

# User Manual

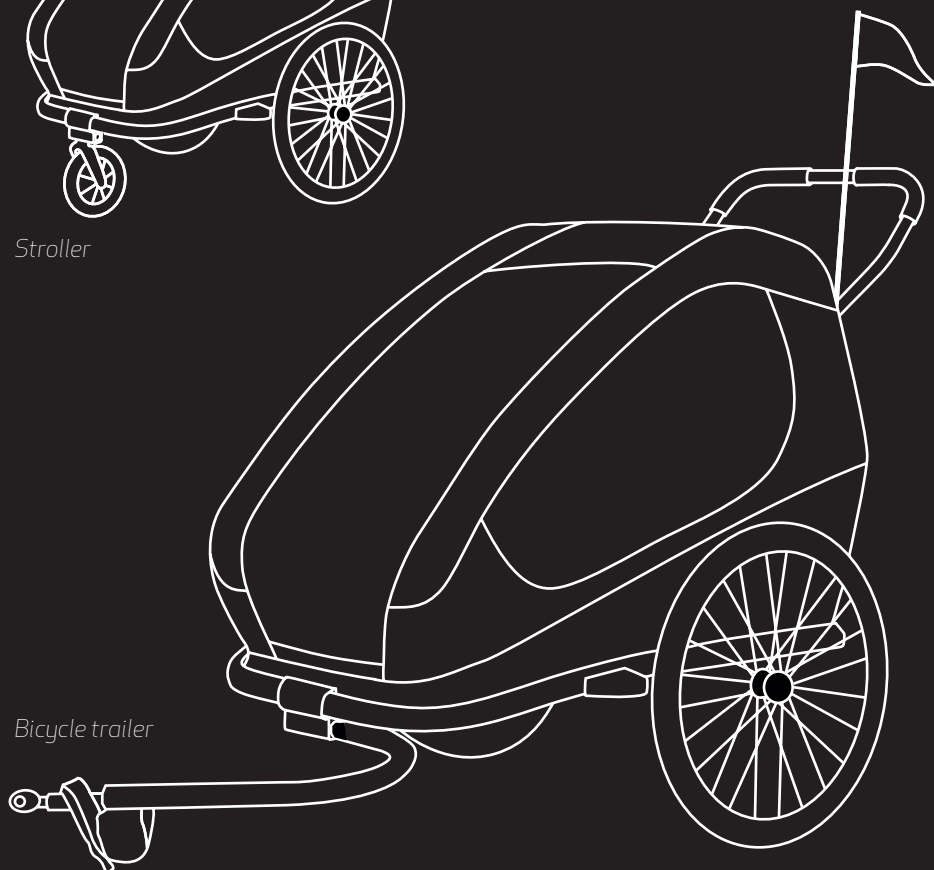


## HAMAX Traveller

*Multifunctional bicycle child trailer including the stroller wheel*



Stroller



Bicycle trailer

## CONTENTS

<b>EN</b>	- English - English	9
<b>NO</b>	- Norwegian - Norsk	15
<b>SV</b>	- Swedish - Svenska	21
<b>NL</b>	- Dutch - Nederlands	27
<b>DE</b>	- German - Deutsch	33
<b>FR</b>	- French - Français	39
<b>PL</b>	- Polish - Polski	45
<b>RU</b>	- Russian - Русский	51
<b>CS</b>	- Czech - Čeština	58
<b>LT</b>	- Lithuanian - Lietuvių	64
<b>SK</b>	- Slovakian - Slovenčina	70
<b>SL</b>	- Slovenian - Slovenščina	76
<b>ES</b>	- Spanish - Español	82
<b>FI</b>	- Finnish - Suomi	88
<b>PT</b>	- Portuguese - Português	94
<b>IT</b>	- Italian - Italiano	100
<b>BG</b>	- Bulgarian - Български	106

<b>HR</b>	- Croatian - Hrvatski	112
<b>HU</b>	- Hungarian - Magyar	118
<b>RO</b>	- Romanian - Română	124
<b>LV</b>	- Latvian - Latviešu valoda	130

1

a



b



c



d



e



2

e

h

g

a

b

c

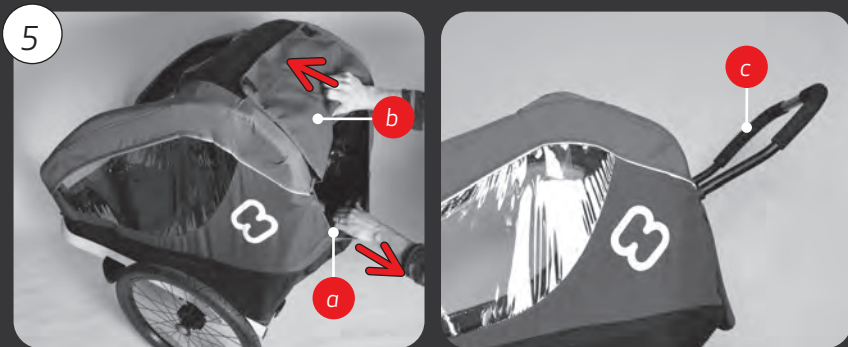
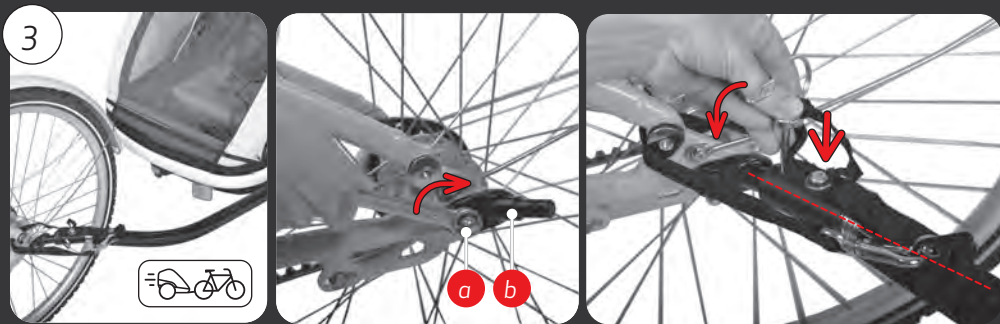
d

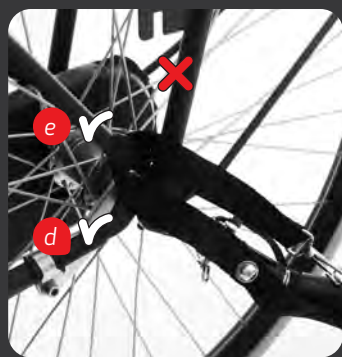
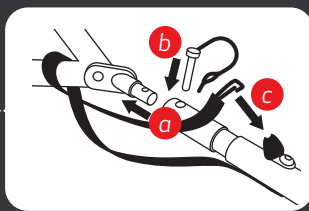
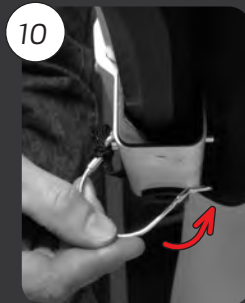
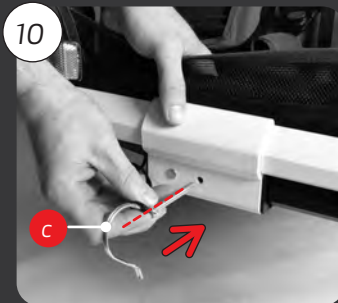
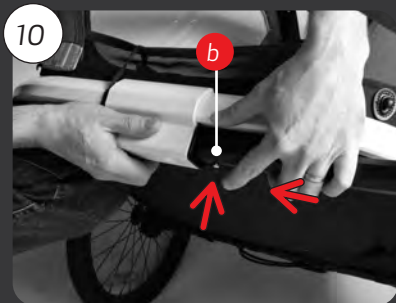
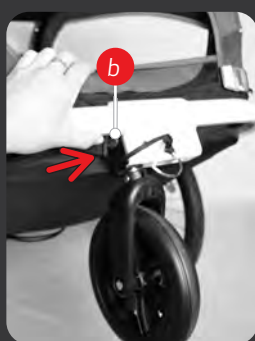
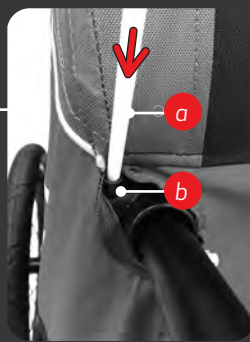
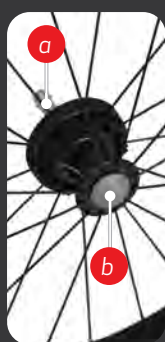
i

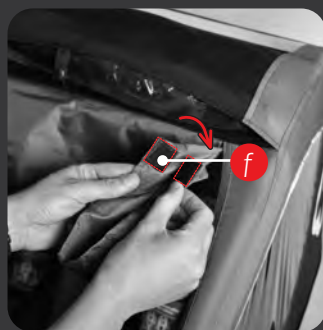
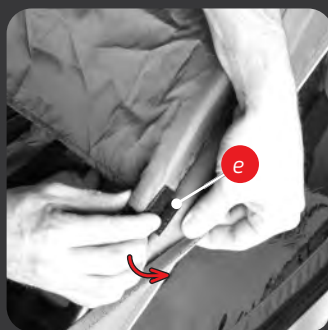
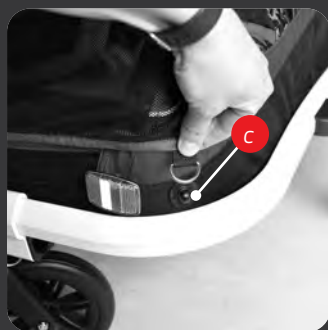
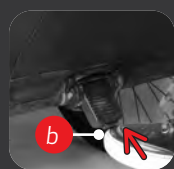
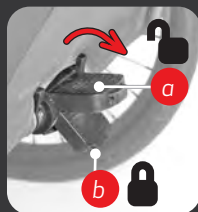
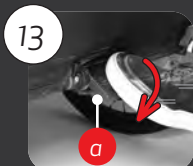
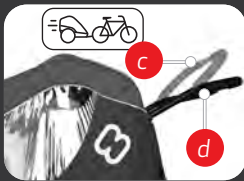
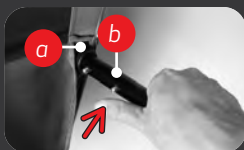
j

f

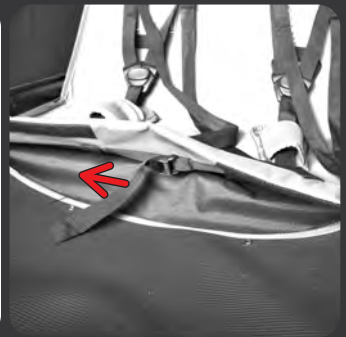
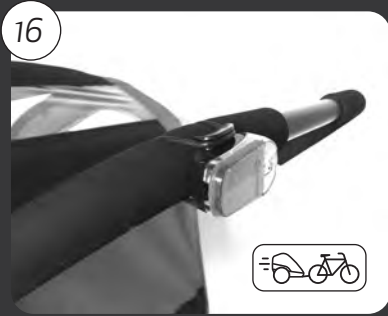
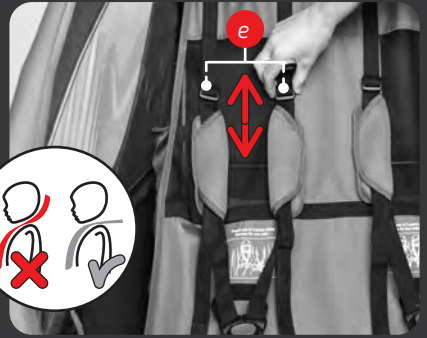












# EN Thank you for choosing the Hamax Traveller multifunctional bicycle child trailer including the stroller wheel

Congratulations on purchasing the Hamax Traveller multifunctional bicycle child trailer including the stroller wheel! You can transport your child in a safe and comfortable way using the Hamax Traveller as a bicycle trailer and stroller. Please read the instructions carefully before assembling or using the Hamax Traveller. We wish you and your children many enjoyable trips!

Keep these instructions in a safe place for later use.

## SPECIFICATIONS

- See the specifications in image [A]
- Folded dimensions (incl. wheel guards): 100 x 74 x 30cm
- Weight trailer (fully assembled trailer incl. bicycle arm): 13kg
- \*\*:To check the drawbar load, measure the weight at the end of the bicycle arm while the trailer is loaded with passengers and cargo. You can measure by standing on a scale, remember your own weight. Stand on the scale with the bicycle arm in your hands. Make sure that you hold the bicycle arm at the correct height. Deduct your own weight and the result is the drawbar load.

A



### Towing speed

Advised speed: 16km/h / 10mph  
Max speed: 24km/h / 15mph



### Drawbar load\*\*

Min: 0kg / 0lb  
Max: 8kg / 17,5lb



### Physical requirements

Min age: 6 months. Max: 22kg / 48,5lb  
Max child height: 117cm / 3,83ft



### Weight capacity

Max load: 47kg / 105lb  
Max weight child: 22kg / 48,5lb  
Max weight incl. trailer: 60kg / 132lb



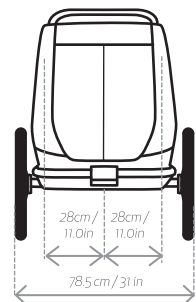
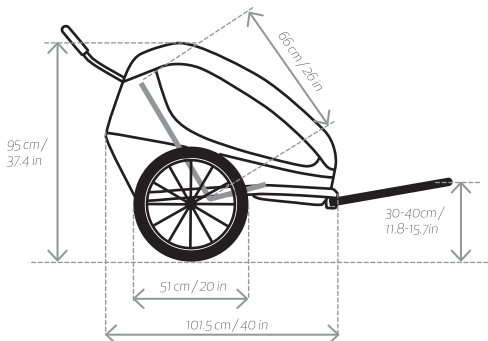
### Luggage

Max: 5kg / 11 lb



### Seating positions

For 1 or 2 children



## SAFETY GUIDELINES

# WARNINGS

- **Important** – Read carefully and keep these instructions for future reference
- This product complies to the European standards for child bicycle trailers and strollers: EN 15918:2011+A2:2017, EN 1888-2:2018
- This seat unit is not suitable for children under 6 months.
- This seat unit is not suitable for children that can not sit without assistance or do not have adequate neck strength. Please check with a pediatrician if you are in doubt.
- Do not use with children who exceed the weight limitations.
- Never leave your child unattended.
- Avoid serious injury from falling or sliding out. Always use the restraint system.
- Passengers should always wear a properly fitted and approved helmet.
- In the US, see CPSC Safety standard for bicycle helmets.
- Towing a trailer will affect the stability of the bicycle and increases the braking distance.
- This trailer is wider than a bicycle. Allow for extra clearance and be aware of a larger turning circle.
- Before each ride, ensure the attached trailer does not interfere with braking, pedaling, or steering of the bicycle.
- Do not allow the child's body or any clothing, shoe laces or toys to come in contact with moving parts.
- Do not install a car seat or any other seating device not approved by the manufacturer.
- Make no modifications to the trailer.
- Never ride a bicycle at night without adequate lighting. Obey all local legal requirements for lighting.
- A reflector that complies with CPSC regulations shall be visible on the rear of the trailer.
- Check tyre pressure before use. Always inflate tyres to the inflation level specified on the outer tyres.
- Do not use cleaning solvents. Clean only with mild soap and water.
- Failure to comply with the manufacturer's instructions can lead to serious injury or death of the passenger/rider.
- Do not let the child play with this product.
- Ensure that all the locking devices are engaged before use.
- Ensure the parking brake is engaged when loading and unloading your children.
- To avoid injury ensure that the child is kept away when unfolding and folding this product.
- This product is not suitable for running or skating.
- Do not use any accessories which are not approved by the manufacturer.
- Only replacement parts supplied or recommended by the manufacturer/distributor shall be used.
- Be aware of exposure hazards such as wind chill and heat exhaustion, either by less-active trailer passengers in prolonged exposure in colder temperatures, or by extended periods in warmer temperatures without adequate ventilation or hydration.
- Unintended use could lead to dangerous situations. Hamax is not liable for any damages caused by unintended use. Any unintended use is at the risk of the user.
- Close the front cover when using the bicycle trailer.
- Do not attach any load to the push bar as it will affect the stability of the trailer.
- Do not store luggage in areas inside or outside the trailer other than in the luggage compartment as it affects the stability of the trailer.
- Don't forget to remove the stroller wheel when you go cycling.



## Bicycle safety

Before connecting the bicycle trailer to your bicycle, ensure your bicycle is suitable for towing a trailer according to the bicycle manufacturer's instruction and is equipped with well functioning brakes. It is recommended that the bicycle to which the trailer will be attached undergoes a safety check by a qualified bicycle mechanic before attaching the trailer. Bicycle trailers pulled by an EPAC can be restricted by law.

## Riding behavior

When towing a trailer, your bicycle behaves heavier and less responsive due to the added weight. Familiarize yourself with this behavior by practicing with a loaded trailer in a quiet area before entering crowded public roads with passengers.

Be aware that due to the weight of the trailer, your bicycle has a longer braking distance. Use caution when driving downhill, as your bicycle will gain speed more rapidly.

Do not exceed the maximum speed specified in this manual and slow down when making turns and on rough roads. Avoid riding over rocks, curbs or other obstacles that may cause the trailer to tip over. Using the trailer in unfavorable weather, road or traffic conditions can result in unsafe situations. Always use good judgement when deciding if conditions are safe to use the trailer.

## High visibility

For optimal visibility and safety in traffic, the multifunctional carrier has front (white), rear (red) and wheel (orange) reflectors. Reflective piping is integrated in the outer fabric. When using the carrier as a bicycle trailer, you also need to apply the orange safety flag for even better visibility [8]. Use the rear light that is included see [16].

## Intended use

- the trailer is intended for transportation of children as specified in this manual on public roads with light traffic, sidewalks and smooth paths. Hamax considers using the trailer in any other way as unintended use, including but not limited to:
- riding with excessive speed
- riding on rough off-road conditions
- using the trailer for commercial purposes
- transporting animals
- storing luggage in areas inside or outside the trailer other than in the trailer's luggage compartment
- towing the trailer by motorized vehicles
- failing to comply with the instructions in this manual

# GETTING STARTED - INSTALLATION

## [1] Packaging content

- Trailer body (1x) [1a]
- Quick release wheel (2x) [1b]
- Bicycle arm (1x) [1c]
- Safety flag (1x) [1d]
- Stroller wheel (1x) [1e]
- User manual Hamax Traveller (1x)

## [2] Product overview

- Push bar [2a]
- Front cover pocket [2b]
- Front cover [2c]
- Seat paddings [2d]
- Stroller wheel attachment [2e]
- Parking brake [2f]
- Wheel guard [2g]
- Bicycle arm attachment [2h]
- Push bar release handle [2i]
- Seat backrest rear [2j]
- Storage space [2k]

## [3] Attaching the hitch on your bicycle

- Remove quick-release or nut [3a] from the left side of your bicycle's rear wheel axle. Place hitch [3b] between quick-release or nut and frame. Put the quick-release or nut back on and tighten according to the bicycle manufacturer's instructions.
- Point the hitch to the rear. Keep the alignment / angle between hitch and bicycle arm as straight as possible.

## [4] Mount the wheel guards

- Place the two wheel guards [4a] in the 2 holes on the side of the frame. Fasten the screw [4b] from the bottom inside of the frame. Use the allen key provided with the wheel guards.

## [5] Unfolding the trailer

- Grab the rear frame [5a] inside the rear storage compartment [2k] and pull it backwards. While doing this you can push the top frame [5b] forward.
- The folding locks [6a] lock automatically and you hear a clicking sound.
- Verify that the folding mechanism is locked by trying to push the rear frame forward.
- Insert the push bar [5c] into the pushbar connection [12a], push the pushbar buttons [12b] and push the pushbar in further until it locks. Place the pushbar in its highest position when you go cycling [12c].

## [6] Folding the trailer

- Remove the pushbar while pushing the buttons [12].
- Pull both folding locks [6a] and push forward the frame until it folds.

- Gently push the top frame down into its folded position and fold the fabrics into the trailer.

### [7] Mounting the quick release wheels

- Ensure that the parking brake is not engaged [2f] and that the wheel axle [7a] is clean.
- Press the push button [7b] and insert the wheel axle into the socket. Verify that the wheel is securely fastened by pulling the wheel.

### [8] Mounting the safety flag

- Place the flag pole [8a] in the hole [8b] next to the push bar. If needed open the luggage compartment in order to find the flag pole hole. Place the flag pole on the side of the bicycle trailer that is most exposed to the road.

## USE

### [9] Using the stroller wheel

- To attach: Insert the pin of the stroller wheel [1e] into the stroller front connection [9a]. Verify that the wheel is securely fastened by pulling the stroller wheel.
- To remove: Push the button [9b] to unlock and pull the stroller wheel [1e] out of the front connection [9a].
- When strolling you can store the bicycle arm [1c] in a backwards position into the bicycle arm attachment [10a] [19]. Don't use the bicycle arm button [10b] in this position.

### [10] Attaching the bicycle arm to the trailer

- Slide the bicycle arm [1c] into the bicycle arm attachment [10a].
- Push the bicycle arm button [10b] and push the arm in further until it clicks.
- Insert the locking pin [10c] in order to make a safe connection. Rotate the locking pin [10c] towards the back and snap it over itself. Pull on the bicycle arm to verify a good connection.

### [11] Attaching the bicycle arm to the bicycle

- Securely attach the bicycle arm & safety strap prior to use. Ensure that the trailer is unloaded when attaching & disconnecting it to/from your bicycle.
- Slide the bicycle arm onto the hitch [11a]. Insert the locking pin [11b] through the hole in bicycle arm and close it. Verify that the bicycle arm is securely fixed by pulling the bicycle arm. Wrap safety strap around the bike frame and fasten the hook to the triangular plate [11c].
- Make sure that you put the safety strap around the chain stay [11d] or seat stay [11e] of your bicycle frame.

**TIP:** When you are not using the bicycle arm you can store it in the trailer

**TIP:** When the safety strap is too long you can wrap it twice around the frame to ensure that the strap does not interfere with any moving part of the rear wheel.

### [12] Adjusting the push bar [2a]

- Take out the pushbar [2a] by pushing the pushbar locking pins [12b] on each side and pull the pushbar out.
- Adjust the pushbar 180 degrees to the desired low [12d] or high position [12c].
- Insert the push bar [5c] into the pushbar connection [12a], push the pushbar buttons [12b] and push the pushbar in further until it locks. Place the pushbar in its highest position when you go cycling [12c].

### [13] Using the parking brake

- To engage: Push the parking brake lever [13a] downwards until the button [13b] pops out and the lever is locked. You may need to move the trailer slightly back and forth for the brake pin near the wheel to find its hole. Always be sure to check if the brake is engaged by pushing the trailer.
- To disengage: Push the release button [13b] with the tip of your foot and the lever [13a] rotates upwards.

### [14] Front covers and shades

- The Traveller has 3 front covers: a plastic cover [14a], a mesh cover [14b] and an additional sun shade [14d]. The plastic and mesh cover can be fixed at the bottom using the hooks just above the frame [14c].
- To fix the sunshade use the velcro pieces [14e]: 4 for short or 6 for full length. To shorten the sunshade [14d], fold it and fix the bottom velcro pieces to the top velcro pieces [14f].
- When not in use, the covers can be stored in the pocket [14g]. Close the pocket using the buttons to prevent the covers from falling out during a ride.

### [15] 5-point safety harness

- Seat your child and guide the arms through the opening between the shoulder [15a] and waist belt [15b]. Check that the shoulder straps are aligned with your child's shoulders. Adjust the height by sliding the buckles [15e] above the headrest up or down.
- Connect the two shoulder strap buckles together and insert them into the buckle [15c] on the crotch strap [15d] until it locks. Adjust the length of the crotch strap and the shoulder belts so that your child is securely tightened. Verify that the safety harness is locked by pulling both shoulder belts.

### [16] Mounting the light

- Rear: Attach the red light on the pushbar [16]
- Place the light on the side of the trailer that is most exposed to the road.

## CARE AND MAINTENANCE

### Check before using the trailer

- The wheels are properly locked to the trailer.
- The tires are inflated according to the specified tire pressure
- The trailer is completely unfolded and the mechanism is locked on both sides. Do not forget to lock the push bar.
- The seat back rest is well secured and tightened. Please see the maintenance section below.
- The safety flag and lights are in place whenever required.

### Storage

- It is highly recommended to store the Traveller trailer indoors, in a dry and well-ventilated area out of direct sunlight.

**TIP:** There is a Hamax storage cover available for better protection.

### Maintenance

- [17] Parking brake [2f]: If the brake does not engage on both wheels or does not fully disengage (the wheel then gives a ticking sound), you need to adjust the parking brake cables using the nut adjusters [18a] at each wheel side underneath the trailer.
- The Traveller bicycle trailer has a replaceable front cover that is attached with velcro in the pocket above the front opening.
- Stroller wheel connection [2e]: If there is dirt inside the stroller wheel connection [2e], rinse it with water.
- Seat base back rest [2j]: For a comfortable and safe seat, regularly tighten the straps [18] at the rear of the seat back rest. Make sure that you start to tighten it at the top and follow by tightening it at the bottom.
- Do not use cleaning solvents. Clean only with mild soap and water.
- The seat paddings [2d] can be removed from the trailer for cleaning purposes. Wash seating by hand or using cold machine wash with a short spin cycle.
- Allow the trailer to dry completely before storing it to prevent it from becoming moldy.
- If the trailer is involved in an accident or is damaged, contact your dealer to check if it can still be used.
- All important components such as: drawbar, connecting device, frame, safety belts, lighting equipment, tires, and wheels, etc. for safe condition; regular verification whether bolted assemblies are well tightened. .

## WARRANTY

The Hamax Traveller Multifunctional Child Carrier is warranted from the date of purchase. The warranty period depends on the law of the country in question. The warranty applies to defects in materials or workmanship, and does not cover damage due to improper use, lack of maintenance, failure to follow the user manual, use of force or normal wear and tear. The warranty is valid for the original user only. Please read the use and maintenance recommendations carefully. Conditions that may cause premature wear of the carrier may not be covered by the warranty. Should the carrier require service or you want to make a warranty claim, please contact your local dealer from whom you purchased your carrier.

## GENERAL INSTRUCTIONS FOR BATTERIES (REAR LIGHT)

- Non-rechargeable batteries must not be charged.
- Remove rechargeable batteries from the item before charging them.
- Different types of batteries as well as old and new batteries must not be used together on the same item.
- Only batteries of the same or equivalent type as specified should be used.
- Please make sure that the batteries are inserted with the correct polarity.
- The supply terminals must not be short-circuited.
- Remove empty batteries from the item.
- It is not allowed to burn empty batteries as they might explode or leak.

### Information concerning the disposal of exhausted batteries



The pictured symbol on the left side on batteries, the packing or the enclosed documents signifies that the batteries should not be disposed of at the end of their life cycle together with the domestic waste. Possible added letters under the waste bin signify that the battery contains lead (Pb), cadmium (Cd) or mercury (Hg). You as consumer are obliged by law to render all kind of batteries (both rechargeable as well as non-rechargeable) inclusive button cells at local places of collection or at the retail market. This is at no charge. The proper disposal enables the recycling of valuable resources and avoids possible negative effects on humans and the environment.

### Information concerning the disposal of old electric and electronic products



The pictured symbol on the product, the packing or the enclosed documents signifies that the product should not be disposed of after the end of its life cycle together with the domestic waste. You as consumer are obliged by law to render electric and electronic products at a local place of collection for electronic equipment. This is at no charge. Please take out the batteries before disposal of the product. The proper disposal enables the recycling of valuable resources and avoids possible negative effects on humans and the environment. For further information please contact your local authority or the vendor of the product.

# NO Takk for at du har valgt Hamax Traveller multifunksjonell sykkelvogn med fronthjul inkludert.

Gratulerer med kjøpet av Hamax Traveller multifunksjonell sykkelvogn med fronthjul inkludert. Med denne kan du frakte barnet/ barna på en trygg og komfortabel måte, enten du bruker den som sykkelvogn eller barnevogn. Les bruksanvisningen nøye før du monterer og bruker sykkelvognen. Vi ønsker deg og barna dine mange hyggelige turer!

Ta godt vare på bruksanvisningen for senere bruk.

## SPESIFIKASJONER

- Se spesifikasjonene i bilde [A]
- Dimensjon sammenlagt (inkl. hjulbeskyttelse): 100 x 74 x 30 cm
- Tilhengervekt montert tilhenger inkl. sykkelarm): 13 kg
- \*\*\*Du kan kontrollere belastningen på trekkstangen ved å måle vekten i enden av sykkelarmen når sykkelvognen er lastet med passasjerer og bagasje. Du kan måle ved å stille deg på en vekt og trekke fra din egen vekt. Still deg på vekten og hold sykkelarmen i hendene dine. Sørg for at du holder sykkelarmen i rett høyde. Trekk fra din egen vekt og resultatet er belastningen på trekkstangen.

A



### Trekkhastighet

Anbefalt hastighet: 16 km/t  
Makshastighet: 24 km/t



### Trekkestangbelastning\*\*

Min.: 0 kg  
Maks.: 8 kg



### Fysiske krav

Minste alder: 6 måneder. Maks: 22 kg  
Barnets maksimale høyde: 117 cm



### Vektkapasitet

Maks last: 47 kg  
Barnets maksimale vekt: 22 kg  
Maks vekt inkludert tilhenger: 60 kg



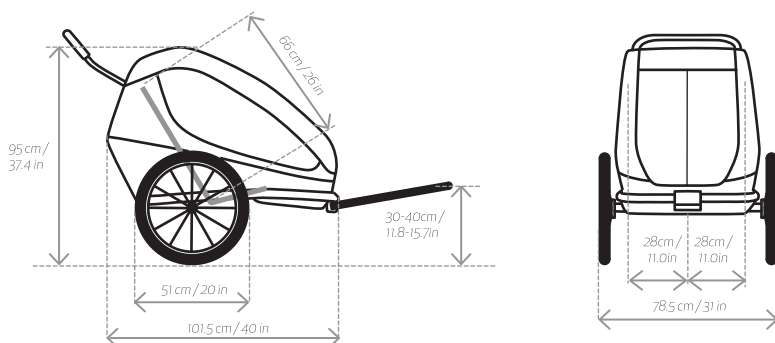
### Bagasje

Maks: 5 kg



### Seteposisjoner

For 1 eller 2 barn



# ADVARSLER

- **Viktig!** Les nøye og oppbevar for fremtidig bruk
- Dette produktet er i samsvar med Europeiske standarder for sykkeltilhengerer for barn og barnevogner: EN 15918:2011+A2:2017, EN 1888-2:2018
- Denne seteenheten er ikke egnet for barn under 6 måneder
- Dette setet er ikke egnet for barn som ikke kan sitte på egen hånd, eller som ikke har tilstrekkelig nakkestyrke. Rådfør med en barnelege hvis du er usikker.
- Må ikke brukes med barn som overskrider vektbegrensningene.
- Aldri etterlat barnet uten tilsyn
- Unngå alvorlige skader som følge av fall eller at barnet sklir ut av sykkelvognen. Bruk alltid sikringssele
- Barn i tilhengeren skal alltid bruke en godt tilpasset og godkjent hjelm.
- Når sykkelvognen trekkes bak sykkel vil dette påvirke sykkelens stabilitet og øke bremselengden.
- Denne tilhengeren er bredere enn sykkelens din. Ta hensyn til denne utvidede bredden og vær klar over at svingradiusen vil være større.
- Før hver tur må du kontrollere at sykkelvognen ikke påvirker funksjonen til bremsen, pedalen eller styringen av sykkel.
- Ikke la noen av barnas kropp, klær, skolisser eller leker få komme i kontakt med bevegelige deler.
- Ikke plasser barneseter til bil eller andre seter som ikke er godkjent av produsenten av denne enheten inne i sykkelvognen.
- Ikke modifier sykkelvognen på noen måte.
- Sykle aldri i mørket uten egnede lykter. Følg alle lokale lovmessige krav med tanke på lys.
- En refleks som er i samsvar med CPSC-reglene skal være synlige bak på sykkelvognen.
- Kontroller dekktrykket før bruk. Sørg alltid for at dekkene er fylt med luft i henhold til dekktrykket som er spesifisert utenpå dekkene.
- Ikke bruk løsemidler. Rengjøres bare med en mild såpe og vann.
- Hvis produsentens instruksjoner ikke følges kan det føre til alvorlige skader eller død for passasjer/rytter.
- La ikke barnet leke med produktet
- Kontroller at alle låsemekanismer er aktivert før bruk
- Kontroller at parkeringsbremsen er aktivert før du setter inn eller tar ut barna dine.
- For å unngå personskade, sørg for å holde barnet ditt på avstand mens du slår opp og slår sammen produktet.
- Dette produktet egner seg ikke for løping eller bruk med rulleskøyter.
- Ikke bruk tilbehør som ikke er godkjent av produsenten.
- Bare reservedeler som leveres av eller anbefales av produsenten/distributøren skal benyttes.
- Vær oppmerksom på farer som kulde eller varme som kan påvirke de mindre aktive passasjerene ved lengre tids opphold i betingelsene, uten tilstrekkelig ventilasjon eller tilførsel av fukt.
- Utisiktet bruk kan føre til farlige situasjoner. Hamax kan ikke holdes ansvarlig for skader som skyldes utisiktet bruk. Enhver utisiktet bruk er på brukerens egen ansvar.
- Lukk frontdekslet når du bruker sykkelvognen.
- Ikke fest noen form for vekt på håndtaket da det vil påvirke stabiliteten til sykkelvognen.
- Ikke oppbevar bagasje på andre steder enn i bagasjerommet da oppbevaring på andre steder i eller utenfor tilhengeren kan påvirke stabiliteten til sykkelvognen.
- Husk å fjerne barnevognhjulet fra frontfestet når vognen brukes til sykling.



## Sykkelsikkerhet

Før du kobler sykkelvognen til sykkelen din, må du kontrollere at sykkelen din er egnet til å trekke en sykkelvogn i henhold til sykkelprodusentens instruksjoner, og at den er utstyrt med velfungerende bremses. Det anbefales at sykkelen som sykkelvognen skal kobles til gjennomgår en sikkerhetssjekk av en kvalifisert sykkelreparatør før sykkelvognen kobles på. Sykkelvogner som trekkes av e-sykler kan ha lovmessige restriksjoner.

## Oppførsel

Når du trekker en sykkelvogn vil sykkelen din oppføre seg som en tynnere sykkel og være reagere tregere på dine bevegelser som følge av sykkelvognene vekt. Gjør deg kjent med denne situasjonen ved å eksperimentere med å kjøre med sykkelvognen på et stille sted først før du beveger deg ut på veien. Vær oppmerksom på at som følge av vekten til sykkelvognen vil sykkelen ha en lengre bremseavstand. Vær forsiktig når du sykler ned bakker, da sykkelen raskere vil få høy hastighet. Ikke kjør raskere enn maksimumshastigheten som er angitt i denne håndboken, og senk farten når du skal svinge og på veier med dårlig underlag. Unngå kjøring over steiner, fortauskanter og andre hindringer som kan føre til at sykkelvognen tipper over. Hvis du bruker sykkelvognen i vær-, vei- eller trafikkforhold som ikke er ideelle, kan det føre til farlige situasjoner. Vurder alltid og forholdene er sikre for bruk av sykkelvognen.

## Høy synlighet

For optimal synlighet og sikkerhet i trafikken har sykkelvognen reflekser foran (hvite), bak (røde) og på hjulene (oransje). Dekkene har også reflekterende striper. Refleksen er integrert som en del av det ytre dekket. Når sykkelvognen brukes som en tilhenger må du også bruke det oransje flagget for bedre synlighet. Bruk baklyset som er inkludert, se [16].

## Tiltent bruk

Sykkelvognen er beregnet på transport av barn på offentlige veier med lett trafikk, gangveier og egnede stier i henhold til instruksjonene i denne håndboken. Hamax betrakter all annen bruk av sykkelvognen som utilsiktet bruk, inkludert men ikke begrenset til:

- Sykling med høy hastighet
- Sykling på veier med off-road-forhold
- Bruk av sykkelvognen til kommersiell bruk
- Transport av dyr
- Oppbevaring av bagasje på andre steder inne eller utenpå vognen annet enn i bagasjerommet
- Trekke sykkelvognen av et motorisert kjøretøy
- Instruksjonene i denne håndboken ikke følges

# KOMME I GANG - INSTALLASJON

## [1] Innhold i pakken

- Tilhengerkarosseri (1x) [1a]
- Hjul med hurtigkobling (2x) [1b]
- Sykkelarm (1x) [1c]
- Sikkerhetsflagg (1x) [1d]
- Barnevognhjul (1x) [1e]
- Brukerhåndbok Hamax Traveller (1x)

## [2] Produktoversikt

- Håndtak [2a]
- Lomme for frontdeksel [2b]
- Frontdeksel [2c]
- Seteputer [2d]
- Tilkoblingspunkt barnevognhjul [2e]
- Parkeringsbrems [2f]
- Hjulbeskytter [2g]
- Tilkoblingspunkt sykkelarm [2h]
- Låsehendel, håndtak [2i]
- Seterydd, bak [2j]
- Bagasjerom [2k]

## [3] Montere festet på sykkelen din

- Fjern hurtigfestet eller mutteren [3a] fra venstre side av sykkelens bakre hjulaksling. Plasser festet [3b] mellom hurtigfestet eller mutteren og rammen. Fest hurtigkoblingen eller mutteren igjen i henhold til sykkelprodusentens instruksjoner.
- Kontroller at vinkelen til festet er korrekt. Hold vinkelen mellom festet og sykkelarmen så rett som mulig.

## [4] Montering av hjulbeskytterne

- Plasser de to hjulbeskytterne [4a] over de 2 hullene på hver side av rammen. Fest skruene [4b] fra undersiden/innsiden av rammen. Bruk medfølgende verktøy.

## [5] Slå opp sykkelvognen

- Ta tak i bakre ramme [5a] inne i bagasjerommet [2k] og trekk denne bakover, mot deg. Samtidig skyver du den øvre rammen [5b] forover.
- Låsemekanismen [6a] går automatisk i lås, og du hører et klikk.
- Kontroller at låsemekanismen er korrekt ved å prøve å skyve den bakre rammen forover.
- Før håndtaket [5c] inn i tilhørende hull [12a], trykk inn knappene [12b] og før håndtaket videre til det låses på plass. Ha alltid håndtaket i høyeste posisjon når du sykler [12c].

#### [6] Legge sammen sykkelvognen

- Fjern håndtaket ved å trykke inn knappene [12] og trekk mot deg.
- Trekk ut låsemekanismene på hver side [6a] og skyv rammen forover.
- Skyv rammen forsiktig ned og pakk samtidig stoffet inn i vognen.

#### [7] Koble på hjulene med hurtigkobling

- Sørg for at parkeringsbremsen ikke er koblet inn [2f] og at hjulakslingen [7a] er ren.
- Trykk inn knappen [7b] og sett hjulakslingen inn i åpningen. Kontroller at hjulet er godt festet ved å prøve å trekke det ut..

#### [8] Montering av sikkerhetsflagget

- Sett flaggstangen [8a] ned i åpningen [8b] ved siden av håndtaket. Hvis nødvendig, kan bagasjerommet åpnes for lettere å finne hullet til flaggstangen. Plasser flagget på den siden av sykkelvognen som vil være nærmest veien.

## BRUK

#### [9] Barnevognhjulet

- **Feste:** Før pinnen i toppen av hjulet [1e] inn i tilkoblingspunktet [9a], og du hører et klikk. Trekk i hjulet for å kontrollere at det er korrekt montert.
- **Fjerne:** Trykk inn knappen [9b] for å frigjøre hjulet [1e] og trekk det ut av tilkoblingspunktet [9a].
- Når du bruker vognen som barnevogn, kan du feste sykkelarmen [1c] i en bakovervendt posisjon i festet for sykkelarm [10a] [19.]  
Bruk ikke sykkelarm-knappen [10b] i denne posisjonen.

#### [10] Feste sykkelarmen til sykkelvognen

- Før sykkelarmen [1c] inn i sykkelarmfestet [10a].
- Trykk inn sykkelarmknappen [10b] og før sykkelarmen videre inn i festet til det klikker på plass.
- Sett inn låsepinnen [10c] gjennomgående for å sikre at armen er festet. Skyv låsepinnens fremre del [10c] bakover slik at den møter pinnen og låser. Trekk i sykkelarmen for å kontrollere at den er korrekt montert.

#### [11] Festing av sykkelarmen til sykkelstammen

- Fest trekkestangen og sikkerhetsstroppen før bruk. Sykkelvognen må være tom når du kobler den til/fra sykkelstammen din.
- Skyv sykkelarmen inn på festet [11a]. Sett låsetappen [11b] inn gjennom hullet i sykkelarmen og lås den. Kontroller at sykkelarmen er godt festet ved å trekke i sykkelarmen. Dra sikkerhetsstroppen rundt sykkelarmen og fest kroken til den trekantete platen [11c].
- Sørg for at du legger sikkerhetsstroppen rundt den nedre [11d] eller øvre bakgaffel [11e] på sykkelrammen din.

**TIPS:** Når du ikke skal bruke sykkelarmen kan du oppbevare den i sykkelvognen

**TIPS:** Hvis sikkerhetsstroppen er for lang kan du trekke den to ganger rundt rammen slik at du kan forsikre deg om den ikke kommer i kontakt med noen av de bevegelige delene av bakhjulet.

#### [12] Justering av håndtaket [2a]

- Fjern håndtaket [2a] ved å trykke inn låseknappene [12b] på hver side og trekk håndtaket ut.
- Snu håndtaket 180 grader til ønsket posisjon, lav [2d] eller høy [12c].
- Før håndtaket [5c] inn i tilhørende hull [12a], trykk inn knappene [12b] og før håndtaket videre til det låses på plass. Ha alltid håndtaket i høyeste posisjon når du sykler [12c].

#### [13] Parkeringsbrems

- **Aktivering:** Trykk på parkeringsbremsen [13a] inntil knappen i front [13b] spretter ut og pedalen er låst. Det kan hende at du må skyve vognen litt frem og tilbake for at bremsetappen ved hjulet finner sin plassering. Kontrollér alltid at bremsen er koblet inn ved å skyve på vognen.
- **Utkobling:** Skyv inn utløserknappen [13b] med foten og pedalen [13a] frigjøres til ulåst posisjon.

#### [14] Frontdeksel og solskjerming

- Traveller har et frontdeksel i plast [14a], et insektsnett [14b] og en ekstra solbeskyttelse [14d]. Frontdekselet og insektsnettet festes nederst ved hjelp av ringer som festes i tilhørende kroker rett ovenfor rammen [14c].
- Solbeskyttelsen er festet ved hjelp av borrelås [14e] - 4 for kort versjon og 6 for full lengde. For å korte inn solskjermingen [14d], brett den opp og fest den nederste borrelåsen til det øverste festet på vognen [14f].
- Når de ikke er i bruk, kan dekslene lagres i en lomme øverst på vognen [14g]. Lukk lommen med trykkknappene for å hindre at dekslene faller ut når vognen er i bruk.

#### [15] 5-punkts sikkerhetsbeltet

- Plasser barnet og før armene inn i åpningen mellom skulderstroppen [15a] og hoftebelte [15b]. Kontroller at skulderstroppene er på høyde med barnets skuldre. Juster høyden ved å skyve spennene [15e] over hodestøtten opp eller ned.
- Fest spennene fra skulderstroppen og hoftebelte til midtspenne [15c] på skrittstroppen [15d] helt til du føler at den klikker på plass. Reduser lengden på skrittstroppen, skulderstroppene og hoftebelte slik at barnet er godt festet. Kontroller at sikkerhetsbeltet er låst ved å trekke i både skulderstroppen og hoftebelte.

### [16] Montering av lysene

- Plasser lysene på den siden av sykkelvognen som vil være nærmest veien.
- Bak: Fest det røde lyset på håndtaket [16].

## BRUK OG VEDLIKEHOLD

### Kontrolleres før du bruker sykkelvognen

- At hjulene er korrekt festet på sykkelvognen.
- At dekkene er fylt opp til angitt dekktrykk
- At sykkelvognen er foldet ut korrekt og at låsemekanismen er låst på begge sider. Ikke glem å låse håndtaket.
- At seteryggen er godt festet og sikret. Se vedlikeholdsinstruksjonen.
- At sikkerhetsflagget og lysene er på plass når det er behov for det.
- At alle viktige komponenter som sykkelarm, feste, ramme, sikkerhetsbelter, lys, dekk og hjul etc. er i en korrekt og trygg tilstand. Sjekk jevnlig at alle skruer er godt festet.

### Oppbevaring

- Det anbefales at Traveller oppbevares innendørs på et tørt og godt ventilert sted, utenfor direkte sollys.

**TIPS:** Det finnes et eget oppbevaringsdeksel fra Hamax for bedre beskyttelse.

### Vedlikehold

- [17] Parkeringsbrems [2f]: Dersom bremsen ikke aktiveres på begge hjul eller ikke kobles ut som beskrevet (hjulet gir en tikkende lyd), må du justere bremsekabelen ved å skru på kabeljusteringen [18a] ved hvert hjul på undersiden av vognen.
- Traveller sykkelvogn har et utskiftbart frontdeksel som er festet i en lomme over vognens åpning. Dekselet er festet med borrelås inne i lommen under stoffet og med trykknapper på sidene.
- Festet til barevognhjul [2e]: Dersom det er skitt/støv inne i festet for barnevognhjulet, kan dette skylles ut med vann.
- Seteryggen [2j]: Stram med jevne mellomrom til stroppene [18] bak på seteryggen. Sørg for at du starter strammingen på toppen og deretter ved å stramme til i bunnen.
- Ikke bruk løsemidler. Rengjøres bare med en mild såpe og vann.
- Seteputene [2d] kan tas ut for rengjøring. Vask seteputene for hånd eller i en kald maskinvask med en kort sentrifugering.
- La sykkelvognen tørke helt før den settes bort for lagring for å unngå muggdannelse.
- Hvis sykkelvognen er involvert i en ulykke eller skades, må du ta kontakt med forhandleren slik at de kan kontrollere om den fortsatt kan benyttes..
- At alle viktige komponenter som sykkelarm, feste, ramme, sikkerhetsbelter, lys, dekk og hjul etc. er i en korrekt og trygg tilstand. Sjekk jevnlig at alle skruer er godt festet.

## GARANTI

Hamax Traveller sykkelvogn garanteres fra kjøpsdato. Garantiperioden avhenger av det aktuelle landets lovgivning. Garantien gjelder defekter relatert til materialer eller arbeid, og dekker ikke skader som skyldes feilaktig bruk, manglende vedlikehold, at brukerhåndboken ikke følges, bruk av makt eller normal slitasje. Garantien er kun gyldig for den originale brukeren. Les igjennom og bruk vedlikeholdsanbefalingene nøye. Enkelte betingelser som kan føre til økt slitasje på sykkelvognen dekkes ikke av garantien. Hvis det er behov for service på sykkelvognen eller hvis du ønsker å komme med et garantikrav må du ta kontakt med utsalgsstedet.

## GENERELLE INSTRUKSJONER VEDRØRENDE BATTERIER

- Ikke-oppladbare batterier må ikke lades.
- Fjern oppladbare batterier fra produktet før de lades.
- Ulike typer batterier, så vel som gamle og nye batterier, må ikke brukes sammen på det samme produktet.
- Kun batterier av samme eller tilsvarende type som spesifisert må brukes.
- Forsikre deg om at batteriene settes inn med korrekt polaritet.
- Strømforsyningsenhetene må ikke kortsluttes.
- Fjern tomme batterier fra produktet.
- Det er ikke tillatt å brenne tomme batterier da de kan eksplodere eller lekke.

### Informasjon vedrørende avfallshåndtering av brukte batterier



Symbolet til venstre trykket på batterier, forpakning eller på medfølgende dokumenter betyr at utbrukte batterier ikke skal kastes i restavfall sammen med husholdningsavfall. Dersom bokstaver er lagt til under tegningen av en søppelkasse med kryss over, betyr det at batteriene inneholder bly (Pb), kadmium (Cd) eller kvikksølv (Hg). Som forbruker er du pliktig etter loven til å levere alle typer batterier (både oppladbare og ikke oppladbare) inklusiv knappcelle-batterier på lokale innsamlingsstasjoner eller hos forhandlere av slike produkter. Dette er kostnadsfritt. Riktig avfallshåndtering gjør resirkulering av verdifulle ressurser mulig og man unngår mulige negative effekter på mennesker og miljø.

### Informasjon vedrørende avfallshåndtering av eldre elektriske og elektroniske produkter



Dette symbolet trykket på et produkt, forpakning eller medfølgende dokumenter betyr at produktet ikke skal kastes i restavfall sammen med husholdningsavfall. Som forbruker er du pliktig etter loven til å levere alle typer elektriske og elektroniske produkter på lokale innsamlingsstasjoner for elektronisk utstyr. Dette er kostnadsfritt. Vennligst ta ut batteriene før du kaster produktet. Riktig avfallshåndtering gjør resirkulering av verdifulle ressurser mulig og man unngår mulige negative effekter på mennesker og miljø. For ytterligere informasjon, vennligst kontakt din lokale myndighet eller forhandler av produktet.

# SV Tack för att du valde Hamax Traveller universalcykelvagn inklusive sittvagnshjul

Vi hoppas du ska få mycket glädje av din Hamax Traveller universalcykelvagn inklusive sittvagnshjul. Med cykelvagnen kan du tryggt och säkert transportera ditt barn. Hamax Traveller kan användas som cykelvagn eller sittvagn. Läs noga igenom instruktionerna före montering eller användning av Hamax Traveller. Vi hoppas att du och barnen får många härliga resor!

Förvara bruksanvisningen på en säker plats för senare bruk.

## SPECIFIKATIONER

- Se specifikationerna i bild [A]
- Mått hopfärd (inkl. hjulskydd): 100 x 74 x 30 cm
- Vagnens vikt (monterad cykelvagn inkl. cykelarm): 13 kg
- \*\*\*För att kontrollera dragstångsbelastningen mäter man vikten i slutet av cykelarmen när vagnen är lastad med passagerare och last. Du kan utföra mätningen genom att ställa dig på en väg, kom ihåg din egen vikt. Ställ dig på vägen och håll cykelarmen i händerna. Se till att du håller cykelarmen i rätt höjd. Dra från din egen vikt från resultatet, slutresultatet är dragstångsbelastningen.

A



### Draghastighet

Rekommenderad hastighet: 16 km/h  
Maxhastighet: 24 km/h



### Dragstångsbelastning\*\*\*

Min: 0 kg  
Max: 8 kg



### Fysiska krav

Lägsta ålder: 6 månader. Max: 22 kg  
Barnets maximala längd: 117 cm



### Viktkapacitet

Max last: 47 kg / 105 lb  
Barnets maximala vikt: 22 kg / 48,5 lb  
Max vikt inkl. vagn: 60 kg / 132 lb



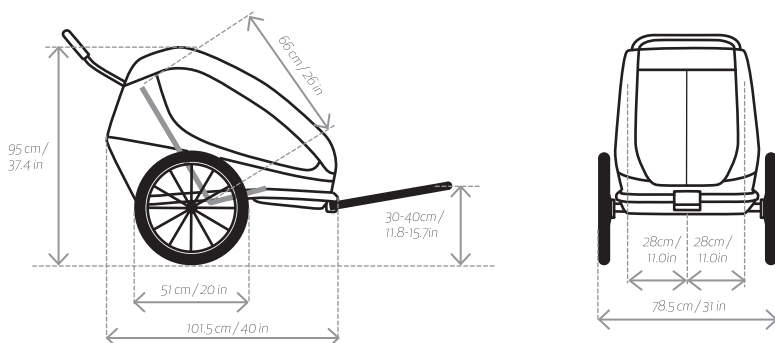
### Bagage

Max: 5 kg



### Sättespositioner

För 1 eller 2 barn



## VARNINGAR



# VARNINGAR

- **Viktigt** – Läs noggrant och spara för framtida bruk
- Denna produkt uppfyller europeiska standarder för cykelvagnar till barn och sittvagnar: EN 15918:2011+A2:2017, EN 1888-2:2018,
- Denna sittdel är inte lämplig för barn under 6 månader.
- Detta säte är inte lämpligt för barn som inte kan sitta utan hjälp eller som inte har tillräcklig styrka i nacken. Om du är tveksam, rådfråga en barnläkare.
- Får inte användas av barn som överstiger viktbegränsningarna.
- Lämna aldrig barnet utan uppsikt.
- Undvik allvarliga skador, t.ex. att barnet faller eller glider ut ur vagnen. Använd alltid bältessystemet.
- Passagerare ska alltid använda hjälm som är godkänd och sitter på rätt sätt.
- När cykelvagnen dras bakom en cykel påverkas cykelns stabilitet och bromssträckan blir längre.
- Tänk på att vagnen är bredare än cykeln. Tänk på att ta ut avstånden och tänk på att svängradien är större.
- Innan du börjar cykla ska du kontrollera att vagnen inte förhindrar bromsning, pedalernas rörelser och styrningen av cykeln.
- Låt inte barnet, dess kläder, skor/skosnören eller leksaker komma i kontakt med rörliga delar.
- Montera inte in bilbarnstol eller något annat säte som inte är godkänt av tillverkaren.
- Det är inte tillåtet att modifiera vagnen.
- Cykla aldrig i mörker utan fullgod belysning. Följ lokala bestämmelser rörande cykelbelysning.
- På vagnens baksida ska det finnas en synlig reflex som uppfyller CPSC-bestämmelserna.
- Kontrollera ringtrycket innan du använder vagnen. Däcken ska alltid ha det ringtryck som anges på däckets utsida.
- Använd inte lösningsmedel. Rengör endast med mild såpa och vatten.
- Om man inte följer tillverkarens anvisningar kan det leda till allvarliga skador eller dödsfall för passagerare/cyklist.
- Låt inte barnet leka med denna produkt.
- Se till att alla låsanordningar är spärrade innan du använder vagnen
- Kontrollera att parkeringsbromsen är aktiverad när barn sätts i eller tas ur från vagnen.
- För att undvika skada, se till att barnet är ur vägen när du faller ut och ihop denna produkt.
- Denna produkt är inte lämplig för att springa eller åka inlines med.
- Använd inte tillbehör som inte har godkänts av tillverkaren.
- Använd endast reservdelar som levereras eller rekommenderas av tillverkaren/distributören.
- Var uppmärksam på yttre risker, som t.ex. vindavkylning och värmeutmattning, hos mindre aktiva passagerare som kanske utsätts för låga eller höga temperaturer under en längre tid, utan tillräcklig ventilation eller vätskeintag.
- Felaktig användning kan leda till farliga situationer. Hamax kan inte hållas ansvariga för skador som orsakas av felaktig användning. Ev. felaktig användning sker på användarens ansvar.
- Det främre skyddet ska vara stängt när man använder cykelvagnen.
- Belasta inte tryckstängen, det kommer att påverka vagnens stabilitet.
- Förvara inte bagage inne i eller på utsidan av vagnen, annat än i bagageutrymmet, felaktig lastning påverkar cykelvagnens stabilitet.
- Glöm inte att ta bort svänghjulet när du cyklar.



## Cykelsäkerhet

Innan du kopplar till cykelvagnen på cykeln ska du kontrollera att cykeln lämpar sig för att dra cykelvagn enligt tillverkarens instruktioner och att den är utrustad med bra fungerande bromsar. Cykeln som används för att dra cykelvagnen bör ha genomgått en säkerhetskontroll, utförd av en behörig cykeltekniker innan cykelvagnen kopplas på. Cykelvagnar som dras av en EPAC kan vara begränsade enligt lag.

## Cykelteknik

När man cyklar med cykelvagn blir cykeln tyngre och ger sämre respons, detta beror på cykelvagnens tyngd. Bekanta dig med din cykels nya agerande genom att experimentera med olika last i vagnen i en lugn miljö, innan du ger dig ut i trafiken.

Tänk på att cykelvagnens vikt innebär att cykelns bromssträcka blir längre. Var försiktig när du cyklar i nedförsbacke, cykeln kommer snabbt att få upp hög hastighet.

Överskrid inte den maximala hastigheten som anges i bruksanvisningen och tänk på att sänka hastigheten när du ska svänga eller cyklar på ojämna vägar. Undvik att köra över stenar, kantsten eller andra hinder som kan orsaka att vagnen välter. Det kan orsaka farliga situationer om man använder vagnen i dåligt väder och i svåra väg- eller trafikförhållanden. Använd alltid sunt förnuft när du avgör om förhållandena är säkra för att använda vagnen.

## Hög synlighet

För bästa möjliga synlighet och trafiksäkerhet har cykelvagnen reflexer fram (vit) och bak (orange). Dessutom har däcken reflexlinjer. Reflekterande rör har sytts in i det yttre tyget. När vagnen används som cykelvagn ska den även utrustas med en orange vimpel för att ge ökad synlighet. Använd bakljuset som medföljer, se [16].

## Avsedd användning

Vagnen är avsedd för transport av barn, så som anges i bruksanvisningen, på allmänna vägar med lättare trafik, gångbanor och jämna gångvägar. Hamax ser all annan användning av vagnen som felaktig användning, inklusive, men inte begränsat till:

- köra i för hög hastighet
- köra i terrängförhållanden "offroad"
- använda vagnen i kommersiellt syfte
- transport av djur
- förvaring av bagage i eller utanpå vagnen, annat än i bagageutrymmet
- dra vagnen bakom ett motordrivet fordon
- underlåta att följa instruktionerna i denna bruksanvisning

## KOMMA IGÅNG - MONTERING

### [1] Förpackningens innehåll

- Vagnkaross (1x) [1a]
- Hjul med snabbfäste (2x) [1b]
- Cykelarm (1x) [1c]
- Säkerhetsvimpel (1x) [1d]
- Sittvagnshjul (1x) [1e]
- Bruksanvisning Hamax Traveller (1x)

### [2] Produktöversikt

- Tryckstång [2a]
- Ficka för främre skydd [2b]
- Främre skydd [2c]
- Sittdynor [2d]
- Sittvagnshjul med snabbfäste [2e]
- Parkeringsbroms [2f]
- Hjulskydd [2g]
- Fästet till cykelarm [2h]
- Tryckstång, frigöringshandtag [2i]
- Bakre sätesryggstöd [2j]
- Förvaringsutrymme [2k]

### [3] Montering av kroken på din cykel

- Ta bort snabbkopplingen eller muttern [3a] från den vänstra sidan av cykelns bakre hjulaxel. Placera kroken [3b] mellan snabbfästet eller mutter och ram. Spänn snabbfäste eller mutter i enlighet med cykeltillverkarens uppgifter.
- Kontrollera att krockens riktning är korrekt. Håll riktningen/vinkel mellan kroken och cykelarmen så rak som möjligt.

### [4] Montera hjulskyddens

- Placera de två skydden [4a] i de två hålen på sidan av ramen. Fäst skruven [4b] från insidan av ramens botten. Använd insexnyckeln som medföljer hjulskydden.

### [5] Uppfällning av vagnen

- Fatta tag i den bakre delen av ramen [5a] inuti förvaringsutrymmet [2k] och dra den bakåt. När du gör det kan du skjuta den övre delen av ramen [5b] framåt.
- Hopfällningslåsen [6a] låses automatiskt och du kan höra ett klick.
- Bekräfta att hopfällningsmekanismen är låst genom att försöka skjuta den bakre delen av ramen framåt.
- För in tryckstången [5c] i skjutstångsanslutningen [12a], tryck på tryckstångsknapparna [12b] och skjut in tryckstången tills den låses fast. Placera tryckstången i det högsta läget när du cyklar [12c].

### [6] Fälla samman vagnen

- Ta bort tryckstången samtidigt som du håller in knapparna [12].

- Dra i båda hopfällningslåsen [6a] och skjut ramen framåt tills den fälls ihop.
- Skjut försiktigt ihop den övre delen av ramen till dess hopfällda läge och vik in tyget i cykelvagnen.

#### [7] Montering av hjul med snabbfäste

- Kontrollera att parkeringsbromsen är frikopplad [2f].
- Glöm inte att ta bort hatten som skyddar hjulaxeln samt säkerställer att där är rent [7a]. Tryck på knappen [7b] och för in hjulaxeln i hylsan. Kontrollera att hjulet sitter ordentligt fast genom att dra i hjulet.

#### [8] Montering av säkerhetsvimpel

- Placera flaggstängens [8a] i hålet [8b] bredvid tryckstängens. Om det behövs kan du öppna bagageutrymmet för att lättare se hålet för flaggstängens. Placera flaggstängens på cykelvagnens sida närmast vägen.

## ANVÄNDNING

#### [9] Använda barnvagnshjulet

- **Montering:** För in sittvagnshjulets pinne [1e] i den främre kopplingen på sittvagnen [9a]. Dra i sittvagnshjulet för att säkerställa att det sitter fast ordentligt.
- **Borttagning:** Tryck på knappen [9b] för att låsa upp och dra ut sittvagnshjulet [1e] ur den främre kopplingen [9a].
- När du går med sittvagnen kan du förvara cykelarmen [1c] i bakvänt läge i cykelarmens fäste [10a] [19]. Du ska inte använda cykelarmknappen [10b] i den här positionen.

#### [10] Användning av cykelarmen på vagnen

- Skjut in cykelarmen [1c] i cykelarmens fäste [10a].
- Tryck på cykelarmknappen [10b] och skjut in armen tills ett klick hörs.
- För in låspinnen [10c] för att låsa kopplingen. Roter låspinnen [10c] bakåt och vik den över sig själv. Dra i cykelarmen för att säkerställa att den sitter fast ordentligt.

#### [11] Montera cykelarmen på cykeln

- Fäst fast dragstång och säkerhetsrem ordentligt före användning. Vagnen ska var olastad när den hängs på eller tas bort från cykeln.
- För på cykelarmen på kroken [11a]. Montera spärrstiftet [11b] genom hålet på cykelarmen och lås fast. Kontrollera att cykelarmen sitter ordentligt fast genom att dra i den. Linda säkerhetsremmen runt cykelramen och spänn fast kroken i den triangulära plattan [11c].
- Placera säkerhetsremmen runt cykelarmens kedjestag [11d] eller sadelstag [11e].

**TIPS!** När cykelarmen inte ska användas kan den förvaras i vagnen.

**TIPS!** Om säkerhetsremmen är för lång kan man linda den dubbelt runt ramen så att remmen inte påverkar bakhjulets rörliga delar.

#### [12] Justering av tryckstång [2a]

- Ta ut tryckstången [2a] genom att trycka på tryckstångens låspinnar [12b] på vardera sida och dra sedan ut tryckstången.
- Justera tryckstången 180 grader till önskat lågt [12d] eller högt läge [12c].
- För in tryckstången [5c] i skjutstångsanslutningen [12a], tryck på tryckstångsknapparna [12b] och skjut in tryckstången tills den låses fast. Placera tryckstången i det högsta läget när du cyklar [12c].

#### [13] Använda parkeringsbromsen

- **Koppla in:** Tryck parkeringsbromsspaken [13a] nedåt tills knappen [13b] hoppar ut och spaken låses fast. Du kan behöva rulla cykelvagnen lite bakåt och framåt för att bromspinnen nära hjulet ska hamna i hålet. Kom alltid ihåg att kontrollera om bromsen är inkopplad genom att försöka rulla cykelvagnen.
- **Att frigöra:** Tryck på frigöringsknappen [13b] med foten, spaken [13a] roterar då uppåt.

#### [14] Främre skydd och solskydd

- Traveller har tre främre skydd: ett plastskydd [14a], ett nätskydd [14b] och ett extra solskydd [14d]. Skydden i plast och nät kan sättas fast i underdelen med hjälp av kroken som sitter precis ovanför ramen [14c].
- För att fixera solskyddet: Använd kardborre [14e] 4 för kort och 6 för full längd. För att korta solskyddet, vik det dubbelt och fäst kardborre från botten med toppen [14f].
- När skydden inte används: Främre skyddet av plast kan förvaras i en ficka under vagnens topp. Nätskyddet [14b] och solskyddet [14d] kan förvaras under plastskyddet [14g]. Stäng fickan med hjälp av knapparna för att säkerställa att skydden inte faller ner oönskat under färd.

#### [15] 5-punkts säkerhetsbälte

- Placera barnet och för armarna genom öppningen mellan axel- [15a] och midjebälte [15b]. Kontrollera att axelbältena är i linje med barnets axlar. Justera höjden genom att dra i spännena [15e], ovanför huvudskyddet, upp eller ner.
- Koppla ihop de två axelbältena med varandra och för dem tillsammans in i låset [15c] på grenbandet [15d] tills de låses fast. Reducera mängden bälte i grenbandet och axelbältena så ert barn sitter säkert fastspänt. Säkerställ att internbältet är låset

genom att dra i bägge axelbälten.

#### [16] Montering av LED-lampor

- Placera lamporna på vagnens sida som är närmast vägen.
- Bak: Montera den röda lampan på tryckstången [16].

## VÅRD OCH UNDERHÅLL

### Kontrollera detta innan vagnen används

- Hjulen korrekt monterade på vagnen.
- Däcken har rätt ringtryck, enligt angivet ringtryck
- Vagnen är helt uppfälld och mekanismen är låst på båda sidor. Glöm inte att spärra tryckstången.
- Sätets ryggstöd är spänt och säkrat. Läs underhållsavsnittet.
- Säkerhetsvimpeln och belysning ska användas när så krävs.
- Att alla viktiga komponenter såsom dragstång, kopplingsanordning, ram, säkerhetsbälten, belysning, däck och hjul är i ett säkert skick. Kontrollera regelbundet att fastskruvade komponenter är ordentligt åtdragna.

### Förvaring

- Traveller-vagnen bör förvaras inomhus, på en torr och välventilerad plats, skyddad från direkt solljus.

**TIPS!** För att skydda vagnen ytterligare finns även ett Hamax förvaringsskydd.

### Underhåll

- [17] Parkeringsbroms [2f]: Om bromsen inte aktiveras på både hjulen eller inte frigörs helt (hjulet avger ett tickande ljud) måste du justera parkeringsbromsens kablar med hjälp av justermuttrarna [18a] på varje hjulsida under cykelvagnen.
- Traveller-cykelvagnen har ett utbytbart främre skydd som fästs med kardborreband i fickan ovanför den främre öppningen.
- Koppling för sittvagnshjul [2e]: Om det förekommer smuts inuti sittvagnshjulets koppling [2e] ska du spola med vatten.
- Sittdynans ryggstöd [2j]: För en bekvämt och säker sits ska du regelbundet spänna remmarna [19] på baksidan av sitsens ryggstöd. Börja spänna remmarna uppför och fortsätt därefter neråt.
- Använd inte lösningsmedel. Rengör endast med mild såpa och vatten.
- För rengöring kan sittdynan [2d] tas bort från vagnen. Tvätta sätet för hand eller i tvättmaskin på kallt tvättprogram med kort centrifugering.
- Låt vagnen torka helt innan den ställs undan för förvaring, detta för att förhindra att den möglar.
- Om vagnen råkar ut för en olycka eller skadas ska du kontakta din återförsäljare för att kontrollera att sitsen fortfarande kan användas.

## GARANTI

Din Hamax Traveller universalcykelvagn till barn omfattas av normal produktgaranti som gäller från inköpsdagen. Garantins omfattning regleras av gällande lagar. Garantin omfattar materialdefekter och tillverkningsfel. Garantin omfattar inte skador som uppkommer på grund av felaktig användning, bristande underhåll, underlåtelse att följa instruktionerna i bruksanvisningen och normalt slitage. Garantin gäller endast för den som köper/använder vagnen. Läs noga igenom alla anvisningar rörande användning och underhåll. Förhållanden som kan orsaka överdrivet slitage på vagnen omfattas inte av garantin. Om vagnen behöver servas eller om du har ett garantianspråk ber vi dig kontakta din återförsäljare.

## ALLMÄNNA INSTRUKTIONER FÖR BATTERIER

- Ej laddningsbara batterier får inte laddas.
- Plocka ut laddningsbara batterier ur föremålet innan du laddar dem.
- Olika typer av batterier samt gamla och nya batterier får inte användas tillsammans i samma föremål.
- Endast batterier av samma eller motsvarande typ enligt specifikationerna ska användas.
- Se till att batterierna sätts in åt rätt håll.
- Kontakterna får inte kortslutas.
- Plocka ut urladdade batterier ur föremålet.
- Det är inte tillåtet att bränna urladdade batterier då det kan leda till explosion eller läckage.

### Information om kassering av förbrukade batterier



Symbolen på vänster sida av batterierna, på förpackningen eller de medföljande dokumenten innebär att batterierna inte får kastas tillsammans med hushållsavfallet efter att de förbrukats. Eventuella extra bokstäver under papperskorgen kan innebära att batteriet innehåller bly (Pb), kadmium (Cd) eller kvicksilver (Hg). Du som konsument är skyldig enligt lag att lämna alla sorters batterier (både laddningsbara och ej laddningsbara), inklusive knappbatterier till lokala insamlingsställen eller till återförsäljaren. Detta är gratis att göra. Korrekt kassering möjliggör återvinning av värdefulla resurser och undviker negativa effekter på människor och miljön.

### Information om kassering av gamla elektriska och elektroniska produkter



Symbolen på produkten, på förpackningen eller de medföljande dokumenten innebär att produkten inte får kastas med hushållsavfallet efter att den förbrukats. Du som konsument är skyldig enligt lag att lämna alla elektriska och elektroniska produkter till ett lokalt insamlingsställe för elektronisk utrustning. Detta är gratis att göra. Plocka ut batterierna innan du kasserar produkten. Korrekt kassering möjliggör återvinning av värdefulla resurser och undviker negativa effekter på människor och miljön. För mer information, kontakta din lokala myndighet eller försäljaren av produkten.

# NL Bedankt dat u kiest voor de Hamax Traveller multifunctionele fietskar inclusief wandel voorwiel

Gefeliciteerd met uw aankoop van de Hamax Traveller multifunctionele fietskar inclusief wandel voorwiel. U kunt uw kind op een veilige en comfortabele manier in de Hamax Traveller vervoeren als fietskar of kinderwagen. Lees deze instructies alstublieft zorgvuldig alvorens de Hamax Traveller te monteren of gebruiken. Wij wensen u en uw kinderen veel plezierige ritten toe!

Bewaar deze handleiding als naslagwerk voor de toekomst.

## SPECIFICATIES

- Zie de specificaties in afbeelding [A]
- Opgevouwen afmetingen (incl. wielbumpers): 100 x 74 x 30cm
- Gewicht fietskar: 13 kg (volledig geassembleerde fietskar incl. trekarm)
- \*\*\*Het trekarmgewicht kan gemeten worden door het gewicht van de met mensen en bagage beladen fietskar te meten aan het einde van de trekarm. U kunt dit meten door op een weegschaal te gaan staan, onthoud uw eigen gewicht. Meet vervolgens uw gewicht met de trekarm in uw hand. Zorg ervoor dat u de trekarm op de juiste hoogte vasthoudt. Trek uw eigen gewicht hier vanaf en dit is het trekarmgewicht.

A



### Fietssnelheid

Geadviseerde snelheid: 16km/uur / 10mph  
Max snelheid: 24km/uur / 15mph



### Trekarmgewicht\*\*\*

Min: 0kg / 0lb  
Max: 8kg / 17,5lb



### Fysieke eisen aan het kind

Min leeftijd: 6 maanden, Max: 22 kg  
Max hoogte kind: 117cm



### Draagvermogen

Max laadgewicht: 47kg  
Max gewicht kind: 22kg  
Max gewicht incl. fietskar: 60kg



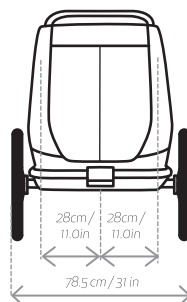
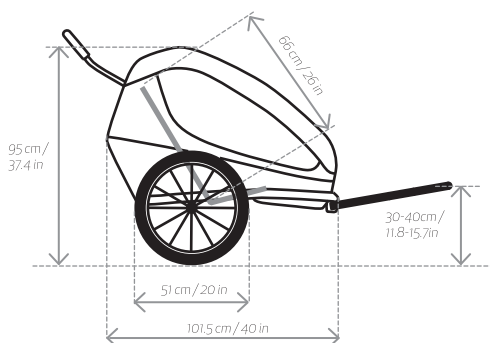
### Bagage

Max: 5 kg



### Zitposities

Voor 1 of 2 kinderen



# WAARSCHUWINGEN

- **Belangrijk:** Lees zorgvuldig en bewaar voor latere raadpleging.
- Dit product voldoet aan de Europese standaarden voor fietskarren en kinderwagens: EN 15918:2011+A2:2017, EN 1888-2:2018
- De zitting is niet geschikt voor kinderen jonger dan 6 maanden.
- De zitting is niet geschikt voor kinderen die nog niet zonder hulp kunnen zitten of waarvan de nek nog niet sterk genoeg is. Raadpleeg een arts indien u twijfelt.
- Niet gebruiken voor kinderen die het maximale gewicht overschrijden.
- Nooit het kind zonder toezicht laten.
- Vermijd verwondingen door uit de zitting te vallen of glijden. Altijd het veiligheidstuigje gebruiken.
- Inzittende dienen ten alle tijden een passende en goedgekeurde helm te dragen.
- Fietsen met een fietskar beïnvloedt de stabiliteit van de fiets en verlengt de remweg.
- De fietskar is breder dan uw fiets. Houd rekening met extra ruimte en wees u bewust van een grotere draaicirkel.
- Controleer voor elke rit of de bevestigde fietskar het remmen, trappen of sturen van de fiets niet belemmert.
- Zorg ervoor dat lichaamsdelen van het kind, kleding, schoenveters of speelgoed niet in contact komen met bewegende onderdelen.
- Zet geen autozitjes of andere zitjes die niet door de producent zijn goedgekeurd in de fietskar.
- Breng geen wijzigingen aan in de fietskar.
- Fiets 's avonds nooit zonder geschikte verlichting. Houd u aan alle lokale regelgeving met betrekking tot verlichting.
- Een reflector die aan CPSC normen voldoet, moet zichtbaar zijn op de achterkant van de fietskar.
- Controleer voor gebruik uw bandenspanning. Pomp banden altijd op tot de druk gespecificeerd op de buitenband.
- Gebruik geen schoonmaakmiddelen. Reinig alleen met milde zeep en water.
- Het niet naleven van deze instructies kan leiden tot serieuze verwondingen of overlijden van de passagier of bestuurder.
- Laat het kind niet met dit product spelen.
- Zorg ervoor dat alle vergrendelingsmechanismes vast zitten voor dat u het product gebruikt.
- Controleer of u de parkeerrem goed heeft vastgezet wanneer u de kinderen laat in- en uitstappen.
- Zorg ervoor dat het kind uit de buurt is tijdens het in- en uitklappen van het product, om letsel te voorkomen.
- Dit product is niet geschikt om mee hard te lopen of te skeeleren.
- Gebruik geen accessoires welke niet zijn goedgekeurd door de producent.
- Gebruik alleen reserveonderdelen welke door de producent/distributeur verstrekt of geadviseerd worden.
- Wees u bewust van de risico's van onderkoeling en oververhitting, dan wel door inactieve passagiers welke lang blootgesteld worden aan koude temperaturen, dan wel door lange periodes in warme temperaturen zonder voldoende ventilatie of hydratatie.
- Oneigenlijk gebruik kan tot gevaarlijke situaties leiden. Hamax is niet aansprakelijk voor schade als gevolg van oneigenlijk gebruik. Oneigenlijk gebruik in welke vorm dan ook is op eigen risico van de gebruiker.
- Sluit het voorvenster van de fietskar wanneer u gaat fietsen.
- Bevestig geen bagage aan de duwbeugel, aangezien dit de stabiliteit van de fietskar beïnvloedt.
- Berg geen bagage op in ruimtes binnen of buiten de fietskar behalve in het bagagecompartiment, aangezien dit de stabiliteit van de fietskar beïnvloedt.
- Vergeet niet om het wandel wiel te verwijderen tijdens het fietsen.



## Fietsveiligheid

Verzeker u ervan dat uw fiets, volgens de fabrikant van de fiets, geschikt is om een fietskar te trekken en is voorzien van goed functionerende remmen voordat u de fietskar aan uw fiets bevestigt. Wij adviseren u de fiets waaraan de fietskar bevestigd wordt een veiligheidscontrole te laten ondergaan door een gekwalificeerde fietsenmaker alvorens het bevestigen van de fietskar. Het combineren van een e-bike met een fietskar kan vanuit de wet verboden zijn.

## Rijgedrag

Wanneer u een fietskar trekt gedraagt uw fiets zich zwaarder en minder reactief als gevolg van het gewicht van de fietskar. Maak uzelf vertrouwd met dit gedrag door eerst te experimenteren met een beladen fietskar in een rustig gebied voordat u het drukke verkeer in gaat.

Wees u bewust dat als gevolg van het gewicht van de fietskar uw fiets een langere remweg heeft. Wees voorzichtig bij het naar beneden fietsen van een helling, aangezien uw fiets snel meer snelheid zal winnen.

Overschrijd niet de maximale snelheid zoals gespecificeerd in deze handleiding en rem af bij het maken van een bocht of het fietsen op ruw terrein. Vermijd fietsen over los gesteente, stoepranden of andere obstakels welke de trailer kunnen doen omkiepen. Gebruik van de trailer in slechte weers-, wegdek- of verkeersomstandigheden kan onveilige situaties veroorzaken. Gebruik altijd gezond verstand om te beoordelen of de omstandigheden veilig zijn om de fietskar te gebruiken.

## Zichtbaarheid

Voor optimale zichtbaarheid en veiligheid in het verkeer heeft de multifunctionele fietskar aan de voorkant (wit), achterkant (rood) en in het wiel (oranje) reflectoren. De banden hebben ook reflectieve lijnen. Reflectieve biezen zitten geïntegreerd in de zijkanten van de stof. Wanneer de fietskar achter de fiets gebruikt wordt, dient u de oranje veiligheidsvlag te gebruiken voor nog betere zichtbaarheid. Gebruik het achterlicht welke hier is meegeleverd [16].

Gebruik het achterlicht dat is meegeleverd, zie [16].

## Beoogd gebruik

De fietskar is bedoeld voor het transporteren van kinderen zoals gespecificeerd in deze handleiding op openbare wegen met licht verkeer, voetpaden en effen wegen. Hamax beschouwt het gebruik van de fietskar anderszins als oneigenlijk gebruik, inclusief maar niet beperkt tot:

- Rijden met buitensporige snelheid
- Rijden op ruw onverhard terrein
- Gebruik van de fietskar voor commerciële doeleinden
- Vervoer van dieren
- Plaatsen van bagage op plekken binnen en buiten de fietskar anders dan in het bagagecompartiment.
- Trekken van de fietskar door een gemotoriseerd voertuig
- Niet naleven van de instructies in deze handleiding

## AAN DE SLAG - INSTALLATIE

### [1] Verpakkingsinhoud

- Fietskar (1x) [1a]
- Quick release wiel (2x) [1b]
- Trekarm (1x) [1c]
- Veiligheidsvlag (1x) [1d]
- Wandelwiel (1x) [1e]
- Gebruikshandleiding Hamax Traveller (1x)

### [2] Productoverzicht

- Duwbeugel [2a]
- Voorvensteropbergvak [2b]
- Voorvenster [2c]
- Stoffering zitting [2d]
- Wandelwiel bevestigingspunt [2e]
- Parkeerrem [2f]
- Wielbumper [2g]
- Trekarm bevestiging [2h]
- Duwbeugelvergrendeling [2i]
- Achterkant rugleuning [2j]
- Opbergruimte [2k]

### [3] Montage van de fietskoppeling aan uw fiets

- Verwijder de quick release moer of moer [3a] aan de linker kant van de achterwielas van uw fiets. Plaats de fietskoppeling [3b] tussen de quick release moer of moer en het frame. Span de quick release of moer aan volgens instructies van de fietsfabrikant.
- Zorg ervoor dat de oriëntatierichting van de fietskoppeling correct is. Houd de uitlijning/hoek tussen de fietskoppeling en trekarm zo recht mogelijk.

### [4] Uitklappen van de wielbumpers

- Plaats de twee wielbumpers [4a] in de 2 gaten aan de zijkant van het frame. Bevestig de schroef vanaf de onderkant aan de binnenkant van het frame. Gebruik de meegeleverde inbus sleutel.

### [5] Uitklappen van de fietskar

- Pak het achter frame [5a] binnenin de bagage ruimte [2k] en trek deze naar achteren. Terwijl je dit doet duw je het boven frame [5b] naar voren.
- De vouw vergrendeling [6a] schiet automatisch op slot en je hoort deze vast klikken.
- Controleer of het vouwmechanisme geblokkeerd is door het achter frame naar voren proberen te duwen.
- Plaats de duwbeugel [5c] in de duwbeugel connectie [12a], druk de duwbeugel pinnen [12b] daarbij in en duw de duwbeugel verder naar binnen totdat deze vast klikt. Plaats de duwbeugel in zijn hoogste positie wanneer u gaat fietsen [12c].

### [6] Opvouwen van de fietskar

- Verwijder de duwbeugel waarbij u de vergrendel pinnen indrukt [12].
- Trek aan beiden vouwvergrendel knoppen [6a] en duw het frame voorwaarts zodat deze opvouwt.
- Begeleid het boven frame naar beneden naar zijn opgevouwen stand en vouw de stoffering naar binnen.

### [7] Montage van de quick release wielen

- Zorg ervoor dat de parkeerrem niet geactiveerd staat [2f] en dat de wielas [7a] schoon is.
- Druk de 'push' knop [7b] in en plaats de wielas in het wiel gat. Controleer of het wiel goed vast zit door eraan te trekken.

### [8] Montage van de veiligheidsvlag

- Plaats de vlaggen stok [8a] in het gaatje [8b] naast de duwbeugel. Indien nodig open het bagage compartiment om het gaatje te kunnen vinden. Plaats de vlag aan de kant van de fietskar welke het meest is blootgesteld aan verkeer.

## GEBRUIK

### [9] Gebruik van het wandelwiel

- Bevestiging: plaats de pen van het wandelwiel [1e] in het wandelwiel connectie punt [9a] Trek aan het wandelwiel om te controleren of deze goed vast zit.
- Losmaken: druk de knop in [9b] en trek het wandelwiel [1e] uit het gat van de wandelwiel bevestiging [9a].
- Tijdens het wandelen kunt u de trekarm [1c] opbergen door deze in een achterwaartse positie in de trekarm bevestiging [10a] te steken [19]. In deze situatie gebruikt u de trekarm vergrendel knop [10b] niet.

### [10] Bevestiging van de trekarm

- Schuif de trekarm [1c] in de trekarm bevestiging [10a].
- Druk de trekarm knop [10b] in en duw de trekarm verder naar binnen totdat deze vast klikt.
- Plaats de blokkeer pen [10c] volledig in het gat. Roteer de blokkeer pen haak [10c] naar achteren en duw deze over de blokkeer pen. Trek aan de trekarm om te controleren of deze goed vast zit.

### [11] Bevestiging van de trekarm aan de fiets

- Bevestig de trekarm en veiligheidsband zorgvuldig voor gebruik. Zorg ervoor dat de fietskar onbeladen is wanneer u de fietskar aan de fiets bevestigt of verwijdert.
- Schuif de trekarm over de fietskoppeling [11a]. Plaats de blokkeerpin [11b] in het gat in de trekarm en sluit deze. Controleer of de trekarm goed vast zit door er aan te trekken. Lus de veiligheidsband om het fietsframe en haak deze in het driehoekvormige plaatje [11c].
- Zorg ervoor dat u de veiligheidsband om de liggende achtervork [11d] of staande achtervork [11e] van uw fiets bevestigt.

**TIP:** Wanneer u de trekarm niet gebruikt kunt u deze in de trailer opbergen.

**TIP:** Wanneer de veiligheidsband te lang is, kunt u hem twee keer om het frame lussen om er zeker van te zijn dat de veiligheidsband niet in conflict komt met een bewegend deel van het achterwiel.

### [12] Verstelling van de duwbeugel [2a]

- Neem de duwbeugel [2a] uit door beiden duwbeugel pinnen [12b] in te drukken en de duwbeugel eruit te trekken.
- Verdraai de duwbeugel 180 graden in de gewenste lage [12d] of hoge positie [12c].
- Plaats de duwbeugel [5c] in de duwbeugel connectie [12a], druk de duwbeugel pinnen [12b] in en duw de duwbeugel er verder in totdat deze vergrendelt. Plaats de duwbeugel in zijn hoogste positie wanneer u gaat fietsen [12c].

### [13] Gebruik van de parkeerrem

- Vergrendelen: Duw de parkeerrem pedaal [13a] naar beneden totdat de knowp [13b] naar buiten schiet en de pedaal geblokkeerd is. Het kan voorkomen dat u de fietskar iets naar voren of achteren moet bewegen om de rem pin bij het wiel een gat te laten vinden. Controleer altijd of rem vergrendeld is door proberen de fietskar te verrijden.
- Ontgrendelen: druk de vergrendel knop [13b] in met uw voet en de parkeerrem pedaal [13a] roteert naar boven.

### [14] Voorvensters en zonnescherm

- De Traveller fietskar heeft aan de voorkant een plastic voorvenster [14a], een gaasvenster [14b] en een aanvullend zonnescherm [14d]. De plastic en het gaas venster kunnen onderin met haken vlak boven het frame vast gezet worden [14c].
- Het zonnescherm wordt met klittenband stukjes [14e] vastgezet: 4 voor de korte en 6 voor de lange versie. De korte variant [14d] verkrijgt je door hem te vouwen en de onderste klittenband aan de bovenste te plakken [14f].

- De vensters kunnen opgeborgen worden in het opbergvak [14g] indien niet in gebruik. Sluit de drukknopjes om te voorkomen dat de vensters er tijdens het rijden uitvallen.

### [15] 5-punts veiligheidsgordels

- Plaats uw kind in de zitting en geleid de armen door de opening tussen de schouder- [15a] en heupgordel [15b]. Controleer of de schoudergordel zich op gelijke hoogte als de schouders van het kind bevindt. Verstel de hoogte door de verstellers [15e] boven de hoofdsteun omhoog of omlaag te schuiven.
- Verbind de twee schouderband gespen tesamen en steek ze in de kruis gesp totdat ze vastklikken. Trek de banden van de kruis- en schoudergordel strak zodat uw kind goed vastzit. Controleer of de veiligheidsgordel goed vast zit door aan beiden schoudergordels te trekken.

### [16] Bevestiging van de verlichting

- Plaats de verlichting aan de kant van de fietskar die het meest wordt blootgesteld aan verkeer.
- Achterkant: Bevestig het rode achterlicht op de duwbeugel [16]. Plaats de verlichting aan de kant die het meest is blootgesteld aan het verkeer.

## REINIGING EN ONDERHOUD

### Controleer voordat u de fietskar in gebruik neemt:

- De wielen zitten goed vast aan de fietskar.
- De banden zijn opgepompt volgens de gespecificeerde druk.
- De fietskar is goed uitgevouwen en het mechanisme is vergrendeld aan beide kanten. Vergeet niet om de duwbeugel te vergrendelen.
- De rugleuning zit goed vast en aangespannen. Zie hiervoor de onderhoud sectie.
- De veiligheidsvlag en verlichting zijn bevestigd indien vereist.
- Controleer regelmatig of alle vitale onderdelen als de trekarm, duwbeugel, veiligheidsgordels, wandelwiel en wielen goed vast zitten. Controleer regelmatig of alle schroeven nog goed vastzitten.

### Opslag

- Het is sterk aan te raden de Traveller fietskar binnen op te bergen, in een droge en goed geventileerde ruimte weg van direct zonlicht.

**TIP:** Er is een Hamax opbergtas beschikbaar voor nog betere bescherming.

### Onderhoud:

- [17] Parkeerrem [2f]: Als de rem niet aangrijpt op beiden wielen of niet ontgrendeld (het wiel geeft dan een tikkend geluid) dan dien je de parkeerrem kabels te verstellen door aan de stelmoeren [18a] bij beiden wielen te draaien.
- De Traveller fietskar heeft een vervangbaar voorvenster welke met klittenband in de het opbergvak bevestigd zit.
- Wandelwiel bevestiging [2e]: als er zich vuil binnenin de wandelwielbevestiging [2e] bevindt, spoel deze dan af met water.
- Rugleuning [2j]: Span regelmatig de banden [18] achter de rugleuning van de zitting aan. Zorg ervoor dat u eerst de bovenkant aanspant, gevolgd door de onderkant.
- Gebruik geen schoonmaakmiddelen. Reinig alleen met milde zeep en water.
- De stoffering van de zitting [2a] kan verwijderd worden uit de fietskar om te wassen. Was de zitting met de hand of op een koud wasprogramma met een lage centrifuge snelheid.
- Zorg ervoor dat de fietskar volledig droog is voordat u deze opbergt om te voorkomen dat deze beschimmelt.
- Indien de fietskar betrokken is bij een ongeluk of is beschadigd, neem dan contact op met uw dealer om te zien of deze nog steeds gebruikt kan worden.
- Alle belangrijke componenten zoals: trekarm, bevestigingspunten, frame, veiligheidsgordels, verlichting, banden en wielen, enz. Voor een veilige toestand; regelmatige controle of geschraefde assemblages goed zijn vastgedraaid.

## GARANTIE

De garantie op de Hamax Traveller multifunctionele fietskar start op de dag van aankoop. De garantieperiode hangt af van de wetgeving van het land van aankoop. De garantie heeft betrekking op defecten in materialen of assemblage maar dekt geen schade als gevolg van oneigenlijk gebruik, gebrek aan onderhoud, het niet volgen van de gebruikshandleiding, gebruik van geweld of normale slijtage. De garantie is alleen geldig voor de oorspronkelijke gebruiker. Lees alstublieft de aanbevelen onderhoudsadviezen goed door. Condities welke vroegtijdige slijtage veroorzaken vallen niet onder de garantieregeling. Indien de fietskar reparatie behoeft of u wenst aanspraak te maken op garantie, neem dan contact op met uw lokale dealer van wie u de fietskar gekocht heeft.

## ALGEMENE GEBRUIKSAANWIJZING VOOR BATTERIJEN (ACHTERLICHT)

- Niet herlaadbare batterijen mag u niet proberen herladen.
- Herlaadbare batterijen moeten eerst uit het toestel worden genomen alvorens ze te kunnen herladen.
- Gebruik geen oude en nieuwe batterijen of batterijen van een verschillend type door elkaar.
- Gebruik alleen batterijen van hetzelfde type of een gelijkaardig type zoals aangegeven.
- Let altijd op de juiste polariteit bij het insteken van de batterijen.
- Verwijder altijd onmiddellijk lege batterijen uit het toestel.
- Veroorzaak geen kortsluiting aan de polen.
- U mag lege batterijen niet verbranden, deze kunnen ontploffen of uitlopen.

### Aanwijzing voor het recyclen van verbruikte batterijen



Het links afgebeelde symbool op batterijen, dat verpakking of de meegeleverde documenten betekent, dat de batterijen op het einde van de levenscyclus niet bij het gewone huisvuil gegooid mogen worden. De afkortingen op de vuilnisbakken betekenen, dat de batterij lood (Pb), cadmium (Cd) of kwikzilver (Hg) bevatten. U bent als gebruiker wettelijk verplicht, alle soorten batterijen (zowel herlaadbare alsook niet herlaadbare) incl. knoopcelbatterijen naar een wettelijk verzamelpunt te brengen. Dit kost u niets. Dit maakt recycling mogelijk van waardevolle grondstoffen en voorkomt mogelijke negatieve uitwerkingen op de mens en het milieu.

### Aanwijzing voor het recyclen van elektrische en elektronische apparaten



Het links afgebeelde symbool op het product, verpakking of de meegeleverde documenten betekent, dat het product aan het einde van de levenscyclus gescheiden van het huisafval dient verwijderd te worden. U bent als gebruiker daartoe wettelijk verplicht, elektrische of elektronische apparaten naar een wettelijk afvalpunt te brengen. Dit kost u niets. Verwijder de batterijen uit het product voor u het weg gooit. Dit maakt recycling mogelijk van waardevolle grondstoffen en voorkomt mogelijke negatieve uitwerkingen op de mens en het milieu. Verdere informatie kunt u verkrijgen bij uw gemeente of bij de verkoper van het product.

# DE Vielen Dank, dass Sie sich für den multifunktionaler Kinderfahrradanhänger Hamax Traveller mit Buggy-Rad entschieden haben.

Wir gratulieren Ihnen zum Kauf des Hamax Traveller-Kinderfahrradanhängers. Sie können Ihr Kind sicher und bequem transportieren, indem Sie den Hamax Traveller als Fahrradanhänger oder Buggy. Lesen Sie diese Anleitung sorgfältig durch, bevor Sie den Hamax Traveller montieren und verwenden. Wir wünschen Ihnen und Ihren Kindern viele schöne Touren!

Bewahren Sie diese Anleitung für die spätere Verwendung an einem sicheren Ort auf.

## TECHNISCHE DATEN

- Siehe technische Daten in Bild [A]
- Maße zusammengeklappt (einschl. Speichenschutz): 100x74 x 30 cm
- Gewicht des Anhängers (vollständig montierter Anhänger einschl. Fahrraddeichsel): 13 kg
- <sup>\*\*\*</sup>Um die Stützlast zu prüfen, messen Sie das Gewicht am Ende der Fahrraddeichsel während der Anhänger mit Passagieren und Gepäck beladen ist. Sie können sich zum Wiegen auf eine Waage stellen; berücksichtigen Sie dabei Ihr eigenes Gewicht. Stellen Sie sich auf die Waage, und halten Sie dabei die Fahrraddeichsel mit den Händen fest. Achten Sie darauf, die Fahrraddeichsel in der korrekten Höhe zu halten. Ziehen Sie Ihr eigenes Gewicht ab; das Ergebnis ist die Stützlast

A



**Schleppgeschwindigkeit**  
Empfohlene Geschwindigkeit: 16 km/h  
Höchstgeschwindigkeit: 24 km/h



**Stützlast<sup>\*\*\*</sup>**  
Min: 0 kg  
Max: 8 kg



**Physische Anforderungen**  
Mindestalter: 6 Monate. Max: 22 kg  
Max. Größe des Kindes: 117 cm



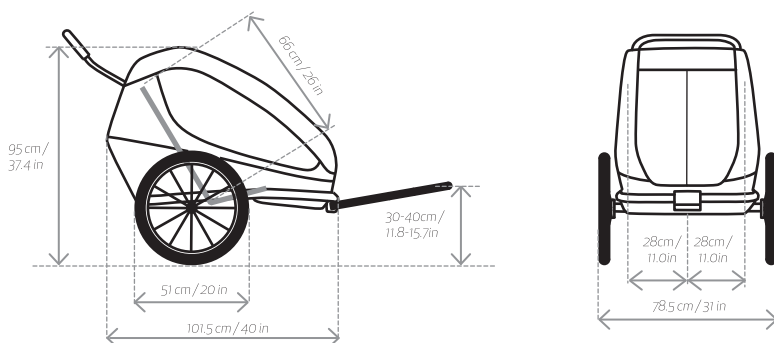
**Tragkraft**  
Max Last: 47kg  
Max. Gewicht des Kindes: 22 kg  
Max. Gewicht inkl. Anhänger: 60 kg



**Gepäck**  
Max: 5 kg



**Sitzpositionen**  
Für 1 oder 2 Kinder



# **WARNUNG**

**Wichtig** - Bitte sorgfältig lesen und für späteres Nachlesen unbedingt aufbewahren

- Dieses Produkt erfüllt die europäischen Standards für Kinderfahrradanhänger und Buggys: EN 15918:2011+A2:2017, EN 1888-2:2018
- Dieser Sitz ist für Kinder unter 6 Monaten nicht geeignet.
- Dieser Sitz ist nicht geeignet für Kinder, die ohne Hilfe nicht sitzen können oder nicht über die erforderliche Kraft im Hals- und -Nackengebiete verfügen. Wenn Sie sich nicht sicher sind, konsultieren Sie einen Kinderarzt.
- Nicht mit Kindern verwenden, deren Gewicht das zulässige Maximalgewicht überschreitet.
- Lassen Sie das Kind niemals unbeaufsichtigt.
- Vermeiden Sie schwere Verletzungen durch Herausfallen oder -rutschen. Verwenden Sie immer das Rückhaltesystem.
- Die Passagiere müssen immer einen ordnungsgemäß befestigten Helm tragen.
- Das Ziehen eines Anhängers wirkt sich auf die Stabilität des Fahrrads aus und verlängert den Bremsweg.
- Dieser Anhänger ist breiter als Ihr Fahrrad. Halten Sie zusätzlichen Abstand ein, und berücksichtigen Sie den größeren Wendekreis.
- Stellen Sie vor jeder Fahrt sicher, dass der montierte Anhänger Bremsen, Pedale und Lenkung des Fahrrads nicht beeinträchtigt.
- Sorgen Sie dafür, dass der Körper des Kindes, Bekleidung, Schnürsenkel und Spielzeug die beweglichen Teile des Anhängers nicht erreichen können.
- Bringen Sie keine Autokindersitze oder andere Sitzvorrichtungen, die nicht vom Hersteller zugelassen sind, im Anhänger an.
- Nehmen Sie keine Änderungen am Anhänger vor.
- Fahren Sie niemals nachts ohne ausreichende Beleuchtung mit dem Fahrrad. Halten Sie alle geltenden gesetzlichen Vorgaben hinsichtlich der Beleuchtung ein.
- Ein Reflektor, der den CPSC-Bestimmungen entspricht, muss sichtbar an der Rückseite des Anhängers angebracht sein.
- Prüfen Sie vor der Verwendung den Reifendruck. Pumpen Sie die Reifen immer auf den Reifendruck auf, der auf den äußeren Reifen angegeben ist.
- Verwenden Sie keine lösungsmittelhaltigen Reinigungsmittel. Verwenden Sie zur Reinigung ausschließlich Wasser und milde Seife.
- Die Nichteinhaltung der Herstelleranweisungen kann zu schweren Verletzungen oder zum Tod des Passagiers/Fahrers führen.
- Lassen Sie das Kind nicht mit dem Produkt spielen.
- Vergewissern Sie sich vor Gebrauch, dass alle Verriegelungen eingerastet sind.
- Stellen Sie sicher, dass die Feststellbremse beim Ein- und Aussteigen der Kinder angezogen ist.
- Vergewissern Sie sich, dass das Kind beim Aufklappen und Zusammenklappen des Wagens außer Reichweite ist, um Verletzungen zu vermeiden.
- Dieses Produkt ist nicht zum Joggen oder Skaten geeignet.
- Verwenden Sie kein Zubehör, das nicht durch den Hersteller zugelassen ist.
- Nur vom Hersteller/Vertriebs Händler gelieferte oder empfohlene Ersatzteile dürfen verwendet werden.
- Denken Sie an Expositionsgefahren, wie Wind-Kälte-Faktor und Hitzekollaps, wenn weniger aktive Anhängerpassagiere längere Zeit niedrigen Temperaturen ausgesetzt sind oder sich längere Zeit



- bei höheren Temperaturen ohne ausreichende Belüftung und Flüssigkeitszufuhr darin aufhalten.
- Die nicht bestimmungsgemäße Nutzung kann zu gefährlichen Situationen führen. Hamax haftet nicht für Schäden aufgrund von nicht bestimmungsgemäßer Verwendung. Das Risiko für jegliche nicht bestimmungsgemäße Verwendung trägt der Nutzer.
- Schließen Sie bei Verwendung des Fahrradanhängers die vordere Abdeckung.
- Befestigen Sie keinerlei Lasten an der Schubstange, da dies die Stabilität des Anhängers beeinträchtigt.
- Verstauen Sie kein Gepäck außerhalb des Gepäckfachs in und am Anhänger, da dies die Stabilität des Anhängers beeinträchtigt.
- Vergessen Sie nicht, das Lenkrad abzunehmen, wenn Sie Fahrrad fahren

### **Fahrradsicherheit**

Bevor Sie den Fahrradanhänger an Ihrem Fahrrad befestigen, stellen Sie sicher, dass Ihr Fahrrad zum Ziehen eines Anhängers, gemäß den Anweisungen des Fahrradherstellers, geeignet ist und über gut funktionierende Bremsen verfügt. Es empfiehlt sich, das Fahrrad, an dem der Anhänger montiert werden soll, einer Sicherheitsprüfung durch einen qualifizierten Fahrradmechaniker zu unterziehen, bevor der Anhänger angebracht wird. Das Ziehen von Anhängern durch einen EPAC kann gesetzlichen Beschränkungen unterliegen.

### **Fahrverhalten**

Mit Anhänger verhält sich Ihr Fahrrad aufgrund des Anhängergewichts schwerfälliger und weniger reaktionsschnell. Machen Sie sich mit diesem Verhalten vertraut, indem Sie zunächst das Fahren mit einem beladenen Anhänger in einem verkehrssarmen Bereich ausprobieren, bevor Sie durch überfüllte öffentliche Straßen fahren.

Bedenken Sie, dass der Bremsweg Ihres Fahrrads aufgrund des Anhängergewichts verlängert ist. Fahren Sie bergab besonders vorsichtig, da Ihr Fahrrad schnell Geschwindigkeit aufnimmt.

Überschreiten Sie nicht die in diesem Handbuch genannte Höchstgeschwindigkeit, und verringern Sie die Geschwindigkeit vor Kurven und auf unebenen Straßen. Vermeiden Sie es, über Steine, Bordsteine oder andere Hindernisse zu fahren, die den Anhänger zum Umkippen bringen könnten. Die Verwendung des Anhängers unter ungünstigen Wetter-, Straßen- oder Verkehrsbedingungen kann zu unsicheren Situationen führen. Entscheiden Sie nach bestem Wissen und Gewissen, ob die Bedingungen eine sichere Verwendung des Anhängers zulassen.

### **Hohe Sichtbarkeit**

Für optimale Sichtbarkeit und Sicherheit im Straßenverkehr ist der multifunktionale Kinderfahradanhänger mit Reflektoren an der Vorderseite (weiß), an der Rückseite (rot) und an den Rädern (orange) ausgestattet. Die Reifen besitzen außerdem reflektierende Streifen. In das äußere Gewebe ist eine reflektierende Paspelierung eingearbeitet. Wird der Anhänger als Fahrradanhänger verwendet, müssen Sie außerdem die orangefarbene Sicherheitsfahne anbringen, um noch bessere Sichtbarkeit zu erzielen [8]. Verwenden Sie das mitgelieferte Rücklicht, siehe [16].

### **Bestimmungsgemäße Verwendung**

Dieser Anhänger ist für den Transport von Kindern gemäß den Angaben in diesem Handbuch auf Straßen mit wenig Verkehr, Fahrradwegen und befestigten Wegen vorgesehen. Hamax erachtet die Verwendung des Anhängers in jeglicher abweichenden Weise als nicht bestimmungsgemäße Verwendung; dies umfasst unter anderem, aber nicht ausschließlich:

- Fahren mit überhöhter Geschwindigkeit
- Fahren in unwegsamem Gelände
- Verwenden des Anhängers zu kommerziellen Zwecken
- Transportieren von Tieren
- Verstauen von Gepäck im und am Anhänger außerhalb des Gepäckfachs des Anhängers
- Ziehen des Anhängers durch motorisierte Fahrzeuge
- Nichteinhaltung der Anweisungen in diesem Handbuch

## **ERSTE SCHRITTE - INSTALLATION**

### **[1] Verpackungsinhalt**

- Anhängerchassis (1x) [1a]
- Rad mit Schnellverschluss (2x) [1b]
- Fahrraddeichsel (1x) [1c]
- Sicherheitsfahne (1x) [1d]
- Buggy-Rad (1x) [1e]
- Benutzerhandbuch Hamax Traveller (1x)

### **[2] Produktübersicht**

- Schubstange [2a]
- Tasche für vordere Abdeckung [2b]
- Vordere Abdeckung [2c]
- Sitzpolster [2d]
- Befestigung Buggy-Rad [2e]
- Feststellbremse [2f]
- Speichenschutz [2g]
- Befestigung Fahrraddeichsel [2h]
- Auslösegriff der Schubstange [2i]
- Sitzrückenlehne hinten [2j]
- Gepäckbereich [2k]

### [3] Befestigen der Anhängerkupplung am Fahrrad:

- Entfernen Sie den Schnellverschluss oder die Mutter [3a] von der linken Seite der Hinterradachse Ihres Fahrrads. Setzen Sie die Anhängerkupplung [3b] zwischen Schnellverschluss/Mutter und Rahmen. Bringen Sie Schnellverschluss/Mutter gemäß den Anweisungen des Fahrradherstellers wieder an, und ziehen Sie ihn fest.
- Lassen Sie die Anhängerkupplung nach hinten zeigen. Die Ausrichtung/der Winkel zwischen Anhängerkupplung und Fahrraddeichsel sollte so gerade wie möglich sein.

### [4] Anbringen des Speichenschutzes

- Stecken Sie die beiden Speichenschutzvorrichtungen [4a] in die beiden Öffnungen an der Seite des Rahmens. Schrauben Sie die Schraube [4b] von unten in den Rahmen ein. Verwenden Sie den Schraubenschlüssel, der mit dem Speichenschutz geliefert wird.

### [5] Ausklappen des Anhängers:

- Greifen Sie den hinteren Rahmen [5a] vom Inneren des Gepäckfachs [2k] aus, und ziehen Sie ihn nach hinten. Gleichzeitig können Sie den oberen Rahmen [5b] nach vorn schieben.
- Die Klappvorrichtung [6a] rastet automatisch mit einem Klicken ein.
- Stellen Sie sicher, dass der Klappmechanismus eingerastet ist, indem Sie versuchen, den hinteren Rahmen nach vorn zu schieben.
- Stecken Sie die Schubstange [5c] in die Schubstangenaufnahme [12a], drücken Sie die beiden Schubstangenknöpfe [12b] und schieben Sie die Schubstange so lange weiter, bis sie einrastet. Beim Radfahren stellen Sie die Schubstange in die höchste Position [12c].

### [6] Zusammenklappen des Anhängers:

- Halten Sie die Knöpfe [12] gedrückt und ziehen Sie die Schubstange heraus.
- Ziehen Sie an beiden Klapparretierungen [6a] und schieben Sie den Rahmen nach vorn, bis er zusammenklappt.
- Schieben Sie den oberen Rahmen vorsichtig nach unten in zusammengeklappte Position, und falten Sie den Stoff in den Anhänger.

### [7] Montage der Räder mit Schnellverschluss:

- Stellen Sie sicher, dass die Feststellbremse gelöst ist [2f] und dass die Radachse [7a] sauber ist.
- Halten Sie den Knopf [7b] gedrückt, und schieben Sie die Radachse in die Führung. Ziehen Sie am Rad, um sicherzustellen, dass es fest sitzt.

### [8] Anbringen der Sicherheitsfahne:

- Stecken Sie die Fahnenstange [8a] in die Aufnahme am Scharnier der Schubstange. Öffnen Sie bei Bedarf das Gepäckfach, um die Öffnung für die Fahnenstange zu finden. Platzieren Sie die Fahnenstange auf der Seite des Fahrradanhängers, die sich die meiste Zeit auf der Straßenseite befindet.

## VERWENDUNG

### [9] Verwendung des Buggy-Rads:

- Befestigung: Stecken Sie den Stift des Buggy-Rads [1e] in die vordere Buggy-Aufnahme [9a]. Ziehen Sie am Buggy-Rad, um sicherzustellen, dass es fest sitzt.
- Entfernen: Drücken Sie den Knopf [9b] um die Arretierung zu lösen, und ziehen Sie das Buggy-Rad [1e] aus der vorderen Verbindung [9a].
- Wenn Sie den Anhänger als Buggy nutzen, können Sie die Fahrraddeichsel [1c] zurückgeklappt in der Fahrraddeichsel-Halterung [10a] [19] aufbewahren. Drücken Sie in dieser Position nicht den Fahrraddeichsel-Knopf [10b].

### [10] Befestigen der Fahrraddeichsel am Anhänger:

- Schieben Sie die Fahrraddeichsel [1c] in die Fahrraddeichsel-Halterung [10a].
- Halten Sie den Fahrraddeichsel-Knopf [10b] gedrückt und schieben Sie die Deichsel weiter, bis sie mit einem Klicken einrastet.
- Sichern Sie die Verbindung durch Einstecken des Sicherungsstiftes [10c]. Drehen Sie den Sicherungsstift [10c] nach hinten und lassen Sie ihn einrasten. Ziehen Sie an der Fahrraddeichsel, um sicherzustellen, dass sie fest sitzt.

### [11] Befestigen der Fahrraddeichsel am Fahrrad:

- Befestigen Sie vor der Verwendung sorgfältig Zugstange und Sicherheitsgurt. Der Anhänger muss beim Anbringen und Entfernen am/vom Fahrrad immer entladen sein.
- Schieben Sie die Fahrraddeichsel auf die Anhängerkupplung [11a]. Stecken Sie den Arretierungsstift [12b] durch die Öffnung in der Fahrraddeichsel, und schließen Sie ihn. Überprüfen Sie, ob die Fahrraddeichsel sicher befestigt ist, indem Sie an der Deichsel ziehen. Wickeln Sie den Sicherheitsgurt um den Fahrradrahmen, und befestigen Sie den Haken an der dreieckigen Platte [11c].
- Ziehen Sie den Sicherheitsgurt unbedingt um die Kettenstrebe [11d] oder die Sitzstrebe [11e] Ihres Fahrradrahmens.

**TIPP:** Wenn Sie die Fahrraddeichsel nicht verwenden, können Sie sie im Fahrradanhänger aufbewahren.

**TIPP:** Wenn der Sicherheitsgurt zu lang ist, können Sie ihn zweimal um den Rahmen wickeln, um sicherzustellen, dass der Gurt

sich nicht in den beweglichen Teilen des Hinterrades verfangen kann.

#### [12] Einstellen der Schubstange [2a]:

- Ziehen Sie die Schubstange [2a] heraus, indem Sie die Schubstangen-Sicherungsstifte [12b] an beiden Seiten drücken und die Schubstange herausziehen.
- Stellen Sie die Schubstange um 180 Grad auf die gewünschte niedrige [12d] oder hohe Position [12c] ein.
- Stecken Sie die Schubstange [5c] in die Schubstangenaufnahme [12a], drücken Sie die beiden Schubstangenknöpfe [12b] und schieben Sie die Schubstange so lange weiter, bis sie einrastet. Wenn Sie Fahrrad fahren, stellen Sie die Schubstange in die höchste Position [12c].

#### [13] Verwenden der Feststellbremse

- Feststellen: Schieben Sie den Hebel der Feststellbremse [13a] nach unten, bis der Knopf [13b] hinausgedrückt wird und der Hebel arretiert ist. Eventuell müssen Sie den Anhänger ein wenig vorwärts und rückwärts bewegen, damit der Bremsstift am Rad in die Führungsöffnung gleitet. Stellen Sie immer sicher, dass die Bremse eingreift, indem Sie gegen den Anhänger drücken.
- Lösen: Drücken Sie den Entriegelungsknopf [13b] mit der Fußspitze, und der Hebel [13a] dreht sich nach oben.

#### [14] Vordere Abdeckungen und Sonnenschutz:

- Der Traveller hat eine vordere Abdeckung aus Kunststoff [14a], eine vordere Abdeckung aus Mesh-Gewebe [14b] und einen zusätzlichen Sonnenschutz [14d]. Die Kunststoff- und die Mesh-Abdeckung können unten mit den Haken direkt oberhalb des Rahmens [14c] befestigt werden.
- Zum Befestigen des Sonnenschutzes verwenden Sie die Klettverschlüsse [14e]: 4 für die kurze und 6 für die gesamte Länge. Um den Sonnenschutz [14d] zu kürzen, falten Sie ihn zusammen, und befestigen Sie die unteren Klettverschlüsse auf den oberen Klettverschlüssen [14f].
- Wenn Sie die vordere Kunststoffabdeckung nicht verwenden, können Sie sie in einer Tasche unter dem Anhängerdach verstauen. Die Mesh-Abdeckung [14b] und der Sonnenschutz [14d] können unter der Kunststoffabdeckung [14g] verstaut werden. Schließen Sie die Tasche mit den Knöpfen, damit die Abdeckungen während der Fahrt nicht herunterfallen.

#### [15] 5-Punkt-Sicherheitsgurt

- Setzen Sie Ihr Kind hinein, und führen Sie seine Arme durch die Öffnung zwischen Schulter- [15a] und Beckengurt [15b]. Stellen Sie sicher, dass die Gurte an den Schultern Ihres Kindes anliegen. Stellen Sie die Höhe ein, indem Sie die Schnallen [15e] über der Kopfstütze nach oben oder unten verschieben.
- Verbinden Sie die Schnallen der Schultergurte, und schieben Sie sie in die Mittelschnalle [15c] des Schrittgurtes [15d], bis sie merklich einrasten. Kürzen Sie die Länge von Schrittgurt und Schultergurten, bis Ihr Kind sicher angeschnallt ist. Überprüfen Sie, ob der Sicherheitsgurt geschlossen ist, indem Sie an beiden Schultergurten ziehen.

#### [16] Anbringen der Leuchten:

- Platzieren Sie die Leuchten an der Seite des Anhängers, die die meiste Zeit dem Verkehr ausgesetzt ist.
- Rückseite: Anbringen der roten Leuchte an der Schubstange [16]

## PFLEGE UND WARTUNG

Stellen Sie Folgendes sicher, bevor Sie den Anhänger verwenden:

- Die Räder sind korrekt am Anhänger befestigt.
- Die Reifen sind mit dem vorgegebenen Reifendruck aufgepumpt
- Der Anhänger ist korrekt auseinandergeklappt, und der Mechanismus ist auf beiden Seite verriegelt. Denken Sie daran, die Schubstange zu verriegeln.
- Die Rückenlehne des Sitzes ist korrekt gesichert und befestigt. Siehe dazu den Wartungsabschnitt.
- Sicherheitsfahne und Beleuchtung sind angebracht, wenn erforderlich.
- Alle wichtigen Teile, wie Zugstange, Kupplungsvorrichtung, Rahmen, Sicherheitsgurte, Beleuchtung, Reifen und Räder etc. funktionieren einwandfrei. Außerdem ist regelmäßig zu prüfen, ob die Schraubverbindungen fest angezogen sind.

#### Aufbewahrung

Wir empfehlen dringend, den Anhänger Traveller an einem trockenen und gut belüfteten Ort im Innenbereich aufzubewahren, an dem er keiner direkten Sonneneinstrahlung ausgesetzt ist.

**TIPP:** Für noch besseren Schutz ist eine Aufbewahrungsabdeckung von Hamax erhältlich.

#### Wartung:

- [17] Feststellbremse [2f]: Wenn die Bremse nicht vollständig an beiden Rädern eingreift oder sich nicht vollständig lösen lässt (am Rad entsteht dann ein tickendes Geräusch), müssen Sie die Feststellbremszüge mit der Mutterstellvorrichtung [18a] an jedem Rad von der Unterseite des Anhängers einstellen.
- Der Fahrradanhänger Traveller verfügt über eine auswechselbare Abdeckung, die in einer Tasche oberhalb der vorderen Öffnung angebracht ist. Sie ist mit Klettverschlüssen im Inneren der Tasche unter den Außenstoffen und mit Knöpfen an der

Seite des Anhängers befestigt.

- Buggy-Rad-Kupplung [2e]: Wenn sich Schmutz in der Buggy-Rad-Kupplung [2e] befindet, spülen Sie diese mit Wasser.
- Sitzrückenlehne [2j]: Damit Ihre Passagiere bequem und sicher sitzen, ziehen Sie die Gurte [19] an der Rückseite der Sitzrückenlehne regelmäßig fest. Stellen Sie sicher, dass Sie die Gurte zunächst oben und dann unten festziehen.
- Verwenden Sie keine lösungsmittelhaltigen Reinigungsmittel. Verwenden Sie zur Reinigung ausschließlich Wasser und milde Seife.
- Das Sitzpolster [2d] kann zum Reinigen aus dem Anhänger entfernt werden. Waschen Sie den Sitz mit der Hand, oder verwenden Sie eine kalte Maschinenwäsche mit kurzem Schleudergang.
- Lassen Sie den Anhänger vollständig trocknen, bevor Sie ihn einlagern, um Schimmelbildung zu verhindern.
- Wenn der Anhänger in einen Unfall verwickelt oder dabei beschädigt wurde, lassen Sie vom Händler überprüfen, ob er weiterhin verwendet werden kann.
- Alle wichtigen Komponenten wie: Deichsel, Verbindungsvorrichtung, Rahmen, Sicherheitsgurte, Beleuchtungskörper, Reifen und Räder usw. für einen sicheren Zustand; Regelmäßige Überprüfung, ob die verschraubten Baugruppen fest angezogen sind.

## GARANTIE

Die Garantie des multifunktionalen Kinderfahrradanhängers Hamax Traveller beginnt mit dem Kaufdatum. Der Garantiezeitraum ist von den gesetzlichen Bestimmungen des jeweiligen Landes abhängig. Die Garantie umfasst Material- und Fertigungsmängel und erstreckt sich nicht auf Schäden aufgrund von unzulässiger Verwendung, unterlassener Wartung, Nichteinhaltung des Benutzerhandbuchs, Gewaltanwendung oder normalen Verschleiß. Die Garantie ist nicht übertragbar. Bitte lesen Sie die Verwendungs- und Wartungsempfehlungen sorgfältig durch. Bedingungen, die zu vorzeitigem Verschleiß des Anhängers führen können, werden ggf. nicht von der Garantie abgedeckt. Wenn für den Anhänger eine Wartung durchzuführen ist oder Sie Garantiesprüche geltend machen möchten, wenden Sie sich an Ihren Händler vor Ort, bei dem Sie den Anhänger erworben haben.

## ALLGEMEINE GEBRAUCHSHINWEISE FÜR BATTERIEN (RÜCKLICHT)

- Nicht wiederaufladbare Batterien dürfen nicht aufgeladen werden.
- Wiederaufladbare Batterien müssen vor dem Laden aus dem Gerät entfernt werden.
- Verschiedene Typen von Batterien und alte und neue Batterien dürfen nicht miteinander verwendet werden.
- Nur Batterien des gleichen oder äquivalenten Typs wie angegeben dürfen verwendet werden.
- Batterien müssen immer gemäß der korrekten Polarität eingelegt werden.
- Die Stromanschlüsse dürfen nicht kurzgeschlossen werden.
- Leere Batterien müssen aus dem Gerät entfernt werden.
- Leere Batterien dürfen nicht verbrannt werden, da diese explodieren oder auslaufen könnten.

### Hinweise zur Entsorgung von leeren Batterien



Das links abgebildete Symbol auf Batterien, der Verpackung oder mitgelieferten Dokumenten bedeutet, dass die Batterien am Ende ihres Lebenszyklus nicht über den Hausmüll entsorgt werden dürfen. Ggf. ergänzte Buchstaben unter der Mülltonne bedeuten, dass die Batterie Blei (Pb), Cadmium (Cd) oder Quecksilber (Hg) enthält. Sie sind als Verbraucher gesetzlich verpflichtet, alle Arten von Batterien (sowohl aufladbare als auch nicht wieder aufladbare) inkl. Knopfzellen bei den kommunalen Sammelstellen oder im Handel abzugeben. Dies ist für Sie kostenlos. Die ordnungsgemäße Entsorgung ermöglicht das Recycling wertvoller Rohstoffe und verhindert mögliche negative Auswirkungen auf Mensch und Umwelt.

### Hinweise zur Entsorgung von elektrischen bzw. elektronischen Altgeräten



Das links abgebildete Symbol auf dem Produkt, der Verpackung oder mitgelieferten Dokumenten bedeutet, dass das Produkt am Ende seines Lebenszyklus getrennt von Haushaltsabfällen entsorgt werden muss. Sie sind als Verbraucher gesetzlich verpflichtet, elektrische oder elektronische Produkte bei einer kommunalen Sammelstelle für Elektro-Altgeräte abzugeben. Dies ist für Sie kostenlos. Bitte entnehmen Sie vor der Entsorgung des Produkts die Batterien. Die ordnungsgemäße Entsorgung ermöglicht das Recycling wertvoller Rohstoffe und verhindert mögliche negative Auswirkungen auf Mensch und Umwelt. Weitere Informationen erhalten Sie ggf. bei Ihrer Gemeinde oder beim Verkäufer des Produkts.

# FR Merci d'avoir choisi le emorque à vélo multifonctionnelle pour enfants, avec roue de poussette *Traveller de Hamax*

Félicitations pour votre achat du porte-bébé multifonctionnel *Traveller de Hamax*. L'*Traveller de Hamax* vous permet de transporter votre enfant de manière confortable et en toute sécurité, en l'utilisant comme remorque de bicyclette ou comme poussette. Veuillez lire attentivement les présentes instructions avant le montage ou l'utilisation de l'*Traveller de Hamax*. Nous vous souhaitons, à votre enfant et à vous, de belles randonnées !

Gardez soigneusement les présentes instructions, afin de permettre leur consultation ultérieure.

## SPÉCIFICATIONS

- Consultez les spécifications à l'image [A]
- Dimensions à l'état replié (protection de roue comprise) : 100 x 74 x 30 cm
- Poids de la remorque (totalement monté, y compris le bras de bicyclette) : 13 kg
- \*\*Pour vérifier la charge sur la barre de traction, mesurez le poids à l'extrémité du bras de bicyclette lorsque la remorque est chargée avec des passagers et/ou colis. Vous pouvez mesurer le poids à l'aide d'un pèse-personnes ; souvenez-vous de votre propre poids. Prenez place sur le pèse-personnes avec le bras de bicyclette dans vos mains. Assurez-vous de tenir le bras de bicyclette à la hauteur appropriée. Déduisez votre propre poids pour obtenir la charge sur la barre de traction.

A



### Vitesse de traction

Vitesse conseillée : 16 km/h / 10 mph  
Vitesse maxi. : 24 km/h / 15 mph

### Charge sur la barre de traction\*\*

Mini: 0 kg / 0 lb  
Maxi: 8 kg / 17,5 lb

### Exigences physiques

Âge mini. : 6 mois. Maxi: 22 kg / 48,5 lb  
Taille maxi. de l'enfant : 117 cm



### Capacité de charge

Charge maxi. : 47 kg / 105 lb  
Poids maximal de l'enfant : 22 kg / 48,5 lb  
Poids maxi. remorque comprise : 60 kg / 132 lb



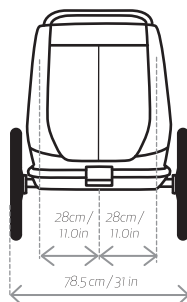
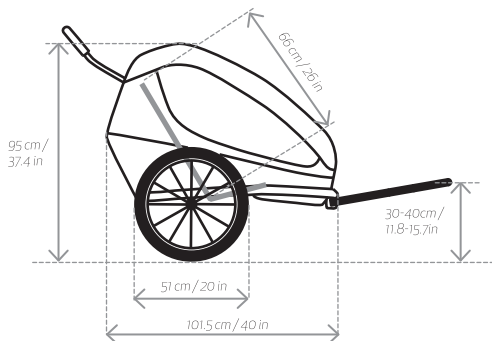
### Bagage

Maxi: 5 kg / 11 lb



### Places assises

Pour 1 ou 2 enfants



## CONSIGNES DE SÉCURITÉ

# AVERTISSEMENTS

- **IMPORTANT - À LIRE ATTENTIVEMENT ET À CONSERVER POUR RÉFÉRENCE ULTÉRIEURE.**
- Ce produit est conforme aux normes européennes concernant les remorques de bicyclettes et poussettes pour enfant: EN 15918:2011+A2:2017, EN 1888-2:2018
- Ce siège ne convient pas à des enfants de moins de 6 mois.
- Ce siège n'est pas approprié pour des enfants qui ne peuvent rester assis sans assistance ou qui n'ont pas une force suffisante dans le cou. Dans le doute, consultez un pédiatre.
- Ne pas utiliser avec des enfants qui dépassent les limites de poids.
- Ne jamais laisser un enfant sans surveillance.
- Évitez que l'enfant puisse tomber ou glisser hors du siège afin d'éviter de graves blessures. Toujours utiliser le système de retenue.
- Les occupants doivent toujours porter un casque approuvé et correctement ajusté.
- Le tractage d'une remorque affecte la stabilité de la bicyclette et augmente la distance de freinage nécessaire.
- Cette remorque est plus large que votre bicyclette. Prévoyez un dégagement supplémentaire et souvenez-vous que votre rayon de braquage sera plus important.
- Avant de toute utilisation, assurez-vous que la remorque ne gêne pas le freinage, le pédalage ou le guidage de la bicyclette.
- Ne permettez jamais que des parties du corps de l'enfant, les vêtements de l'enfant, les lacets de ses chaussures ou des jouets puissent toucher des composants en mouvement.
- N'installez jamais aucun siège de voiture dans la remorque, ni aucun autre dispositif n'ayant pas été approuvé par le fabricant.
- N'apportez aucune modification à la remorque !
- Ne circulez jamais en bicyclette la nuit sans éclairage approprié. Obéissez à toutes les réglementations locales concernant l'éclairage.
- Un réflecteur conforme à la réglementation de la CPSC doit être visible sur l'arrière de la remorque.
- Vérifiez la pression des pneus avant chaque utilisation. Gonflez toujours les pneus à la pression indiquée sur les pneus.
- N'utilisez pas de solvants de nettoyage. Ne nettoyez qu'avec un mélange de savon et d'eau.
- Ne pas observer les instructions du fabricant peut entraîner de graves blessures et même la mort des passagers et/ou du conducteur.
- Ne pas laisser l'enfant jouer avec ce produit.
- S'assurez que tous les dispositifs de verrouillage sont enclenchés avant utilisation.
- Assurez-vous que le frein de stationnement est bien engagé lorsque vous allez placer ou sortir vos enfants de l'engin.
- Pour éviter toute blessure, maintenir l'enfant à l'écart lors du dépliage et du pliage du produit.
- Ce produit ne convient pas pour faire du jogging ou des promenades en rollers.
- N'utilisez aucun accessoire qui n'est pas approuvé par le fabricant.
- N'utilisez que des composants fournis ou recommandés par le fabricant ou par le fournisseur.
- Gardez à l'esprit les dangers d'exposition des passagers de la remorque aux conditions météorologiques ; coups de froid en cas de basses températures ou déshydratation en cas de températures élevées sans ventilation ou hydratation appropriés.
- Les utilisations non prévues peuvent mener à des situations dangereuses. Hamax n'est pas responsable des dommages causés par des utilisations non prévues. Toute utilisation non prévue est aux risques de l'utilisateur.
- Lorsque vous allez utiliser la remorque de bicyclette, fermez le capot avant.

- Toute charge attachée au poussoir at/ou à l'arrière du dossier et/ou sur les côtés du véhicule peut affecter sur la stabilité du véhicule.
- Ne rangez aucun colis dans ou en dehors de la remorque, autre que dans le compartiment de bagages, puisque cela affecterait la stabilité de la remorque.
- N'oubliez pas de retirer la roue pivotante lorsque vous faites du vélo

### Sécurité de la bicyclette

Avant d'attacher la remorque de à votre bicyclette, assurez-vous que celle-ci est appropriée pour tracter une remorque selon les instructions du fabricant de la bicyclette et qu'il est équipée de freins suffisamment puissants. Il est recommandé qu'un technicien de bicyclettes vérifie la sécurité de la bicyclette sur laquelle sera attachée la remorque avant toute utilisation. Des restrictions légales pourraient être applicables si vous allez tracter la remorque avec une bicyclette à assistance motorisée.

### Comportement en circulation

Lorsque vous tractez une remorque, la bicyclette se comporte différemment et répond moins rapidement à cause du poids de la remorque. Familiarisez-vous avec ce comportement en pratiquant avec une remorque chargée dans une zone peu fréquentée, avant de vous aventurer sur des routes publiques.

Rappelez-vous que la bicyclette a une distance de freinage plus importante à cause du poids de la remorque. Soyez prudent lorsque descendez une pente, car votre bicyclette gagnera plus rapidement de la vitesse.

Ne dépassez pas la vitesse maximale spécifiée dans ce manuel et ralentissez dans les virages ou sur des routes irrégulières. Évitez de rouler sur des galets, sur des bordures ou sur d'autres obstacles pouvant entraîner un renversement de la remorque.

L'utilisation de la remorque dans des conditions météorologiques, de route ou de trafic défavorables, peut entraîner des situations dangereuses. Faites toujours prévaloir votre bon jugement lorsque vous décidez si les conditions d'utilisation de la remorque sont favorables ou non.

### Forte visibilité

Afin d'améliorer la visibilité et la sécurité dans le trafic, le transporteur multifonctionnel est équipé de réflecteurs (blancs) à l'avant, (rouges) à l'arrière et (oranges) sur les roues. Les pneus ont également des bandes réfléchissantes. Des joints réfléchissants sont intégrés dans le tissu extérieur. Lorsque vous utilisez le transporteur en tant que remorque de bicyclette, vous devez également mettre en place le fanion de sécurité orange pour améliorer encore la visibilité [8]. Utilisez le feu arrière inclus, voir [16].

### Utilisation prévue

La remorque est prévue pour le transport d'enfants, comme spécifié dans ce manuel, sur des routes publiques à trafic léger, avec trottoirs et surface lisse. Hamax considère l'utilisation de la remorque de toute autre manière comme étant inappropriée, y-compris, sans s'y limiter :

- circuler à vitesse excessive
- circuler en conditions « tout-terrain »
- utiliser la remorque à des fins commerciales
- transporter des animaux
- rangement de bagages dans ou en dehors de la remorque, autre que dans le compartiment de bagages de la remorque
- tracter la remorque à l'aide de véhicules motorisés
- ne pas respecter les instructions dans ce manuel

## AVANT DE COMMENCER - INSTALLATION

### [1] Contenu de l'emballage

- Corps de remorque (1x) [1a]
- Roue à libération rapide (2x) [1b]
- Bras de bicyclette (1 x) [1c]
- Fanion de sécurité (1x) [1d]
- Roue pour poussette (1x) [1e]
- Manuel de l'utilisateur de l'Traveller de Hamax (1x)

- Barre de poussée [2a]
- Poche du capot frontal [2b]
- Capot frontal [2c]
- Coussinets de siège [2d]
- Point de connexion sécurisé [2e]
- Frein de stationnement [2f]
- Protection de roue [2g]
- Fixation de bras de bicyclette [2h]
- Poignée de libération de la barre de poussée [2i]
- Dossier siège arrière [2j]
- Espace de rangement [2k]

### [2] Vue d'ensemble du produit

### [3] Installation de l'attelage sur votre bicyclette

- Retirez la libération rapide ou l'écrou [3a] du côté gauche de l'essieu arrière de votre bicyclette. Placez l'attelage [3b] entre la libération rapide ou l'écrou et le cadre. Remontez et serrez la libération rapide ou l'écrou, selon les instructions du fabricant de la bicyclette.
- Dirigez l'attelage vers l'arrière. Maintenez l'alignement / l'angle entre l'attelage et le bras de bicyclette aussi droit que possible.

#### [4] Montage des protections de roue

- Placez les deux protections de roue [4a] dans les 2 trous sur le côté du cadre. Fixez la vis [4 b] par le bas à l'intérieur du cadre. Utilisez la clé Allen fournie avec les protections de roue.

#### [5] Déplier la remorque

- Saisissez le cadre arrière [5a] dans le compartiment de rangement arrière [2k] et tirez-le vers l'arrière. Ce faisant, vous pouvez pousser le cadre supérieur [5 b] vers l'avant.
- Les verrous rabattables [6a] s'enclenchent automatiquement et vous entendrez un dé clic.
- Vérifiez que le mécanisme de pliage est verrouillé en essayant de pousser le cadre arrière vers l'avant.
- Insérez la barre de poussée [5c] dans sa connexion [12a], appuyez sur les boutons de la barre de poussée [12b] et insérez la barre de poussée jusqu'à son verrouillage. Placez la barre de poussée à la position la plus haute lorsque vous allez faire du vélo [12c].

#### [6] Replier la remorque

- Retirez la barre de poussée en appuyant sur les boutons [12].
- Tirez les deux verrous de pliage [6a] et poussez le cadre vers l'avant jusqu'à ce qu'il se replie.
- Poussez doucement le cadre supérieur vers le bas à sa position repliée et repliez les tissus dans la remorque.

#### [7] Montage des roues à libération rapide

- Assurez-vous que le frein de stationnement n'est pas engagé [2f] et que l'axe de la roue [7a] est propre.
- Maintenez enfoncé le bouton [7b] et insérez l'essieu de la roue dans la douille. Tirez sur la roue pour vérifier qu'elle est fermement montée.

#### [8] Montage du fanion de sécurité

- Placez la tige du fanion [8a] dans le trou [8 b] à côté de la barre de poussée. Si nécessaire, ouvrez le compartiment à bagages pour trouver le trou de la tige du fanion. Placez la tige du fanion dans le logement sur le côté de la remorque de bicyclette le plus exposé à la route.

## UTILISATION

#### [9] Utilisation de la roue de poussette

- Pour l'attacher : Insérez la goupille de la roue de poussette [1e] dans la connexion avant de la poussette [9a]. Tirez sur la roue de poussette pour vérifier qu'elle est fermement montée.
- Pour la retirer : Poussez sur le bouton [9 b] pour déverrouiller la roue de poussette [1e] et la retirer hors de la connexion avant [9a].
- Lors d'une promenade, vous pouvez ranger le bras de bicyclette [1c] en position arrière dans la fixation du bras de bicyclette [10a] [19]. N'utilisez pas le bouton du bras de bicyclette [10 b] dans cette position.

#### [10] Attacher le bras de bicyclette sur la remorque

- Glissez le bras de bicyclette [1c] dans la connexion du bras de bicyclette [10a].
- Poussez le bouton du bras de bicyclette [10 b] et insérez le bras jusqu'à ce qu'il s'enclenche.
- Insérez la goupille de verrouillage [10c] afin d'assurer la sécurité de la connexion. Tournez la goupille de verrouillage [10c] vers l'arrière et enclenchez-la sur elle-même. Tirez sur le bras de bicyclette pour vérifier qu'il est fermement monté.

#### [11] Attacher le bras de bicyclette sur la bicyclette

- Attachez fermement la barre de traction et la sangle de sécurité avant l'utilisation. Assurez-vous que la remorque est déchargée lorsque vous allez l'attacher sur la bicyclette ou l'en détacher.
- Glissez le bras de bicyclette sur l'attelage [11a]. Insérez la goupille de retenue [11b] dans le trou dans le bras de bicyclette et fermez-la. Vérifiez que le bras de bicyclette est fermement attaché en tirant sur le bras de bicyclette. Enroulez la sangle de sécurité autour du cadre de la bicyclette et attachez le crochet sur la plaque triangulaire [11c].
- Assurez-vous d'enrouler la sangle de sécurité autour de l'appui de chaîne [11d] ou l'appui du siège [11e] du cadre de votre bicyclette.

**ASTUCE** : Lorsque vous n'utilisez pas le bras de bicyclette vous pouvez le ranger dans la remorque

**ASTUCE** : Lorsque la sangle de sécurité est trop longue, vous pouvez l'enrouler deux fois autour du cadre pour vous assurer qu'elle ne s'emmêlera pas avec une partie en mouvement de la roue arrière.

#### [12] Réglage de la barre de poussée [2a]

- Retirez la barre de poussée [2a] en poussant ses goupilles de verrouillage [12 b] de chaque côté, puis retirez la barre de poussée.
- Réglez la barre de poussée à 180 degrés par rapport à la position basse [12d] ou haute [12c] souhaitée.
- Insérez la barre de poussée [5c] dans sa connexion [12a], appuyez sur les boutons de la barre de poussée [12b] et insérez la barre de poussée jusqu'à son verrouillage. Placez la barre de poussée à la position la plus haute lorsque vous allez faire du vélo [12c].

#### [13] Utilisation du frein de stationnement



- Pour l'actionner : Poussez le levier du frein de stationnement [13a] vers le bas jusqu'à ce que le bouton [13b] ressorte et que le levier soit verrouillé. Il se peut que vous deviez bouger en avant et en arrière la remorque pour que le goujon du frein près de la roue rentre dans son logement. Assurez-vous toujours de vérifier si le frein est engagé en poussant la remorque.
- Pour le libérer : Appuyez sur le bouton de déverrouillage [13b] du bout du pied pour permettre au levier [13a] de tourner vers le haut.

#### [14] Capots frontaux et écran solaire

- Le *Traveller* a 3 capots frontaux : un capot en plastique [14a], un capot à filet [14b] et un pare-soleil supplémentaire [14d]. Le capot en plastique et le filet peuvent être fixés au fond à l'aide des crochets juste au-dessus du cadre [14c].
- Pour fixer l'écran solaire, utilisez les bandes Velcro [14e], 4 pour la petite longueur ou 6 pour la longueur complète. Pour raccourcir l'écran solaire [14d], repliez-le et fixez les bandes Velcro du fond sur celles du haut [14f].
- Le capot frontal en plastique peut être rangé dans une poche sous le couvercle de la remorque lorsque vous ne l'utilisez pas. Le filet [14b] et l'écran solaire [14d] peuvent être rangés sous le capot en plastique [14g]. Fermez la poche à l'aide des boutons pour empêcher que les capots sortent de la poche pendant que vous roulez.

#### [15] Harnais de sécurité à 5 points

- Placez votre enfant dans le siège et passez ses bras dans l'espace entre les bretelles [15a] et la ceinture [15b]. Vérifiez que les bretelles soient correctement alignées aux épaules de votre enfant. Ajustez la hauteur en faisant glisser les clips [15e] derrière l'appui-tête vers le haut ou vers le bas.
- Insérez les clips des bretelles et de la ceinture dans le clip central [15c] sur la sangle de l'entre-jambe [15d], jusqu'à ce que vous sentiez qu'ils s'enclenchent. Réduisez la longueur de la sangle de l'entrejambe et des bretelles, pour que votre enfant soit fermement attaché. Vérifiez que le harnais de sécurité est bien verrouillé en tirant sur les deux bretelles.

#### [16] Montage des lumières

- Placez les lumières sur le côté de la remorque de bicyclette le plus exposé à la route.
- Arrière : Fixez le voyant rouge sur la barre de poussée [16]

## ENTRETIEN ET MAINTENANCE

### Vérifiez avant toute utilisation de la remorque

- Les roues sont correctement verrouillées sur la remorque.
- Les pneus sont gonflés à la pression spécifiée
- La remorque est correctement dépliée et le mécanisme est verrouillé sur les deux côtés. N'oubliez pas de verrouiller la barre de poussée.
- Le dossier du siège est correctement sécurisé et serré. Veuillez consulter la section de maintenance.
- Le fanion de sécurité et les lumières sont installés si nécessaire.
- **Pour assurer la sécurité de tous les composants importants tels que : barre de traction, dispositif d'attelage, cadre, ceintures de sécurité, équipement d'éclairage, pneus et roues, etc., vérifiez régulièrement le bon serrage des boulons des ensembles.**

### Rangement

Nous recommandons vivement de ranger la remorque *Traveller* à l'intérieur, dans un espace bien ventilé et hors des rayons directs du soleil.

**ASTUCE:** Une bâche de rangement Hamax est disponible pour une meilleure protection.

### Maintenance

- [17] Frein de stationnement [2f] : Si le frein ne s'enclenche pas sur les deux roues ou ne se dégage pas complètement (la roue émet alors un cliquetis), vous devez régler les câbles du frein de stationnement à l'aide des écrous de réglage [18a] situés de chaque côté des roues sous la remorque.
- La connexion est réalisée à l'aide de bandes Velcro dans la poche et sous les tissus du couvercle et avec des boutons sur les côtés de la remorque.
- Connexion de la roue de poussette [2e] : s'il y a des saletés dans la connexion de la roue de poussette [2e], rincez-la avec de l'eau.
- Dossier du siège [2j] : Pour assurer le confort et la sécurité du siège, serrez régulièrement les sangles [19] à l'arrière du dossier du siège. Assurez-vous de serrer d'abord le haut et ensuite le bas.
- N'utilisez pas de solvants de nettoyage. Ne nettoyez qu'avec un mélange de savon et d'eau.
- Les coussins du siège [2d] peuvent être retirés de la remorque pour les nettoyer. Lavez-les à la main ou en machine en cycle à froid et essorage de courte durée.
- Laissez se sécher complètement la remorque avant de la ranger afin d'éviter la formation de moisissures.
- Si la remorque a souffert d'un accident ou si elle est endommagée, consultez auprès de votre fournisseur pour vérifier si elle pourra encore être utilisée.
- Tous les composants importants tels que : la barre de traction, le dispositif de connexion, le cadre, les ceintures de sécurité, le matériel d'éclairage, les pneus, les roues, etc., garantissant la sécurité; vérification régulière si les assemblages boulonnés sont bien serrés.

## GARANTIE

Le porte-bébé multifonctionnel *Traveller* de Hamax est couvert par une garantie dès son achat. La période de garantie dépend de la législation du pays en question. La garantie s'applique aux vices de matériaux ou de fabrication et ne couvre pas les dommages dus à une mauvaise utilisation, un manque d'entretien, non observation des instructions du manuel de l'utilisateur, l'application de forces exagérées ou l'usure normale. Cette garantie ne s'applique qu'au premier propriétaire. Veuillez lire attentivement les recommandations d'utilisation et d'entretien. Des conditions pouvant causer une usure prématurée du transporteur pourraient ne pas être couvertes par la garantie. Si des réparations sont nécessaires sur le transporteur ou si souhaitez présenter une demande de garantie, veuillez contacter votre fournisseur local, chez lequel vous avez acheté le transporteur.

## MODE D'EMPLOI POUR BATTERIES (LE FEU ARRIÈRE)

- Il est interdit de recharger des piles non rechargeables.
- Enlever des piles rechargeables de l'article avant de les charger.
- Il est interdit d'utiliser de différents types de piles ainsi que des piles neuves et usées sur le même article.
- Seulement des piles du même type ou du type équivalent comme indiqué devront être utilisées.
- Mettre les piles en place tout en veillant à la polarité correcte.
- Il ne faut pas court circuiter les connexions électriques.
- Sortir les piles usagées de l'appareil.
- Ne pas brûler des piles usagées, car elles pourraient exploser ou couler.

### Renseignements concernant le traitement des piles usées



Le symbole imprimé sur les piles, sur l'emballage ou les documents joints signifie qu'après utilisation les piles ne doivent pas être jetées avec les déchets domestiques. Des lettres éventuellement ajoutées au-dessus du symbole du vide-ordures signifient que la pile contient du plomb (Pb), du cadmium (Cd) ou du mercure (Hg). Vous – le consommateur – êtes obligé par loi de transmettre toutes sortes de pile (non seulement des piles rechargeables mais encore des piles non-rechargeables), piles bouton incluses à un centre de rassemblement local ou au commerce. Cela est gratuit. Le propre traitement de piles permet le recyclage des matières premières précieuses et évite les effets négatifs possibles aux hommes et l'environnement.

### Renseignements concernant le traitement de vieux appareils électriques et électroniques



Le symbole imprimé sur le produit, sur l'emballage ou les documents joints signifie qu'après utilisation du produit il ne doit pas être jeté avec les déchets domestiques. Vous – le consommateur – êtes obligé par loi de transmettre des produits électriques ou électroniques à un centre de rassemblement local pour des appareils vieux électriques. Cela est gratuit. Veuillez enlever les piles du produit avant de l'éliminer. Le propre traitement de déchets électriques permet le recyclage des matières premières précieuses et évite les effets négatifs possibles aux hommes et l'environnement. Pour des ultérieures informations veuillez contacter votre commune locale ou le vendeur du produit.

# PL Dziękujemy za wybranie wielofunkcyjnej przyczepki rowerowej dla dzieci Hamax Traveller

Wielofunkcyjna przyczepka rowerowa dla dzieci z kółkiem do spacerówki.

Gratulujemy zakupu wielofunkcyjnej przyczepki rowerowej dla dzieci Hamax Traveller. Produkt Hamax Traveller można używać jako przyczepę i wózek spacerowy do bezpiecznego i wygodnego przewożenia dzieci. Prosimy o dokładne zapoznanie się z niniejszą instrukcją przed przystąpieniem do montażu i eksploatacji Hamax Traveller. Życzymy Państwu i Państwa dzieciom wielu udanych wycieczek!

Instrukcję należy przechowywać w bezpiecznym miejscu.

## SPECYFIKACJA PRODUKTU

- Patrz rysunek [A]
- Wymiary w złożeniu (wł. z osłonami na koła): 100 x 74 x 30 cm
- Masa przyczepki (po pełnym złożeniu z dyszlem): 13 kg
- \*\*\*Aby sprawdzić obciążenie, należy zważyć ciężar na końcu dyszla, gdy w przyczepce znajdują się pasażerowie i ładunek. Można to zrobić stając na wadze (uwzględniając własny ciężar). Stając na wadze trzymając dyszel w dłoniach. Należy trzymać go na właściwej wysokości. Od wartości pomiaru odjąć własny ciężar – uzyskany wynik stanowi obciążenie.

A



**Prędkość holowania**  
Zalecana prędkość: 16 km/h / 10 mph  
Prędkość maks.: 24 km/h / 15 mph



**Obciążenie zaczepu\*\***  
Min: 0 kg / 0 lb  
Maks: 8 kg / 17,5 lb



**Warunki fizyczne**  
Min. wiek: 6 miesięcy. Max: 22 kg / 48,5 lb  
Maks. wzrost dziecka: 117 cm / 3,83 ft



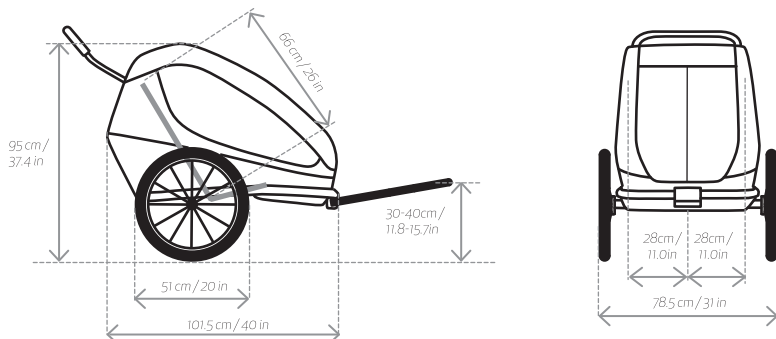
**Obciążenie**  
Wartość maks.: 47 kg / 105 lb  
Maks. waga dziecka: 22 kg / 48,5 lb  
Maks. ciężar wraz z przyczepką: 60 kg / 132 lb



**Bagaż**  
Maks: 5 kg / 11 lb



**Miejsca siedzące**  
Dla 1 lub 2 dzieci



## ZASADY BEZPIECZEŃSTWA

# OSTRZEŻENIE

- **Ważne** – WAŻNE! PRZECZYTAJ UWAGNIE I ZACHOWAJ NA PRZYSZŁEŁOŚĆ JAKO ODNIESIENIE
- Niniejszy produkt spełnia wymagania europejskich standardów dotyczących przyczepki rowerowych dla dzieci oraz wózków spacerowych: EN 15918:2011+A2:2017, EN 1888-2:2018
- To siedzisko nie jest odpowiednie dla dzieci w wieku poniżej 6. miesiąca życia.
- Siedzisko nie nadaje się dla dzieci, które nie mogą siedzieć bez pomocy, lub też nie mają wystarczająco silnego karku. Wrazie wątpliwości należy skontaktować się z lekarzem pediatrą.
- Nie stosować w przypadku dzieci, których waga przekracza wartości graniczne.
- Nie pozostawiać dziecka bez opieki.
- Unikać sytuacji, które mogą prowadzić do poważnych obrażeń będących wynikiem upadku lub ześlizgnięcia się. Zawsze używaj systemu zapieć.
- Pasażerowie powinni zawsze nosi odpowiednio zamocowany kask posiadający odpowiednie certyfikaty.
- Holowanie przyczepki wpływa na stabilność roweru oraz wydłuża drogę hamowania.
- Przyczepka jest szersza od roweru. Należy zapewnić dodatkowy odstęp oraz pamiętać o większym promieniu skrętu.
- Przed każdą jazdą należy sprawdzić, czy dołączona przyczepka nie utrudnia hamowania, pedałowania lub kierowania rowerem.
- Pamiętać, aby ciało dziecka, jego odzież, sznurówki lub zabawki nie stykały się z częściami ruchomymi.
- Wewnątrz przyczepki nie wolno montować fotelika samochodowego lub innego siedziska niezaprobowanego przez producenta.
- Nie dokonywać żadnych modyfikacji produktu.
- Nie jeździć na rowerze w nocy bez odpowiedniego oświetlenia. Przestrzegać wszelkich lokalnych przepisów dotyczących oświetlenia.
- Z tyłu przyczepki musi być widoczny reflektor zgodny z przepisami amerykańskiej komisji bezpieczeństwa produktów konsumenckich (CPSC).
- Przed rozpoczęciem użytkowania sprawdzić ciśnienie w oponach. Opony należy zawsze pompować do poziomu określonego dla opon tylnych.
- Nie używać rozpuszczalników czyszczących. Do czyszczenia stosować wyłącznie łagodne mydło i wodę.
- Nieprzestrzeganie instrukcji producenta może spowodować poważne obrażenia lub śmierć pasażera/rowerzysty.
- Nie pozwalaj dziecku bawić się tym wyrobem.
- Upewnij się przed użyciem, czy wszystkie urządzenia blokujące są włączone.
- Pamiętać, aby przed posadzeniem/zdjęciem dziecka hamulec postojowy był włączony.
- Aby uniknąć obrażeń, upewnij się, czy dziecko jest odsunięte kiedy rozkłada się lub składa niniejszy wyrób.
- Niniejszy wyrób nie jest odpowiedni do biegania ani jazdy na rolkach.
- Nie używać akcesoriów, które nie zostały dopuszczone przez producenta.
- Należy stosować wyłącznie części zamienne dostarczone lub zalecane przez producenta/dystrybutora.
- Należy pamiętać o ryzyku wychłodzenia i przegrzania, na które narażeni są pasażerowie przewożeni przez dłuższy czas w niskich lub wysokich temperaturach (bez wystarczającej wentylacji lub dostępu do wody).
- Niezamierzone użycie może prowadzić do wystąpienia niebezpiecznych sytuacji. Firma Hamax nie ponosi odpowiedzialności za szkody będące wynikiem niezamierzonego użycia. Za każde niezamierzone użycie odpowiada użytkownik.
- Zamykać przednią osłonę używając produktu jako przyczepę.
- Nie obciążać dodatkowo poręczy do pchania, gdyż wpływa to na stabilność przyczepki.
- Nie przechowywać bagażu wewnątrz lub na zewnątrz przyczepki w miejscach innych niż przeznaczony do tego celu schowek, gdyż wpływa to na stabilność produktu.
- Nie zapomnij zdjąć koła obrotowego podczas jazdy na rowerze

## Bezpieczeństwo roweru

Przed przymocowaniem przyczepki do roweru należy sprawdzić, czy rower nadaje się do ciągnięcia przyczepki zgodnie z instrukcją producenta roweru i jest wyposażony w prawidłowo działające hamulce. Rower, do którego ma być przyczepiona przyczepka, powinien najpierw przejść kontrolę bezpieczeństwa przeprowadzoną przez wykwalifikowanego mechanika. Przyczepki holowane przez rowery elektryczne EPAC mogą podlegać ograniczeniom prawnym.

## Zachowanie podczas jazdy

Podczas holowania rower jest cięższy i słabiej reaguje, co jest wynikiem oddziaływania ciężaru przyczepki. Przed jazdą po zatłoczonych drogach publicznych należy najpierw wypróbować obciążoną przyczepkę w spokojnej okolicy.

Należy pamiętać, że ze względu na ciężar przyczepki droga hamowania roweru wydłuża się. Należy zachować ostrożność podczas jazdy w dół zbrocza, gdyż rower może nagle nabrać prędkości.

Nie przekraczać maksymalnej wartości prędkości podanej w niniejszej instrukcji, oraz zwalniać podczas skrętów oraz jazdy po wyboistych trasach. Unikać jazdy po kamieniach, krawężnikach lub innych przeszkodach, które mogą spowodować przewrócenie przyczepki. Eksploatacja przyczepki w niesprzyjających warunkach pogodowych lub drogowych może doprowadzić do niebezpiecznych sytuacji. Podejmując decyzję o eksploatacji przyczepki należy zawsze kierować się zdrowym rozsądkiem.

## Dobra widoczność

W celu zapewnienia optymalnej widoczności i bezpieczeństwa w ruchu drogowym wielofunkcyjna przyczepka rowerowa posiada reflektory przednie (białe), tylne (czerwone) oraz umieszczone na kole (pomarańczowe). Także opony posiadają odblaskowe linie. Materiał pokrywający przyczepkę posiada odblaskową wypustkę. Używając produkt jako przyczepkę rowerową należy również umieścić pomarańczową chorągiewkę, która zapewni jeszcze lepszą widoczność [8].

Użyj dołączonego tylnego światła, patrz [16].

## Zastosowanie zgodne z przeznaczeniem

Zgodnie z niniejszą instrukcją przyczepka jest przeznaczona do przewożenia dzieci po drogach publicznych z sygnalizacją świetlną, chodnikach oraz równych alejkach. Firma Hamax traktuje każde inne zastosowanie produktu za niezgodne z przeznaczeniem – w tym, lecz nie wyłącznie:

- jazdę z nadmierną prędkością
- jazdę w trudnym terenie
- wykorzystanie produktu do celów komercyjnych
- transport zwierząt
- przechowywanie bagażu na zewnątrz lub wewnątrz produktu poza częścią bagażową
- ciągnięcie produktu przez pojazdy mechaniczne
- nieprzestrzeganie zaleceń zawartych w niniejszej instrukcji

## POCZĄTEK – INSTALACJA

### [1] Zawartość opakowania

- Korpus przyczepki (1x) [1a]
- Koło z szybkozamykaczem (2x) [1b]
- Dyszel (1x) [1c]
- Flaga bezpieczeństwa (1x) [1d]
- Kółko do spacerówki (1x) [1e]
- Instrukcja obsługi Hamax Traveller (1x)

- Poręcz do pchania [2a]
- Kieszeń osłony przedniej [2b]
- Osłona przednia [2c]
- Wypełnienia siedziska [2d]
- Przystawka koła do spacerówki [2e]
- Hamulec postojowy [2f]
- Osłona koła [2g]
- Przystawka dyszla [2h]
- Uchwyt zwalnijący [2i]
- Tylne oparcie na plecy [2j]
- Schowek [2k]

### [2] Opis produktu

### [3] Mocowanie zaczepu w rowerze

- Zdjąć szybkozamykacz lub nakrętkę [3a] po lewej stronie osi tylnego koła roweru. Umieścić zaczep [3b] pomiędzy szybkozamykaczem lub nakrętką a ramą. Założyć z powrotem szybkozamykacz lub nakrętkę i dokręcić zgodnie z zaleceniami producenta roweru.
- Skierować zaczep ku tyłowi. Zaczep i pałk rowerem powinny być ustawione względem siebie możliwie prosto.

### [4] Montaż osłon kół

- Umieścić dwie osłony kół [4a] w 2 otworach z boku ramy. Przykręcić śrubę [4b] od dołu wewnątrz ramy. Użyć klucza imbusowego dostarczonego z osłonami kół.

### [5] Rozkładanie przyczepki

- Chwyć ramę tylną [5a] wewnątrz tylnego schowka [2k] i pociągnąć ją do tyłu. Równocześnie można popchnąć górną ramę [5b] w przód.
- Blokady składania [6a] zablokują się automatycznie, na dowód czego słyszalny będzie dźwięk zatrzaśnięcia.
- Sprawdzić, czy mechanizm składający jest zablokowany, popychając ramę tylną w przód.

- Włożyć poręcz do pchania [5c] do jej złącza [12a], nacisnąć przyciski poręczy [12b] i wepchnąć ją aż do zablokowania. Na czas jazdy rowerem przestawić poręcz do popychania w najwyższe położenie [12c].

#### [6] Składanie przyczepki

- Zdjąć poręcz do pchania, naciskając przyciski [12].
- Pociągnąć obie blokadę składania [6a] i popchnąć ramę do przodu aż do jej złożenia.
- Delikatnie popchnąć ramę górną w dół do pozycji złożonej, a następnie złożyć materiał do wnętrza przyczepki.

#### [7] Montowanie kół z szybkozamykaczem

- Upewnić się, że hamulec postojowy nie jest używany [2f], oraz że oś koła [7a] jest czysta.
- Przytrzymać przycisk [7b] i wprowadzić oś koła do panewki. Pociągnąć za koło, aby sprawdzić połączenie.

#### [8] Montaż flagi bezpieczeństwa

- Umieścić słupek flagi [8a] w otworze [8b] obok poręczy do pchania. W razie potrzeby należy otworzyć bagażnik w celu zlokalizowania otworu na słupek flagi. Umieścić słupek flagi po tej stronie przyczepki, która znajduje się bliżej drogi.

## UŻYTKOWANIE

#### [9] Użycie koła do spacerówki

- W celu dotarczenia: Wsunąć sworzeń koła do spacerówki [1e] w przednie złącze spacerówki [9a]. Pociągnąć za koło, aby sprawdzić połączenie.
- W celu odłączenia: Nacisnąć przycisk [9b], aby odblokować i wyciągnąć koło spacerówki [1e] ze złącza przedniego [9a].
- Podczas przechadzki dyszel [1c] można umieścić w położeniu tylnym w przystawce dyszla [10a] [19]. Nie należy używać przycisku dyszla [10b] w tym położeniu.

#### [10] Dotłączanie dyszla do przyczepki

- Wsunąć dyszel [1c] do przystawki dyszla [10a].
- Nacisnąć przycisk dyszla [10b] i wepchnąć dyszel dalej, aż do usłyszenia dźwięku zatrzaśnięcia.
- Włożyć sworzeń blokujący [10c], aby zabezpieczyć połączenie. Obrócić sworzeń blokujący [10c] do tyłu i zatrzasnąć go. Pociągnąć za dyszel, aby sprawdzić połączenie.

#### [11] Dotłączanie dyszla do roweru

- Przed rozpoczęciem mocno przymocować dyszel & pasek zabezpieczający. Przyczepka nie może być obciążona podczas do- i odłączania roweru.
- Nasunąć dyszel na zaczep [11a]. Wsunąć sworzeń mocujący [11b] przez otwór w dyszlu i zamknąć go. Sprawdzić bezpieczne osadzenie dyszla pociągając za niego. Owinąć pasek zabezpieczający wokół ramy roweru i zamocować hak w trójkątnej płytce [11c].
- Pamiętać o owinięciu paska zabezpieczającego wokół widełek tylnych [11d] lub rury podsiodłowej [11e].

**WSKAZÓWKA:** Nieużywany dyszel można przechowywać w przyczepce

**WSKAZÓWKA:** Jeżeli pasek zabezpieczający jest za długi, należy owinąć go dwukrotnie wokół ramy tak, aby nie stykał się on z żadnym ruchomym elementem tylnego koła.

#### [12] Regulacja poręczy do pchania [2a]

- Zdemontować poręcz do pchania [2a], wciskając z każdej strony sworznie blokujące poręcz [12b] i wyciągając poręcz.
- Przestawić poręcz do pchania o 180 stopni w żądane położenie dolne [12d] lub górne [12c].
- Włożyć poręcz do pchania [5c] do jej złącza [12a], nacisnąć przyciski poręczy [12b] i wepchnąć ją aż do zablokowania. Na czas jazdy rowerem przestawić poręcz do popychania w najwyższe położenie [12c].

#### [13] Korzystanie z hamulca postojowego

- W celu użycia: Wcisnąć dźwignię hamulca postojowego [13a] w dół do momentu wyskoczenia przycisku [13b] i zablokowania dźwigni. Może zaistnieć konieczność lekkiego przesunięcia przyczepki w przód i w tył, aby sworzeń hamulca znajdujący się w pobliżu koła trafił w otwór. Zawsze należy sprawdzać, czy hamulec jest załączony poprzez popchnięcie przyczepki.
- W celu odblokowania: Popchnąć stopą przycisk zwalniania [13b], powodując obrócenie się dźwigni [13a] do położenia górnego.

#### [14] Osłony przednie i osłona przeciwstłoneczna

- Przyczepka Traveller jest wyposażona w 3 osłony przednie: osłona z tworzywa sztucznego [14a], osłona z siatki [14b] oraz dodatkowa osłona przeciwstłoneczna [14d]. Osłona z tworzywa sztucznego i osłona z siatki są mocowane na dole za pomocą haczyków znajdujących się tuż nad ramą [14c].
- Osłona przeciwstłoneczna jest mocowana na rzepy [14e]: 4 dla skróconej osłony lub 6 dla pełnej długości. W celu skrócenia osłony [14d] należy złożyć ją i przyczepić rzepy dolne do górnych [14f].
- Nieużywaną przednią osłonę z plastiku można przechowywać w kieszeni znajdującej się pod wierzchem przyczepki. Osłonę z siatki [14b] i osłonę przeciwstłoneczną [14d] można przechowywać pod osłoną plastikową [14g]. Kieszeń należy zapinać, aby zapobiec wypadnięciu osłon podczas jazdy.

#### [15] 5-punktowe pasy bezpieczeństwa

- Posadzić dziecko i poprowadzić jego ramiona przez otwory pomiędzy barkową [15a] a biodrową częścią pasa [15b]. Sprawdzić, czy paski barkowe znajdują się na wysokości barków dziecka. Wyregulować wysokość przesuwając sprzączki [15e] nad podpórką pod głowę w górę lub w dół.
- Połączyć obydwie sprzączki pasa barkowego, a następnie wsunąć je do sprzączki środkowej [15c] na pasku kroczyowym [15d] do momentu zatrzaśnięcia. Skrócić długość paska kroczyowego oraz paszków barkowych, tak aby dziecko było dobrze przypięte. Sprawdzić, czy uprząż zabezpieczająca jest dobrze zapięta, pociągająca za oba paski barkowe.

#### [16] Montaż oświetlenia

- Umieścić oświetlenie z tej strony przyczepki, która znajduje się bliżej drogi.
- Tył: Zamocować czerwone światło na poręczu do pchania [16]

## OBŚLUGA I KONSERWACJA

### Przed rozpoczęciem eksploatacji sprawdzić, czy:

- Koła są odpowiednio zamocowane do przyczepki.
- Opony są napompowane tak, aby zapewnić określoną wartość ciśnienia
- Przyczepka jest prawidłowo rozłożona, a mechanizm zablokowany po obydwu stronach. Należy pamiętać o zablokowaniu poręczy do pchania.
- Oparcie na plecy jest dobrze zamocowane i dociśnięte. Patrz część poświęconą konserwacji.
- Flaga bezpieczeństwa oraz oświetlenie znajdują się w wymaganym miejscu.
- Wszystkie ważne elementy, takie jak zaczep, urządzenie łączące, rama, pasy bezpieczeństwa, oświetlenie, opony i koła itp. należy kontrolować pod kątem bezpiecznego stanu; należy przeprowadzać regularną kontrolę odpowiedniego dokręcenia połączeń śrubowych.

### Przechowywanie

Zalecamy przechowywanie przyczepki Traveller wewnątrz pomieszczeń, w suchym i dobrze wentylowanym pomieszczeniu z daleka od bezpośredniego światła słonecznego.

**WSKAZÓWKA:** Firma Hamax oferuje pokrowiec do przechowywania zapewniający lepszą ochronę.

### Konserwacja

- [17] Hamulec postojowy [2f]: Jeżeli hamulec postojowy nie zablokuje obydwu kół lub też nie odblokuje się w pełni (koło będzie wydawało wówczas dźwięk tykania), może zaistnieć konieczność wyregulowania jego linek za pomocą nastawnika [18a] po obu stronach koła pod przyczepką.
- Przyczepka rowerowa Traveller posiada wymienną osłonę dołączoną do kieszeni znajdującej się nad przednim otworem. Do mocowania służy rzep wewnątrz kieszeni pod górną częścią materiału oraz guziki po bokach przyczepki.
- Złącze koła do spacerówki [2e]; ewentualne zanieczyszczenia wnętrza złącza koła [2e] należy spłukać wodą.
- Tyłne oparcie na plecy [2j]: W celu zapewnienia komfortu i bezpieczeństwa fotelika regularnie dociągają paski [19] z tyłu oparcia na plecy. Dociąganie należy zacząć od góry, a kończyć na dole.
- Nie używać rozpuszczalników czyszczących. Do czyszczenia stosować wyłącznie łagodne mydło i wodę.
- Wypełnienie siedziska [2d] można wyjąć z przyczepki w celu oczyszczenia. Prać ręcznie lub w pralce w niskiej temperaturze, z krótkim wirowaniem.
- Całkowicie wysuszyć przyczepkę przed składowaniem, aby uniknąć stęchlizny.
- Jeżeli produkt uczestniczył w wypadku lub został uszkodzony, należy skontaktować się z dystrybutorem, który sprawdzi, czy nadaje się on do dalszego użytku..
- Wszystkie ważne elementy, takie jak: dyszel, urządzenie łączące, rama, pasy bezpieczeństwa, sprzęt oświetleniowy, opony i koła itp. Dla bezpiecznego stanu; regularna weryfikacja, czy zespoły śrubowe są dobrze dokręcone.

## GWARANCJA

Okres gwarancji wielofunkcyjnej przyczepki rowerowej dla dzieci Hamax Traveller rozpoczyna swój bieg od daty zakupu. Okres gwarancyjny zależy od przepisów obowiązujących w danym kraju. Gwarancja dotyczy wad materiałowych lub produkcyjnych i nie obejmuje uszkodzeń wynikających z nieprawidłowego użytkowania, braku konserwacji, nieprzestrzegania zaleceń zawartych w instrukcji, stosowania siły lub normalnego zużycia. Niniejsza gwarancja obowiązuje wyłącznie w przypadku pierwotnego użytkownika. Prosimy o dokładne zapoznanie się z zaleceniami dotyczącymi użytkowania i konserwacji. Gwarancja nie obejmuje warunków powodujących przedwczesne zużycie produktu. Jeżeli produkt wymaga serwisowania lub ma być złożone zgłoszenie gwarancyjne, należy skontaktować się z lokalnym dystrybutorem, od którego go nabyto

## OGÓLNE INSTRUKCJE DOTYCZĄCE BATERII

- Nie wolno ładować baterii jednorazowych.
- Ładowane baterie wyjąć przed ładowaniem z elementu.
- W jednym elemencie nie wolno stosować baterii różnych typów oraz baterii starych i nowych.
- Używać wyłącznie baterii tego samego lub równoważnego typu w podany sposób.
- Upewnić się, że pozycja biegunów włożonych baterii jest prawidłowa.
- Nie zwierać zacisków zasilania.
- Rozładowane baterie wyjąć z elementu.
- Nie wolno palić rozładowanych baterii, ponieważ mogą one wybuchnąć lub przeciekać.

### Informacje na temat utylizacji zużytych baterii



Przedstawiony z lewej strony symbol umieszczony na bateriach, opakowaniu lub w załączonych dokumentach oznacza, że baterii nie należy wyrzucać wraz z odpadami domowymi po zakończeniu ich cyklu życia. Litera, które mogą zostać dodane pod symbolem pojemnika na śmieci, oznaczają, że bateria zawiera ołów (Pb), kadm (Cd) lub rtęć (Hg). Konsumenci są prawnie zobowiązani do przekazania baterii każdego rodzaju (zarówno ładowalnych, jak i jednorazowych) wraz z ogniwami guzikowymi w lokalnych miejscach odbioru lub w punktach handlu detalicznego. Ta usługa jest bezpłatna. Prawidłowa utylizacja umożliwia ponowne wykorzystanie cennych zasobów i pozwala uniknąć możliwego negatywnego wpływu na ludzi i środowisko.

### Informacje na temat utylizacji starych produktów elektrycznych i elektronicznych



Przedstawiony symbol umieszczony na produkcie, opakowaniu lub w załączonych dokumentach oznacza, że produktu nie należy wyrzucać wraz z odpadami domowymi po zakończeniu jego cyklu życia. Konsumenci są prawnie zobowiązani do przekazania produktów elektrycznych i elektronicznych w lokalnych miejscach odbioru sprzętu elektronicznego. Ta usługa jest bezpłatna. Przed zutylizowaniem produktu należy usunąć z niego baterie. Prawidłowa utylizacja umożliwia ponowne wykorzystanie cennych zasobów i pozwala uniknąć możliwego negatywnego wpływu na ludzi i środowisko. Aby uzyskać więcej informacji, należy skontaktować się z lokalnym urzędem lub sprzedawcą produktu.



# RU Благодарим вас за выбор многофункционального детского прицепа Hamax Traveller

Многофункциональный велосипедный детский прицеп с колесом для использования в качестве прогулочной коляски.

Поздравляем вас с приобретением многофункционального детского прицепа Hamax Traveller. Вы можете перевозить ребенка безопасным и удобным способом, используя Hamax Traveller в качестве велоприцепа, а также прогулочной коляски. Перед сборкой или использованием Hamax Traveller внимательно прочитайте инструкцию. Мы желаем вам и вашим детям приятных поездок!

**Сохраните эту инструкцию в надежном месте для последующего использования.**

## ХАРАКТЕРИСТИКИ

- См. характеристики на изображении [A]
- Размеры в сложенном виде (включая предохранительные щитки): 100 x 74 x 30 см
- Вес прицепа (полностью собранный прицеп вместе с велосипедным кронштейном): 13 кг
- \*\*Для проверки нагрузки на тяговое устройство измеряйте вес на конце велосипедного кронштейна, когда в прицепе находятся пассажиры и груз. Вы можете провести измерения, став на весы (запомните свой собственный вес). Станьте на весы, удерживая в руках велосипедный кронштейн. Проследите за тем, чтобы велосипедный кронштейн удерживался на правильной высоте. Отнимите свой собственный вес, и полученное число будет соответствовать нагрузке на тяговое устройство..

A



**Скорость буксировки**Рекомендуемая скорость: 16км/ч / 10миль/час  
Макс. скорость: 24км/ч / 15миль/час



**Нагрузка на тяговое устройство\*\***  
Мин.: 0 кг / 0 фунтов  
Макс.: 8 кг / 17,5 фунтов



**Физические ограничения**  
Мин. возраст: 6 месяцев.  
Макс: 22 кг  
Макс. рост ребенка: 117 см / 3,83 фута



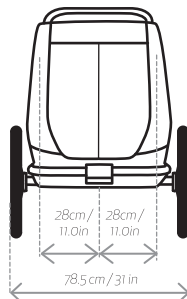
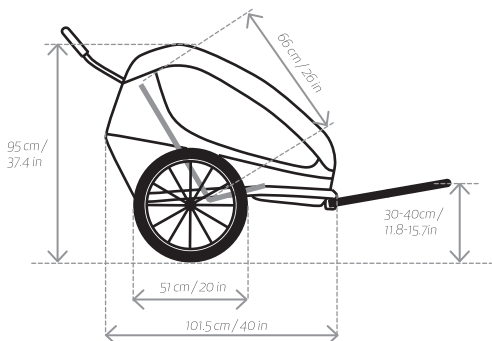
**Грузоподъемность**  
Макс. нагрузка: 47 кг / 105 фунтов  
Макс. вес ребенка: 22 кг / 48,5 фунтов  
Макс. вес вместе с прицепом: 60 кг / 132 фунта



**багаж**  
Макс: 5 кг / 11 фунтов



**Посадочные места**  
Для 1 или 2 детей





# ПРЕДУПРЕЖДЕНИЯ

- **Важно!** Сохраните эту инструкцию для использования в будущем
- Это изделие соответствует европейским стандартам для детских велосипедных прицепов и колясок:  
EN 15918:2011+A2:2017, EN 1888-2:2018
- Сиденья не предназначены для детей в возрасте до 6 месяцев.
- Сиденья не предназначены для детей, которые не могут сидеть без посторонней помощи, или которые не обладают достаточной прочностью шейного отдела позвоночника. Если у вас возникнут сомнения, проконсультируйтесь с педиатром.
- Не перевозите детей, которые превышают ограничения по весу.
- Никогда не оставляйте ребенка без присмотра.
- Падение или выскальзывание может привести к серьезным травмам. Всегда используйте систему фиксации.
- Пассажиры должны всегда носить правильно подогнанные и сертифицированные шлемы.
- Буксировка прицепа влияет на устойчивость велосипеда и увеличивает тормозной путь.
- Этот прицеп шире велосипеда. Оставляйте дополнительное пространство и помните о большем радиусе поворота.
- Перед каждой поездкой проверяйте, чтобы прицеп не мешал торможению, кручению педалей и управлению велосипедом.
- Тело ребенка, его одежда, обувные шнурки или игрушки не должны контактировать с движущимися частями.
- Не устанавливайте внутрь прицепа автокресла или любые другие сиденья, которые не разрешены производителем.
- Не вносите никаких изменений в конструкцию прицепа.
- Никогда не используйте велосипед ночью без надлежащего освещения. Соблюдайте все действующие законодательные требования к освещению.
- На задней части прицепа должен быть закреплен отражатель, соответствующий требованиям Комиссии по безопасности потребительских товаров (CPSC).
- Перед использованием проверяйте давление в шинах. Всегда накачивайте шины до уровня давления, указанного на их внешней стороне.
- Не используйте чистящие средства. Проводите очистку только с помощью слабого мыльного раствора.
- Несоблюдение указаний производителя может привести к тяжелым травмам или смерти пассажира/велосипедиста.
- Не позволяйте своему ребенку играть с этим изделием.
- Перед использованием удостоверьтесь, что все запорные приспособления закрыты.
- Во время посадки и высадки детей необходимо обязательно задействовать стояночный тормоз.
- Во избежание травм во время раскладывания и складывания изделия дети должны находиться на безопасном расстоянии.
- Это изделие не предназначено для использования во время бега или катания на коньках. Для использования во время бега необходимо

- установить беговой комплект (с беговым колесом, ручным тормозом и предохранительным ремнем). Беговой комплект продается отдельно.
- Не используйте принадлежности, которые не разрешены производителем.
  - Обязательно используйте только те запасные части, которые предоставлены или рекомендованы производителем/дистрибьютором.
  - Помните об опасностях, связанных с воздействиями температуры, например, переохлаждение ветром, тепловой удар или когда менее активные пассажиры прицепа длительное время находятся под воздействием низких температур либо высоких температур без достаточной вентиляции или восполнения потери жидкости.
  - Использование не по назначению может привести к опасным ситуациям. Компания Nantax не несет ответственности за любой ущерб по причине непредусмотренного использования. За все последствия, связанные с использованием не по назначению, отвечает сам пользователь.
  - Во время использовании велоприцепа необходимо закрывать передний чехол.
  - Не крепите какой-либо груз на ручку-толкатель, так как это влияет на устойчивость прицепа.
  - Не храните багаж в каком-либо месте внутри или снаружи прицепа, кроме багажного отделения, так как это влияет на устойчивость прицепа.
  - Не забудьте снять поворотное колесо, когда едете на велосипеде

### **Безопасность велосипеда**

Перед присоединением велосипедного прицепа к велосипеду убедитесь, что ваш велосипед подходит для буксировки прицепа в соответствии с инструкцией производителя велосипеда и оснащен хорошо работающими тормозами. Рекомендуется, чтобы велосипед, к которому будет присоединен прицеп, был предварительно проверен квалифицированным механиком на предмет безопасности. Велосипедные прицепы, которые буксируются pedalными электровелосипедами, могут быть запрещены законом.

### **Манера езды**

Во время буксировки управление велосипедом будет более тяжелым и менее отзывчивым из-за веса прицепа. Перед выездом на оживленную дорогу сначала попрактикуйтесь с присоединенным загруженным прицепом в спокойном месте, чтобы привыкнуть к управлению велосипедом. Не забывайте, что из-за веса прицепа тормозной путь велосипеда будет большим. Соблюдайте осторожности при движении вниз по склону, так как велосипед будет набирать скорость быстрее. Не превышайте указанную в настоящем руководстве максимальную скорость и замедляйтесь при прохождении поворотов и во время движения по неровной дороге. Старайтесь избегать езды по камням, бордюрам и другим препятствиям, которые могут опрокинуть прицеп. Использование прицепа в неблагоприятных погодных или дорожных условиях может привести к опасным ситуациям. Всегда руководствуйтесь здравым смыслом при принятии решения относительно того, являются ли условия безопасными для использования прицепа.

### **Хорошая видимость**

Для повышения видимости и безопасности во время движения многофункциональный прицеп оснащен передним (белым), задним (красным) и колесными (оранжевыми) отражателями. Шины также имеют светоотражающие линии. В ткань с внешней стороны интегрированы светоотражающие трубки. При использовании прицепа в качестве велоприцепа вам также следует применять оранжевый флажок для обеспечения еще лучшей видимости [8]. Используйте задний фонарь, который входит в комплект, см. [16].

### **Использование по назначению**

Прицеп предназначен для перевозки детей в соответствии с содержащимися в настоящем руководстве указаниями по дорогам общего пользования с неинтенсивным движением, тротуарам и ровным дорожкам. Компания Nantax считает эксплуатацию прицепа любым другим способом, отличающимся от указаний, использованием не по назначению, включая, среди прочего, следующее:

- езда с превышением скорости;
- езда по бездорожью;
- эксплуатация прицепа в коммерческих целях;

- перевозка животных;
- хранения багажа в каком-либо месте внутри или снаружи прицепа, кроме багажного отделения;
- буксировка прицепа моторизованным транспортным средством;
- несоблюдение содержащихся в настоящем руководстве указаний.

## **ПОДГОТОВКА К ЭКСПЛУАТАЦИИ - МОНТАЖ**

### **[1] Содержимое упаковки**

- Корпус прицепа (1x) [1a]
- Быстросъемное колесо (2x) [1b]
- Велосипедный кронштейн (1x) [1c]
- Предупредительный флажок (1x) [1d]
- Колесо для использования в качестве прогулочной коляски (1x) [1e]
- Руководство пользователя Namax Traveller (1x)

### **[2] Элементы изделия**

- Ручка-толкатель [2a]
- Карман переднего чехла [2b]
- Передний чехол [2c]
- Обивка сиденья [2d]
- Крепление колеса для использования в качестве прогулочной коляски [2e]
- Стояночный тормоз [2f]
- Предохранительный щиток [2g]
- Крепление велосипедного кронштейна [2h]
- Рукоятка разблокировки ручки-толкателя [2i]
- Задняя часть спинки сиденья [2j]
- Место для хранения [2k]

### **[3] Установка навесного устройства на велосипед**

- Снимите эксцентрик или гайку [3a] с левой стороны оси заднего колеса велосипеда. Поместите навесное устройство [3b] между эксцентриком или гайкой и рамой. Поместите эксцентрик или гайку обратно и затяните в соответствии с указаниями изготовителя велосипеда.
- Направьте навесное устройство по направлению к задней части. Добейтесь максимальной соосности между навесным устройством и велосипедным кронштейном.

### **[4] Прикрепите предохранительные щитки**

- Поместите два предохранительных щитка [4a] в два отверстия на боковой части рамы. Затяните винт [4b] снизу внутри рамы. Для крепления предохранительных щитков используйте торцовый ключ, входящий в комплект поставки.

### **[5] Раскладывание прицепа**

- Возьмитесь за заднюю часть рамы [5a] позади отделения для багажа [2k] и потяните ее назад. Продельвая это, вы можете сдвинуть верхнюю раму [5b] вперед.
- Замки блокировки [6a] блокируются автоматически, вы услышите щелчок.
- Убедитесь, что механизм складывания заблокирован, попробовав вернуть заднюю часть рамы вперед.
- Вставьте ручку-толкатель [5c] в соответствующее соединение [12a], нажмите кнопки на ручке [12b] и нажмите на нее, пока она не зафиксируется. При езде на велосипеде, разместите ручку-толкатель в самом верхнем положении [12c].

### **[6] Складывание прицепа**

- Снимите ручку-толкатель, нажав кнопки [12].
- Потяните оба замка блокировки [6a] и сдвиньте раму вперед до ее складывания.
- Аккуратно надавите верхнюю раму вниз в ее положение складывания и сложите покрытие в прицеп.

### **[7] Монтаж быстросъемных колес**

- Удостоверьтесь, что стояночный тормоз не задействован [2f] и что ось колеса [7a] чиста.
- Удерживая кнопку [7b], вставьте ось колеса в гнездо. Потяните за колесо, чтобы проверить надежность соединения.

### **[8] Установка предупредительного флажка**

- Поместите флажок [8a] в отверстие [8b] за ручкой-толкателем. При необходимости откройте багажное отделение, чтобы найти отверстие для флажка. Поместите флажок на ту сторону велоприцепа, которая обращена к дороге.

## **ЭКСПЛУАТАЦИЯ**

### **[9] Применение колеса для использования в качестве прогулочной коляски**

- Чтобы прикрепить: Вставьте штифт колеса для коляски [1e] в переднее соединение для коляски

[9a]. Потяните за колесо для коляски, чтобы проверить надежность соединения.

- Чтобы снять: Нажмите кнопку [9b], чтобы разблокировать и вытянуть колесо коляски [1e] из переднего соединения [9a].
- Во время прогулки в качестве коляски вы можете хранить велосипедный кронштейн [1c] в обратном положении в креплении велосипедного кронштейна. [10a] [19]. Не нажимайте кнопку велосипедного кронштейна [10b] в этом положении.

#### **[10] Присоединение велосипедного кронштейна к велосипеду**

- Вставьте велосипедный кронштейн [1c] в крепление велосипедного кронштейна [10a].
- Нажмите кнопку велосипедного кронштейна [10b] и задвиньте кронштейн дальше до щелчка.
- Вставьте стопорный штифт [10c], чтобы обеспечить безопасное соединение. Поверните стопорный штифт [10c] назад и защелкните его. Потяните кронштейн велосипеда, чтобы проверить надежность соединения.

#### **[11] Присоединение велосипедного кронштейна к велосипеду**

- Перед эксплуатацией надежно закрепите тяговое устройство и предохранительный ремень. В процессе присоединения и отсоединения прицеп должен быть пустым.
- Насадите велосипедный кронштейн на навесное устройство [11a]. Вставьте стопорный штифт [11b] сквозь отверстие в велосипедном кронштейне и закройте его. Убедитесь, что велосипедный кронштейн надежно закреплен, потянув за него. Пропустите предохранительный ремень вокруг рамы велосипеда и закрепите крюк на треугольнике [11c].
- Убедитесь, что предохранительный ремень проходит вокруг нижнего [11d] или верхнего [11e] пера рамы велосипеда.

**COBET:** Когда велосипедный кронштейн не используется, вы можете хранить его в прицепе

**COBET:** Когда предохранительный ремень слишком длинный, вы можете обернуть его вокруг рамы дважды, чтобы он не мешал каким-либо движущимся частям заднего колеса.

#### **[12] Регулировка ручки-толкателя [2a]**

- Потяните ручку-толкатель [2a], надавив стопорные штифты [12b] с каждой стороны, и вытяните ручку-толкатель.
- Поверните ручку-толкатель на 180 градусов до желаемого низкого [12d] или высокого положения [12c].
- Вставьте ручку-толкатель [5c] в соответствующее соединение [12a], нажмите кнопки на ручке [12b] и нажмите на нее, пока она не зафиксируется. При езде на велосипеде, разместите ручку-толкатель в самом верхнем положении [12c].

#### **[13] Использование стояночного тормоза**

- Включение: Поверните рычаг стояночного тормоза [13a] вверх, пока не выдвинется кнопка [13b], и рычаг не будет заблокирован. Вам может понадобиться слегка передвинуть прицеп вперед назад, чтобы тормозной штифт, который находится возле колеса, нашел свое отверстие. Всегда проверяйте, чтобы тормоз был задействован.
- Отключение: Нажмите ногой кнопку освобождения тормоза [13b] и рычаг [13a] повернется вверх.

#### **[14] Передние чехлы и солнцезащитная шторка**

- Велоприцеп Traveller имеет 3 передних чехла: пластиковый чехол [14a], сетчатый чехол [14b] и дополнительную солнцезащитную шторку [14d]. Пластиковый и сетчатый чехлы могут быть закреплены снизу при помощи крючков над рамой [14c].
- Для фиксации солнцезащитной шторки используйте застёжки-липучки [14e]: 4 для короткой длины и 6 для полной длины. Чтобы укоротить солнцезащитную шторку [14d], сложите ее и закрепите нижние застёжки-липучки на верхних [14f].
- Если в использовании нет необходимости, передний пластиковый чехол можно хранить в кармане под верхней частью прицепа. Сетчатый чехол [14b] и солнцезащитную шторку [14d] можно хранить под пластиковым чехлом [14g]. Во время езды закрывайте карман при помощи кнопок, чтобы предотвратить выпадение чехлов.

#### **[15] Пятиточечные ремни безопасности**

- Усадите ребенка так, чтобы его руки прошли через отверстие между плечевыми [15a] и поясными ремнями [15b]. Проверьте, чтобы плечевые ремни находились на одном уровне с плечами ребенка. Отрегулируйте высоту, сдвинув пряжки [15e] за подголовником вверх или вниз.
- Соедините две пряжки плечевого ремня вместе и вставьте их в центральную пряжку [15c] на паховом ремне [15d] так, чтобы они защелкнулись. Уменьшите длину пахового ремня, а также плечевых ремней, чтобы ребенок был надежно пристегнут. Убедитесь, что ремни безопасности зафиксированы, потянув за оба плечевых ремня.

## **[16]Установка фонарей**

- Разместите фонари на той стороне прицепа, которая больше всего обращена к дороге.
- Задняя часть: Закрепите красный фонарь на ручке-толкателе [16]

## **УХОД И ОБСЛУЖИВАНИЕ**

### **Перед использованием прицепа убедитесь, что:**

- Колеса надежно закреплены на прицепе.
- Шины накачаны в соответствии с указанным значением давления.
- Прицеп полностью разложен, а механизм зафиксирован с обеих сторон. Не забудьте заблокировать ручку-толкатель.
- Спинки сидений надежно зафиксированы. См. раздел о техобслуживании.
- Предупредительный флажок и фонари установлены, если есть такая необходимость.
- Все важные компоненты, такие как: тяговое устройство, соединительное устройство, рама, ремни безопасности, осветительные приборы, шины, колеса и т. д. находятся в хорошем состоянии (регулярно проверяйте, хорошо ли затянуты болтовые соединения).

### **Хранение**

- Настоятельно рекомендуется хранить прицеп Traveller в сухом и хорошо проветриваемом помещении, в защищенном от прямых солнечных лучей месте.  
**СОВЕТ:** Для лучшей защиты компанией Hamaх предлагается специальный чехол для хранения.

### **Техобслуживание**

- [17] Стояночный тормоз [2f]: Если тормоз не включается на обоих колесах или полностью не отключается (колесо начинает издавать тикающий звук), необходимо отрегулировать длину тросика стояночного тормоза при помощи регуляторов [18a] на каждой стороне колеса под прицепом.
- Прицеп Traveller имеет сменный отсек, который крепится в кармане над передним отверстием. Соединение производится при помощи застежки-липучки внутри кармана под верхней частью и кнопкой на боковых сторонах прицепа.
- Соединение колеса для использования в качестве прогулочной коляски [2e]. Если внутрь соединения колеса попала грязь [2e], промойте его водой.
- Спинка основания сиденья [2j]: Для удобного и безопасного движения регулярно натягивайте ремни [19] в задней части спинки основания сиденья. Обязательно начинайте натягивать их сверху, а затем снизу.
- Не используйте очищающие растворители. Проводите очистку только с помощью слабого мыльного раствора.
- Обивку сидений [2d] можно снять с прицепа для очистки. Стирайте сидения вручную или в стиральной машинке в холодной воде и с коротким циклом отжима.
- Дайте прицепу полностью высохнуть, перед тем как спрятать на хранение, чтобы предотвратить его покрытие плесенью.
- Если прицеп попал в аварию или был каким-либо образом поврежден, обратитесь к продавцу, чтобы проверить, можно ли продолжать его использовать.
- Все важные компоненты, такие как: дышло, соединительное устройство, рама, ремни безопасности, осветительное оборудование, шины и колеса и т. Д. Для безопасного состояния; регулярная проверка, хорошо ли затянуты болтовые соединения.

## **ГАРАНТИЯ**

Гарантия на многофункциональный детский прицеп Hamaх Traveller действует от даты его продажи. Гарантийный срок зависит от законодательства соответствующей страны. Гарантия распространяется на дефекты материалов и изготовления, и не покрывает повреждения, вызванные неправильным использованием, отсутствием обслуживания, несоблюдением руководства пользователя, применением чрезмерной силы или естественным износом. Гарантия действительна только для первоначального покупателя. Пожалуйста, внимательно ознакомьтесь с рекомендациями по обслуживанию и эксплуатации. Условия, которые могут привести к преждевременному износу прицепа, не покрываются гарантийными обязательствами. Если прицеп нуждается в техобслуживании, или если вы хотите обратиться за гарантийным обслуживанием, свяжитесь с местным дилером, у которого вы приобрели прицеп.

## ОБЩИЕ ИНСТРУКЦИИ ДЛЯ БАТАРЕЙ

- Неперезаряжаемые батареи нельзя заряжать.
- Извлеките перезаряжаемые батареи из устройства перед их зарядкой.
- Разные типы батарей, а также старые и новые батареи не должны использоваться вместе в одном устройстве.
- Можно использовать батареи только одного или аналогичного типа, как указано.
- Пожалуйста, убедитесь, что батареи вставлены с соблюдением правильной полярности.
- Проверьте, чтобы в источнике питания не было короткого замыкания.
- Вынимайте разряженные батареи из устройства.
- Нельзя сжигать разряженные батареи, так как они могут взорваться или протечь.

### Информация об утилизации разряженных батарей



Изображенный символ на батарее, упаковке или прилагаемой документации означает, что батарею после окончания срока службы не следует выбрасывать вместе с бытовыми отходами. Возможные буквы под символом мусорного бака означают, что батареи содержат свинец (Pb), кадмий (Cd) или ртуть (Hg). Вы, как потребитель, обязаны по закону передавать все виды батарей (как перезаряжаемых, так и неперезаряжаемых), включая часовые батарейки, в местные пункты сбора или в розничные магазины. Это бесплатно. Правильная утилизация позволяет перерабатывать ценные ресурсы и избежать возможных негативных последствий для людей и окружающей среды.

### Информация об утилизации старых электрических и электронных устройств



Изображенный символ на устройстве, упаковке или прилагаемой документации означает, что устройство после окончания срока службы не следует выбрасывать вместе с бытовыми отходами. Вы, как потребитель, обязаны по закону передавать электрические и электронные устройства в местные пункты сбора электронного оборудования. Это бесплатно. Извлеките батареи перед утилизацией устройства. Правильная утилизация позволяет перерабатывать ценные ресурсы и избежать возможных негативных последствий для людей и окружающей среды. Для получения дополнительной информации, пожалуйста, свяжитесь с вашим местным органом власти или поставщиком продукции.

# CS Děkujeme, že jste si vybrali víceúčelový dětský vozík Hamax Traveller

Multifunkční dětský vozík pro jízdní kolo včetně kola kočárku.

Blahopřejeme ke koupi víceúčelového dětského vozíku Hamax Traveller. Své dítě můžete přepravovat bezpečným a pohodlným způsobem s využitím vozíku Hamax Traveller jako přívesu za jízdní kolo nebo kočárku. Než začnete vozík Hamax Traveller montovat nebo používat, přečtěte si prosím pečlivě pokyny. Přejeme Vám a Vaším dětem mnoho báječných výletů!

Ušchovejte tyto pokyny na bezpečném místě pro pozdější použití.

## SPECIFIKACE

- Viz specifikace na obrázku [A]
- Složené rozměry (vč. krytů kol): 100 x 74 x 30 cm
- Hmotnost vozíku (plně sestavený vozík vč. ramena pro jízdní kolo): 13 kg
- \*\*Pro kontrolu zatížení tažné tyče změřte hmotnost na konci ramena pro jízdní kolo při zatížení vozíku pasažéry a nákladem. Hmotnost můžete změřit tak, že si stoupnete na váhu a zapamatujete si svou vlastní hmotnost. Postavte se na váhu s ramenem pro jízdní kolo v rukou. Držte rameno pro jízdní kolo ve správné výšce. Odečtěte svou vlastní hmotnost a výsledkem bude zatížení tažné tyče.

A



### Rychlost tažení

Doporučená rychlost: 16 km/h / 10 mph  
Max. rychlost: 24 km/h / 15 mph



### Zatížení tažné tyče\*\*

Min.: 0 kg / 0 lb  
Max.: 8 kg / 17,5 lb



### Fyzické požadavky

Min. věk: 6 měsíců. Max: 22 kg / 48,5 lb  
Max. výška dítěte: 117 cm / 3,83 ft



### Nosnost

Max. zatížení: 47 kg / 105 lb  
Max. hmotnost dítěte: 22 kg / 48,5 lb  
Max. hmotnost vč. vozíku: 60 kg / 132 lb



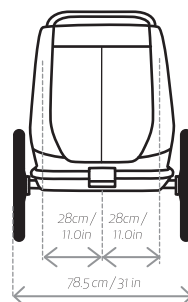
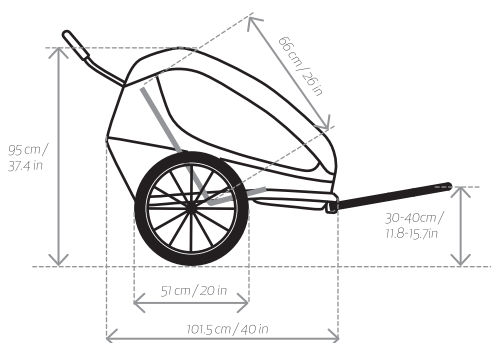
### Zavazadla

Max: 5 kg / 11 lb



### Místa k sezení

Pro 1 nebo 2 děti





# UPOZORNĚNÍ

- **DŮLEŽITÉ! - POKYNY SI POZORNĚ PŘEČTĚTE A USCHOVEJTE PRO POZDĚJŠÍ POUŽITÍ**
- Tento výrobek je v souladu s evropskými normami pro dětské cyklistické přívěsy a kočárky EN 15918:2011+A2:2017, EN 1888-2:2018.
- Nepoužívejte tuto sedačku pro děti mladší 6 měsíců
- Toto produkt se sedačkami není vhodný pro děti, které neumějí samy sedět nebo nemají dostatečně silný krk. V případě pochybností se poraďte s vaším pediatrem.
- Nepoužívejte s dětmi, jejichž hmotnost překračuje dané omezení.
- Nikdy nenechávejte dítě bez dozoru.
- Předcházejte vážnému zranění způsobenému pádem nebo vyklouznutím. Vždy používejte zádržný systém.
- Cestující by měli vždy nosit správně nasazenou a schválenou helmu.
- Tahání přívěsu ovlivní stabilitu jízdního kola a prodlouží brzdou dráhu.
- Tento přívěs je širší, než vaše jízdní kolo. Udržujte bezpečnou vzdálenost a pamatujte na větší poloměr otáčení.
- Před každou jízdou se přesvědčte, že připojený přívěs nekoliduje s brzděním, šlapáním nebo zatáčením u jízdního kola.
- Nedovolte, aby tělo, oblečení, tkaničky nebo hračky dítě přišly do kontaktu s pohyblivými částmi.
- Neinstalujte do přívěsu autosedačku nebo jakékoli jiné sedací zařízení, které není schváleno výrobcem.
- Neprovádějte na přívěsu žádné úpravy.
- Nikdy nejezděte na kole v noci bez náležitého osvětlení. Řiďte se všemi místními zákonnými požadavky na osvětlení.
- Na zadní straně přívěsu musí být viditelně umístěna odrazka, která splňuje předpisy CPSC.
- Před použitím zkontrolujte tlak pneumatik. Vždy hustěte pneumatiky na tlak uvedený na vnějších pneumatikách.
- Nepoužívejte čisticí rozpouštědla. Čistěte pouze jemným mýdlem a vodou.
- Nedodržení pokynů výrobce může vést k vážnému zranění nebo smrti cestujících / jezdce.
- Tento výrobek není hračka. Nedovolte dítěti, aby si s tímto výrobkem hrálo.
- Před použitím si ověřte, že jsou všechny zajišťovací prvky zaklesnuty.
- Při nakládání a vykládání vašeho dítěte mějte zajištěnou parkovací brzdu.
- Při skládání a rozkládání tohoto výrobku zajistěte, aby dítě nebylo v kočárku a ni p oblíž a n emohlo d ojit k poranění dítěte
- Tento výrobek není vhodný pro běhání nebo jízdu na bruslích
- Nepoužívejte žádné příslušenství, které nebylo schváleno výrobcem.
- Použití je možné pouze náhradní díly dodané nebo doporučené výrobcem/distributorem.
- Buďte si vědomi nebezpečí, jako je ochlazení větrem nebo vyčerpání z horka při dlouhodobém vystavení cestujících přívěsu chladnějším teplotám, nebo při delší době vystavení vyšším teplotám bez dostatečného větrání nebo hydratace.
- Nezamýšlené použití může vést k nebezpečným situacím. Společnost Hamax nenese odpovědnost za jakékoli škody způsobené nezamýšleným použitím. Jakékoli nezamýšlené použití je rizikem uživatele.
- Při použití cyklistického přívěsu zavřete přední kryt.
- Neupevňujte k tažné tyči žádné břemeno, protože to ovlivní stabilitu přívěsu.
- Zavazadla neukládejte do oblastí uvnitř nebo vně přívěsu zavazadla mimo zavazadlový prostor, protože to ovlivňuje stabilitu přívěsu.
- Při jízdě na kole nezapomeňte vyjmout otočné kolo

## Bezpečnost jízdního kola

Před připojením přívěsného vozíku k Vašemu jízdnímu kolu se ujistěte, zda je Vaše jízdní kolo vhodné k tažení přívěsného vozíku podle pokynů výrobce jízdního kola a zda je vybaveno dobře fungujícími brzdami. Doporučuje se, aby bezpečnost jízdního kola, k němuž bude přívěs připojen, byla zkontrolována kvalifikovaným cykloservisem před připojením přívěsu. Cyklistické vozíky tahané elektrickým jízdním kolem mohou být omezeny zákonem.

## Chování při jízdě

Při tažení přívěsu se vaše jízdní kolo chová těžkopádněji a méně citlivě v důsledku hmotnosti přívěsu. Před jízdou po přeplněných veřejných komunikacích se seznamte s tímto chováním s naloženým přívěsem nejprve zkušební jízdou v klidné oblasti.

Uvědomte si, že vzhledem k hmotnosti přívěsu má vaše jízdní kolo delší brzdnou dráhu. Při jízdě z kopce buďte opatrní, protože vaše jízdní kolo bude rychleji nabírat rychlost.

Nepřekračujte maximální rychlosti uvedené v tomto návodu a zpomalte při zatáčení a na nerovných silnicích. Vyhněte se jízdě přes kameny, obrubníky nebo jiné překážky, které mohou způsobit převrácení přívěsu. Použití přívěsu při nepříznivém počasí, stavu vozovky nebo dopravní situaci může vést k nebezpečným situacím. Vždy používejte zdravý úsudek při rozhodování, zda jsou podmínky bezpečné pro použití přívěsu.

## Vysoká viditelnost

Pro optimální viditelnost a bezpečnost v dopravě má víceúčelový vozík odrazky vpředu (bílá), vzadu (červená) a na kolech (oranžová). Také pneumatiky jsou opatřeny reflexními linkami. Vnější látka je protkána reflexními proužky. Při použití vozíku jako cyklistického přívěsu musíte také použít oranžový bezpečnostní praporek pro ještě lepší viditelnost [8].

Použijte dodané zadní světlo, viz [16].

## Účel použití

Přívěs je určen k přepravě dětí podle popisu v tomto návodu na veřejných komunikacích s mírným provozem, cyklostezkách a hladkých cestách. Společnost Hamax považuje použití přívěsu jakýmkoli jiným způsobem za nezamýšlené použití, včetně, ale bez omezení:

- jízda nadměrnou rychlostí
- jízda na nerovném povrchu
- použití přívěsu ke komerčním účelům
- přeprava zvířat
- skladování zavazadel v nebo na přívěsu mimo zavazadlový prostor přívěsu
- tahání přívěsu motorovými vozidly
- nedodržení pokynů uvedených v tomto návodu

## ZAČÍNÁME - MONTÁŽ

### [1] Obsah balení

- Tělo vozíku (1x) [1a]
- Rychloupínací kolo (2x) [1b]
- Rameno pro jízdní kolo (1x) [1c]
- Bezpečnostní praporek (1x) [1d]
- Kolo kočárku (1x) [1e]
- Návod k obsluze produktu Hamax Traveller (1x)

### [2] Přehled produktu

- Tlačná tyč [2a]
- Kapsa předního krytu [2b]
- Přední kryt [2c]
- Výplň a potah [2d]
- Připevnění kola kočárku [2e]
- Parkovací brzda [2f]
- Kryt kola [2g]
- Připoj ramena pro jízdní kolo [2h]
- Uvolňovací páčka tlačné tyče [2i]
- Zadní opěrka sedadla [2j]
- Úložný prostor [2k]

### [3] Připevnění závěsu na vaše jízdní kolo

- Vjměte rychloupínáč nebo matici [3a] z levé strany zadní osy vašeho jízdního kola. Umístěte závěs [3b] mezi rychloupínáč a rám. Umístěte zpět rychloupínáč nebo matici a utáhněte je podle pokynů výrobce jízdního kola.
- Nasměrujte závěs k zadní části. Mezi závěsem a ramenem jízdního kola zachovejte co možná nerovnější zarovnání / úhel.

### [4] Nastavení krytů kol

- Umístěte dva kryty kol [4a] do 2 otvorů na straně rámu. Utáhněte šroub [4b] na vnitřní spodní straně rámu. Použijte imbusový klíč dodaný s kryty kol.

### [5] Rozložení vozíku

- Uchopte zadní rám [5a] uvnitř zadního úložného prostoru [2k] a zatáhněte za něj směrem dozadu. Během toho můžete tlačít horní rám [5b] dopředu.
- Složení automaticky uzamkne [6a] zámek a uslyšíte zvuk cvaknutí.
- Zkuste zadní rám zatlačit zpět dolů a ověřte si, že je skládací mechanismus zamčen.
- Vložte tlačnou tyč [5c] do spoje tlačné tyče [12a], stiskněte tlačítka tlačné tyče [12b] a zatlačte tlačnou tyč dál dovnitř, dokud se nezajistí. Při jízdě na kole mějte tlačnou tyč v nejvyšší poloze [12c].

### [6] Složení vozíku

- Vyměňte tlačnou tyč při současném stisknutí tlačítek [12].
- Zatáhněte za oba zámky složení [6a] a tlačte rám dopředu, dokud se nesloží.
- Jemně zatlačte horní rám dolů do složené polohy a složte látku do vozíku.

### [7] Upevnění rychloupínacích kol

- Ověřte si, že parkovací brzda není aktivována [2f] a že je osa kola [7a] čistá.
- Podržte tlačítko [7b] a vložte osu kola do zdířky. Zatáhněte za kolo a přesvědčte se o bezpečnosti spojení.

### [8] Upevnění bezpečnostního praporku

- Zasuňte tyč praporku [8a] do nátrubku [8b] v kloubu tlačné tyče. V případě potřeby otevřete zavazadlový prostor a vyhledejte otvor pro tyč praporku. Umístěte tyč praporku na tu stranu přívěsu, která je nejlépe vidět z vozovky.

## POUŽITÍ

### [9] Použití kola kočárku

- Postup připevnění: Zasuňte kolík kola kočárku [1e] do předního spoje pro kočárek [9a]. Zatáhněte za kolo kočárku a přesvědčte se o bezpečnosti spojení.
- Postup demontáže: Stisknutím tlačítka [9b] odemkněte a vytáhněte kolo kočárku [1e] z předního spoje [9a].
- Při jízdě s kočárkem můžete uložit rameno pro jízdní kolo [1c] dozadu do připoje ramena pro jízdní kolo [10a] [19]. V této poloze nepoužívejte tlačítko ramena pro jízdní kolo [10b].

### [10] Připevnění ramena pro jízdní kolo k vozíku

- Zasuňte rameno pro jízdní kolo [1c] do připoje ramena pro jízdní kolo [10a].
- Stiskněte tlačítko ramena pro jízdní kolo [10b] a zatlačte ramena dál dovnitř, aby zaklapla.
- Zasuňte pojistný kolík [10c], abyste zajistili bezpečné spojení. Otočte pojistný kolík [10c] směrem dozadu a zaklapněte jej. Zatáhněte za rameno pro jízdní kolo a přesvědčte se o správném připojení.

### [11] Připevnění cyklistického ramena k jízdnímu kolu

- Před použitím bezpečně upevněte tažnou tyč a bezpečnostní pásek. Před upevněním a odpojením k/od vašemu/vašeho jízdního kola se přesvědčte, že je vozík prázdný.
- Nasuňte cyklistické rameno na závěs [11a]. Prostrčte pojistný kolík [11b] otvorem v ramenu pro jízdní kolo a zavřete jej. Zatažením za rameno jízdního kola se přesvědčte, že rameno jízdního kola je pevně uchyceno. Obtočte bezpečnostní pásek kolem rámu kola a upevněte háček k trojúhelníkové destičce [11c].
- Bezpečnostní pásek obtočte kolem střední trubky [11d] nebo zadní vidlice [11e] rámu vašeho jízdního kola.

**TIP:** Pokud rameno pro jízdní kolo nepoužíváte, můžete jej uložit do vozíku

**TIP:** Pokud je bezpečnostní pásek příliš dlouhý, můžete jej omat dvakrát okolo rámu a zajistit tak, že nebude kolidovat s žádnou pohyblivou částí zadního kola.

### [12] Seřízení tlačné tyče [2a]

- Vyměňte tlačnou tyč [2a] tak, že stisknete pojistné kolíky tlačné tyče [12b] na obou stranách a vytáhněte tlačnou tyč ven.
- Upravte polohu tlačné tyče o 180 stupňů do požadované nízké [12d] nebo vysoké polohy [12c].
- Vložte tlačnou tyč [5c] do spoje tlačné tyče [12a], stiskněte tlačítka tlačné tyče [12b] a zatlačte tlačnou tyč dál dovnitř, dokud se nezajistí. Při jízdě na kole mějte tlačnou tyč v nejvyšší poloze [12c].

### [13] Použití parkovací brzdy

- Zabrzdění: Tlačte páku parkovací brzdy [13a] směrem dolů, dokud tlačítko [13b] nevyskočí a páka nebude zajištěna. Možná budete muset pohybovat vozíkem jemně dozadu a dopředu, aby kolík brzdy u kola zapadlo do svého otvoru. Vždy se zatlačte na vozík a přesvědčte, že je aktivována brzda.
- Odbrzdění: Stiskněte uvolňovací tlačítko [13b] špičkou nohy a páka [13a] se otočí směrem nahoru.

### [14] Přední kryty a clona

- Traveller má 3 přední kryty: plastový kryt [14a], síťový kryt [14b] a přídatná sluneční clona [14d]. Plastový a síťový kryt se upevňují dole pomocí háčků přímo nad rámem [14c].
- K upevnění sluneční clony použijte suchý zip [14e]: 4 pro krátkou nebo 6 pro plnou délku. Chcete-li zkrátit sluneční clonu [14d], složte ji a upevněte spodní části suchých zipů k horním částem suchých zipů [14f].
- Pokud není přední plastový kryt používán, může být uložen do kapsy pod střechou vozíku. Síťový kryt [14b] a sluneční clona [14d] mohou být uloženy pod plastový kryt [14g]. Zavřete kapsu pomocí knoflíků, abyste zabránili vypadnutí krytů za jízdy.

### [15] 5bodový bezpečnostní pás

- Usadte dítě a protáhněte jeho ruce otvorem mezi ramenním [15a] a bederním pásem [15b]. Přesvědčte se, že ramenní pásy jsou zarovnané s rameny vašeho dítěte. Upravte výšku posunem spon [15e] nad opěrkou hlavy nahoru nebo dolů.
- Spojte dvě přezky ramenních pásů zasouvejte je do středové přezky [15c] na břišním popruhu [15d], dokud neucítíte cvaknutí. Zkratke délku břišního popruhu a ramenních pásů tak, aby bylo vaše dítě pevně připoutáno. Zataháním za oba ramenní pásy se

přesvědčte, že je bezpečnostní prvek zajištěn.

### [16] Montáž světel

- Umístěte světla na tu stranu vozíku, která je nejlépe viditelná z vozovky.
- Zadní strana: Upevnění červeného světla na tlačnou tyč [16]

## PÉČE A ÚDRŽBA

### Kontroly před použitím přívěsu

- Kola jsou řádně upevněna k přívěsu.
- Pneumatiky jsou nahuštěny na předepsaný hustící tlak
- Přívěs je správně rozložen a mechanismus je uzamčen na obou stranách. Nezapomeňte uzamknout tlačnou tyč.
- Zadní opěrka sedačky je dobře zajištěna a utažena. Viz kapitolu o údržbě.
- Bezpečnostní praporek a světla jsou na příslušných místech.
- Všechny důležité součásti, jako je: tažná tyč, spojovací zařízení, rám, bezpečnostní pásy, osvětlovací vybavení, pneumatiky a kola atd. pro bezpečnostní účely; pravidelná kontrola správného dotažení šroubovaných celků.

### Skladování

- Je velmi doporučeno skladovat vozík Traveller v krytém prostoru, na suchém a dobře větraném místě mimo přímé sluneční záření.

**TIP:** Pro lepší ochranu se dodává Hamax kryt pro uskladnění.

### Údržba

- [17] Parkovací brzda [2f]: Pokud se brzda nezajistí na obou kolech nebo se zcela neodpojí (kolo pak vydává tikající zvuk), je třeba seřídít kabely parkovací brzdy pomocí seřizovačů matic [18a] na straně každého kola pod vozíkem.
- Ve vozíku Traveller pro jízdní kolo je prostor pro odnímatelný kryt, který je upevněn v kapse nad čelním otvorem. Je upevněn suchým zipem uvnitř kapsy pod horní látkou a knoflíky na straně vozíku.
- Připoj kola kočárku [2e]: Pokud jsou uvnitř připoje kola kočárku nečistoty [2e], vypláchněte je vodou.
- Zadní opěrka sedačky [2j]: Abyste zajistili pohodlné a bezpečné sezení, pravidelně utahujte popruhy [19] na zadní straně opěradla. Utáhněte je nejprve nahoře a potom je utáhněte dole.
- Nepoužívejte čisticí rozpouštědla. Čistěte pouze jemným mýdlem a vodou.
- Výplň a potah sedačky [2d] jsou vyjímatelné a čistitelné. Vyperte sedák v ruce nebo v pračce na nízkou teplotu a s krátkým odstředěním.
- Před uskladněním nechte vozík zcela vyschnout; zabráníte tím vzniku plísní.
- Pokud s vozíkem došlo k nehodě nebo byl poškozen, kontaktujte svého prodejce, aby jej zkontroloval, zda jej lze nadále používat.
- Všechny důležité komponenty jako: oj, spojovací zařízení, rám, bezpečnostní pásy, osvětlovací zařízení, pneumatiky a kola atd. Pro bezpečný stav; pravidelné ověřování, zda jsou šroubové sestavy dobře dotaženy.

## ZÁRUKA

Na víceúčelový dětský vozík Hamax Traveller se vztahuje záruka ode dne zakoupení. Záruční doba závisí na zákonech příslušné země prodejce. Záruka se vztahuje na vady materiálu nebo provedení, a nevztahuje se na poškození způsobená nesprávným použitím, nedostatečnou údržbou, nedodržením návodu k obsluze, použitím síly nebo běžným opotřebením. Záruka je platná pouze pro původního uživatele. Přečtěte si prosím pozorně doporučení pro použití a údržbu. Na podmínky, které mohou způsobit předčasné opotřebenění vozíku, se nemusí vztahovat záruka. Pokud by vozík vyžadoval servis nebo chcete-li uplatnit záruku, obraťte se na svého místního prodejce, u kterého jste vozík zakoupili.

## VŠEOBECNÉ POKYNY PRO BATERIE

- Nenabíjecí baterie se nesmí nabíjet.
- Před nabíjením vyjměte nabíjecí baterie z přístroje.
- Ve stejném přístroji se nesmí používat různé typy baterií a také staré baterie společně s novými.
- Musí se používat pouze stejné baterie nebo baterie rovnocenného typu.
- Ujistěte se prosím, že baterie jsou vloženy se správnou polaritou.
- Napájecí svorky se nesmí zkratovat.
- Vybité baterie vyjměte z přístroje.
- Vybité baterie se nesmí spalovat, neboť mohou vybuchnout nebo vytéci.

### Informace týkající se likvidace vybitých baterií



Obrázkový symbol na levé straně baterií, na balení nebo v příložené dokumentaci znamená, že baterie se nesmí likvidovat na konci životnosti společně s domovním odpadem. Případně připojená písmena pod symbolem nádoby na odpad znamenají, že baterie obsahují olovo (Pb), kadmium (Cd) nebo rtuť (Hg). Jako spotřebitel jste povinni předat všechny druhy baterií (a to jak nabíjecí, tak i nenabíjecí), včetně knoflíkových baterií do místních sběrných středisek nebo v maloobchodním centru. Toto předání je bezplatné. Náležitá likvidace umožňuje recyklování cenných zdrojů a zabraňuje možným negativním vlivům na osobu a životní prostředí.

### Informace týkající se likvidace starých elektrických a elektronických výrobků



Obrázkový symbol na výrobku, na balení nebo v příložené dokumentaci znamená, že výrobek se nesmí likvidovat po konci životnosti společně s domovním odpadem. Jako spotřebitel jste povinni předat elektrické a elektronické výrobky do místních sběrných středisek elektrických zařízení. Toto předání je bezplatné. Ujistěte se prosím, že jsou před likvidací výrobku vyjmuty baterie. Náležitá likvidace umožňuje recyklování cenných zdrojů a zabraňuje možným negativním vlivům na osobu a životní prostředí. Pro získání dalších informací se prosím spojte s Vaším místním úřadem nebo prodejcem výrobku.

# LT Dėkojame, kad įsigijote „Hamax Traveller“ daugiafunkcij vaiko vežimėlį

Daugiafunkcė vaiko priekaba dviračiui su vežimėlio ratuku.

Sveikiname įsigijus „Hamax Traveller“ daugiafunkcij vaiko vežimėlį. Savo vaiką galite saugiai ir patogiai pervežti „Hamax Traveller“ naudodami kaip dviračio priekabą ar stumiamą vežimėlį. Prieš montuodami ar naudodami „Hamax Traveller“ atidžiai perskaitykite instrukcijas. Linkime jums ir jūsų vaikams daug įsimintinų kelionių!

Instrukcijas išsaugokite vėlesniam naudojimui.

## SPECIFIKACIJOS

- Žr. paveikslė [A] pateiktas specifikacijos
- Sulankstyto gaminio matmenys (įskaitant ratų apsaugas): 100 x 74 x 30cm
- Priekabos svoris (pilnai surinkta priekaba įskaitant dviračio svirtį): 13kg
- \*\*\*Norėdami patikrinti vilkties apkrovą, išmatuokite svorį dviračio svirties gale, kai priekaba yra su keleiviais ir kroviniu. Galite matuoti atsistodami ant svarstyklių (įsidėmėkite savo svorį). Atsistokite ant svarstyklių rankoje laikydami dviračio svirtį. Dviračio svirtį laikykite tinkamame aukštyje. Iš svarstyklių rodomo svorio atimkite savo svorį – tai bus vilkties apkrova.

A



### Tempimo greitis

Rekomenduojamas greitis: 16 km/val. / 10 myl./val.  
Didžiausias greitis: 24 km/val. / 15 myl./val.



### Vilkties apkrova\*\*

Mažiausia: 0 kg / 0 sv.  
Didžiausia: 8 kg / 17,5 sv.



### Fiziniai reikalavimai

Mažiausias amžius: 6 mėnesiai  
Maksimaliai: 22 kg / 48,5 sv.  
Didžiausias vaiko ūgis: 117 cm / 3,83 pėd.



### Leistinas svoris

Didžiausia apkrova: 47kg / 105 sv.  
Didžiausias vaiko svoris: 22 kg / 48,5 sv.  
Didžiausias svoris su priekaba: 60 kg / 132 sv.



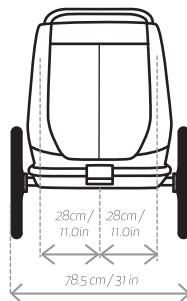
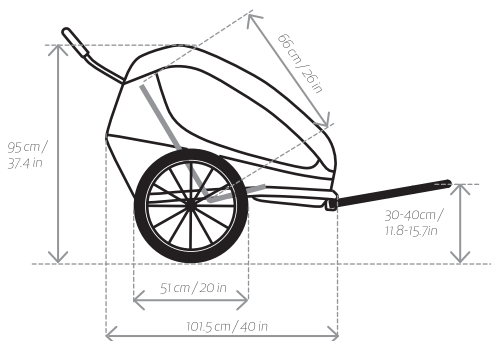
### Bagažas

Max: 5 kg / 11 sv.



### Sėdimos vietos

1 arba 2 vaikas



# ĮSPĖJIMAI

- **Svarbu** – Išsaugokite šias instrukcijas ateičiai.
- Šis gaminys atitinka vaikams skirtų dviračio priekabų ir vežimėlių Europos standartus: EN 15918:2011+A2:2017, EN 1888-2:2018.
- Ši sėdynė netinka vaikams iki 6 mėnesių.
- Ši sėdynė netinka vaikams, negalintiems sėdėti be pagalbos arba kurių kaklo raumenys nėra pakankamai stiprūs. Jei turite klausimų, pasikonsultuokite su pediatru.
- Neleiskite naudotis vaikams, kurių svoris didesnis nei nurodyta reikalavimuose.
- Niekuomet nepalikite vaiky be priežiūros.
- Saugokitės sužeidimų nukrentant ar išslystant. Visada naudokite prisegimo sistemą.
- Sėdynėje sėdintys vaikai visuomet turi dėvėti tinkamą ir patvirtintą šalną.
- Prikabinta priekaba paveikia dviračio stabilumą ir padidina stabdymo kelią.
- Ši priekaba yra platesnė nei jūsų dviratis. Atminkite, kad jai pravažiuoti reikės daugiau erdvės ir padidės posūkio spindulys.
- Prieš kiekvieną važiavimą patikrinkite, ar prikabinta priekaba netrukdo stabdyti, minti pedaly, vairuoti dviračio.
- Neleiskite, kad vaikų kūno dalys, drabužiai, batų raišteliai ar žaislai liestųsi su judančiomis dalimis.
- Priekabos viduje nemontuokite automobilinės kėdutės ar kitokių gamintojo nepatvirtintų sėdynių.
- Nemodifikuokite priekabos.
- Niekuomet nevažiuokite dviračiu naktį be tinkamų žibintų. Laikykitės visų vietinių žibintams taikomų reikalavimų.
- Priekabos gale yra Vartotojų produktų saugos komisijos (angl. CPSC) reikalavimus atitinkantis atšvaitas.
- Prieš važiuodami patikrinkite oro slėgį padangose. Padangas visuomet pripūskite iki ribos, nurodytos ant padangos išorės.
- Valymui nenaudokite tirpiklių. Valykite tik švelniu muilo tirpalu.
- Nesilaikant gamintojo instrukcijų galima rimtai arba mirtinai sužeisti keleivius ir save patį.
- Neleiskite savo vaikui žaisti su šiuo gaminiu.
- Prieš pradėdami naudoti įsitikinkite, ar visi fiksavimo įtaisai yra sujungti.
- Įkeldami ar iškeldami vaikus visuomet patikrinkite, ar įjungtas stovėjimo stabdys.
- Kad išvengtumėte sužalojimų, prieš suskleisdami ir išskleisdami gaminį visada įsitikinkite, kad ikas yra atokiau.
- Šis gaminys nėra tinkamas bėgimui, čiuožimui.
- Galima naudoti tik gamintojo / platintojo tiekiamas ar rekomenduojamas atsargines dalis.
- Atkreipkite dėmesį į aplinkos poveikį, pvz., šaltą vėją ar šilumą. Mažiau judrius keleivius gali paveikti ilgas buvimas šaltame ore arba ilgas buvimas šiltoje aplinkoje be tinkamos ventilacijos ar skysčių.
- Netyčinio naudojimo metu gali kilti pavojingos situacijos. „HamaX“ nėra atsakinga už bet kokią netyčinio naudojimo metu kilusių žalą. Už bet kokią netyčinį naudojimą atsako naudotojas.
- Naudodami kaip dviračio priekabą nuleiskite priekinį uždangalą.
- Prie stūmimo rankenos neprikabinkite jokio svorio, kadangi tai paveiks priekabos stabilumą.
- Daiktus laikykite tik tam skirtame priekabos skyriuje. Laikant juos kitose vietose galima paveikti priekabos stabilumą.
- Nepamirškite, kad važiuodami dviračiu išimkite pasukamąjį ratuką

## Dviračio sauga

Prieš prijungdami dviračio priekabą prie dviračio įsitikinkite, kad dviratis būtų tinkamas vilkti priekabą pagal dviračio gamintojo instrukcijas ir kad jame būtų gerai veikiantys stabdžiai. Rekomenduojama prieš prikabinant priekabą dviratį patikrinti pas kvalifikuotą mechaniką. Su EPAC veikiančių dviračių priekabų naudojimas gali būti draudžiamas pagal įstatymus.

## Važiavimo ypatumai

Tempiant priekabą jūsų dviratis dėl papildomo priekabos svorio bus sunkesnis ir bus sunkiau jį valdyti. Prieš išvažiuojant į kelius, kuriuose didesnis eismas, rekomenduojama prieš tai priprasti prie dviračio valdymo ramiose vietose.

Atminkite, kad dėl priekabos svorio jūsų dviračio stabdymo kelias bus ilgesnis. Leisdami siuokalne būkite atsargūs, kadangi jūsų greitis sparčiai didės.

Neviršykite didžiausio šiame vadove nurodyto greičio, sukdamiesi ar važiuodami nelygiu keliu pristabdykite. Venkite važiuoti ant akmenų, bortelių ar kitų kliūčių, dėl kurių priekaba gali apvirsti. Jei priekabą naudosite esant prastoms oro sąlygoms, prastai kelio būklei ar dideliame eismui, galite susidurti su nesaugiomis situacijomis. Spręsdami, ar sąlygos tinka priekabos naudojimui, vadovaukitės sveiku protu.

## Gerai matomumas

Siekiant užtikrinti optimalų matomumą ir saugumą kelyje, daugiavončiame vežimėlyje sumontuoti atšvaitai priekyje (baltas), gale (raudonas) ir ant ratų (oranžinis). Ant padangų yra šviesų atspindinčios linijos. Išoriniame audinio sluoksnyje yra šviesų atspindinčios siūlės. Naudojami vežimėlių kaip dviračio priekabą geresniam matomumui užtikrinti turėsite pritvirtinti oranžinę vėliavėlę [8]. Naudokite galinę apšvietimą, žiūrėkite [16].

## Paskirtis

Priekaba skirta vaikams vežti viešaisiais keliais su šviesoforais, šaligatviais ir lygiu paviršiumi turinčiais takais kaip nurodyta šiame vadove. Kitokį priekabos naudojimą „Hamax“ laiko neatitinkančiu paskirties. Tokiu naudojimu laikomas (įskaitant, tačiau neapsiribojant):

- važiavimas viršijant greitį;
- važiavimas nelygiais keliais ar bekele;
- priekabos naudojimas komerciniams tikslais;
- gyvūnų transportavimas;
- daiktų laikymas ne tam skirtose priekabos vietose;
- priekabos tempimas variklį turinčiomis transporto priemonėmis;
- šiame vadove pateiktųjų nurodymų nesilaikymas.

## PRADŽIA - MONTAVIMAS

### [1] Pakuotės turinys

- Priekabos rėmas (1x) [1a]
- Greitai nuimamas ratas (2x) [1b]
- Dviračio svirtis (1x) [1c]
- Apsauginė vėliavėlė (1x) [1d]
- Vežimėlio ratukas (1x) [1e]
- „Hamax Traveller“ naudotojo vadovas (1x)

- Stūmimo rankena [2a]
- Priekinio uždangalo kišenė [2b]
- Priekinis uždangalas [2c]
- Sėdynių apmušalai [2d]
- Priedas, vežimėlio ratukas [2e]
- Stovėjimo stabdys [2f]
- Ratų apsauga [2g]
- Dviračio svirties tvirtinimas [2h]
- Stūmimo rankenos atlaisvinimo rankena [2i]
- Galinė sėdynės atrama [2j]
- Kišenė daiktams [2k]

### [2] Gaminio apžvalga

### [3] Vilkties montavimas ant dviračio

- Atlaisvinkite greitąją jungtį arba veržlę [3a] nuo kairiosios galinės ašies pusės. Įstatykite vilktį [3b] tarp greitosios jungties arba veržlės ir rėmo. Uždėkite ir priveržkite greitąją jungtį arba veržlę pagal dviračio gamintojo instrukcijas.
- Atsukite vilktį atgal. Vilkties ir dviračio svirties sulgyjimas / kampas turi būti kaip įmanoma tiesesnis.

### [4] Uždėkite ratų apsaugas

- Abu ratų apsaugas įstatykite [4a] į 2 angas rėmo šone. Pritvirtinkite varžtą [4b] iš apatinės vidinės rėmo pusės. Naudokite prie ratų apsaugų pridedamą šešibriaunį raktą.

### [5] Priekabos atlenkimas

- Paimkite galinį rėmą [5a] galinės saugyklos [2k] viduje ir patraukite jį atgal. Tai darydami galite pastumti viršutinį rėmą [5b] į priekį.
- Sulankstymo užraktai [6a] užsifiksuoja automatiškai ir pasigirsta spragtelėjimas.
- Stumtelėdami atgal patikrinkite, ar išlankstymo mechanizmas užfiksotas.
- Įstatykite stūmimo rankeną [5c] į stūmimo rankenos jungtį [12a], paspauskite stūmimo rankenos mygtukus [12b] ir dar labiau



pastumkite stūmimo rankeną, kol ji užsifiksuos. Važiudami dviračiu stūmimo rankeną nustatykite į aukščiausią padėtį [12c].

#### [6] Priekabos slankstymas

- Nuimkite stūmimo rankeną spausdami mygtukus [12].
- Patraukite abu užfiksavimo užraktus [6a] ir stumkite rėmą į priekį, kol jis susilenks.
- Švelniai patraukite viršutinį rėmą žemyn į sulenktą padėtį ir slankstykite medžiagą į priekabą.

#### [7] Greitai nuimamų ratukų montavimas

- Įsitikinkite, ar neįjungtas stovėjimo stabdys [2f] ir neblokuoja ratuko ašis [7a].
- Nuspaudę laikykite mygtuką [7b] ir į lizdą įstatykite ašį. Patraukite ratuką ir įsitikinkite, kad jis tinkamai užsifiksavo.

#### [8] Vėliavėlės montavimas

Įstatykite vėliavėlės kotą [8a] į lizdą [8b] ant stūmimo rankenos jungties. Jei reikia, angą vėliavos kotui rasite atidarę bagažinę. Įstatykite vėliavos kotą į lizdą tame dviračio priekabos šone, kuris yra arčiau kelio.

## NAUDOJIMAS

#### [9] Vežimėlio ratuko naudojimas

- Norėdami pritvirtinti: Vežimėlio ratuko [1e] kaištį įstatykite į vežimėlio priekinę jungtį [9a]. Patraukite vežimėlio ratuką ir įsitikinkite, kad jis tinkamai užsifiksavo.
- Norėdami nuimti: Nuspausdami mygtuką [9b] atblokuokite ir ištraukite vežimėlio ratuką [1e] iš priekinės jungties [9a].
- Vaikščiodami dviračio svirtį [1c] visada galite laikyti įstatę atvirkščiai į dviračio svirties priedą [10a] [19]. Šioje padėtyje nenaudokite dviračio svirties mygtuko [10b].

#### [10] Dviračio svirties pritvirtinimas prie priekabos

- Įstumkite dviračio svirtį [1c] į dviračio svirties priedą [10a].
- Paspauskite dviračio svirties mygtuką [10b] ir pastumkite svirtį toliau, kol pasigirs spragtelėjimas.
- Įstatykite fiksavimo kaištį [10c], kad jungtis būtų saugi. Fiksavimo kaištį [10c] pasukite į galinę pusę ir užlenkite. Patraukite dviračio svirtį ir įsitikinkite, kad ji tinkamai užsifiksavo.

#### [11] Dviračio svirties prijungimas prie dviračio

- Prieš naudojimą saugiai pritvirtinkite vilktį ir diržą. Prikabindami ir atkabindami priekabą prie dviračio patikrinkite, ar priekaba iškrauta.
- Uždėkite dviračio svirtį ant jungties [11a]. Įstatykite kaištį [11b] per dviračio svirties angą ir uždarykite. Patraukdami dviračio svirtį patikrinkite ar ji užsifiksavo. Apvyniokite apsauginį diržą apie dviračio rėmą ir užkabinkite kablį už trikampės plokštelės [11c].
- Apsauginį diržą apvyniokite aplink dviračio rėmo grandinės atramą [11d] arba sėdynės atramą [11e].

**PATARIMAS:** Kai dviračio svirties nenaudojate, galite ją laikyti priekaboje

**PATARIMAS:** Jei apsauginis diržas per ilgas, apvyniokite jį aplink rėmą dukart, kad jis netrukdytų galinio rato judančioms dalims.

#### [12] Stūmimo rankenos reguliavimas [2a]

- Išimkite stūmimo rankeną [2a] paspaudę stūmimo rankenos fiksavimo kaiščius [12b] abejose pusėse ir ištraukite stūmimo rankeną.
- Reguluokite stūmimo rankeną 180 laipsnių iki pageidaujamos žemos [12d] arba aukštos padėties [12c].
- Įstatykite stūmimo rankeną [5c] į stūmimo rankenos jungtį [12a], paspauskite stūmimo rankenos mygtukus [12b] ir dar labiau pastumkite stūmimo rankeną, kol ji užsifiksuos. Važiudami dviračiu stūmimo rankeną nustatykite į aukščiausią padėtį [12c].

#### [13] Stovėjimo stabdžio naudojimas

- Norėdami įjungti: Pastumkite stovėjimo stabdžio svirtį [13a] žemyn, kol mygtukas [13b] iššoks ir svirtis užsifiksuos. Gali reikėti šiek tiek pajudinti priekabą pirmyn ir atgal, kad stabdžio kaištis prie ratuko rastų sau tinkamą angą. Visada pastumdami priekabą patikrinkite, ar stabdys yra įjungtas.
- Norėdami išjungti: Paspauskite atleidimo mygtuką [13b] pėdos galiuku ir svirtis [13a] pasisuks į viršų.

#### [14] Priekiniai dangalai ir užuolaidėlė

- „Traveller“ turi 3 priekinius uždangalus: plastikinis uždangalas [15c], tinklinis uždangalas [14b] ir papildoma užuolaidėlė nuo saulės [14d]. Plastikinį ir tinklinį uždangalą prie apačios galima pritvirtinti prisegant užkabinant kabliukus iš karto virš rėmo [14c].
- Norėdami pritvirtinti užuolaidėlę nuo saulės „Velcro“ juostele [14e]: naudokite 4 (mažam dydžiui) arba 6 (visam dydžiui). Jei užuolaidėlę [14d] norite sumažinti, užlenkite ir pritvirtinkite apatinės juostelės dalis prie viršutinių juostelės dalių [14f].
- Kai plastikinio priekinio uždangalo nenaudojate, jį galima laikyti kišenėje po rėmo viršutine dalimi. Tinklinį uždangalą [14b] ir užuolaidėlę [14d] galima laikyti po plastikinio uždangalu [14g]. Užsekite kišenę sagomis, kad uždangalai neiškristų.

#### [15] 5 taškų apsauginis diržas

- Pasodinkite savo vaiką ir prakiškite jo rankas per angas tarp pečių [15a] ir juosmens diržų [15b]. Patikrinkite, ar pečių diržai sulygiuoti su vaiko pečiais. Sureguliuokite aukštį paslinkdami sagtis [15e] virš galvos atramos aukštyn arba žemyn.

- Įstatykite abi pečių diržų sagtis į vidurinę sagtį [15c] ant apatinio diržo [15d], kol pasigirs spragtelėjimas. Sumažinkite tarpkojo ir pečių diržų ilgį, kad vaikas būtų saugiai prisegtas. Patikrinkite, ar apsauginis diržas užfiksuotas, šiek tiek timpltelėdami abu pečių diržus.

#### [16] Žibintų montavimas

- Žibintus sumontuokite toje priekabos pusėje, kuri yra arčiausiai kelio vidurio.
- Gale: Raudoną žibintą pritvirtinkite prie stūmimo rankenos [16]

## PRIEŽIŪRA IR APTARNAVIMAS

#### Prieš naudodami priekabą patikrinkite

- Ar ratukai tinkamai pritvirtinti prie priekabos.
- Ar padangos pripūstos iki nurodyto padangų slėgio
- Priekaba yra tinkamai išlankstyta, mechanizmas abiejose pusėse užfiksuotas. Nepamirškite užfiksuoti stūmimo rankenos.
- Ar sėdynės atlošas yra gerai apsaugotas ir priveržtas. Žr. techninės priežiūros dalį.
- Ar vėliavėlė ir žibintai yra tinkamoje vietoje, kaip to reikalaujama.
- Visus svarbius komponentus, kaip antai: stūmimo rankena, prijungimo įrenginys, rėmas, saugos diržai, apšvietimo įranga, padangos bei ratai ir kt., kad jų būklė būtų saugi; reguliariai tikrinkite, ar varžtinės jungtys yra gerai priveržtos.

#### Laikymas

Rekomenduojama „Traveller“ priekabą laikyti viduje, sausoje ir gerai vėdinamoje aplinkoje, toliau nuo tiesioginių saulės spindulių.

**PATARIMAS:** Norėdami užtikrinti geresnę apsaugą galite įsigyti „Hamax“ apsauginį uždangalą.

#### Priežiūra

- [17] Stovėjimo stabdys [2f]. Jei stabdys neįsijungia abiem ratams arba iki galo neišsijungia (tokiu atveju iš rato sklinda tiksejimas), turite sureguliuoti stovėjimo stabdžio laidus pasinaudodami veržliniais reguliatoriais [18a], esančiais prie kiekvieno rato po priekaba.
- „Traveller“ dviračio priekaba turi keičiamą uždangalo dalį, pritvirtintą prie kišenės virš viršutinės angos. Ji pritvirtinama su „Velcro“ juostele iš vidinės pusės po viršutiniu audinio sluoksniu ir sagomis prisegama iš priekabos kraštų.
- Vežimėlio ratuko prijungimas [2e]. Jei jungties [2e] vietoje yra purvo, jį nuplaukite vandeniu.
- Sėdynės pagrindo atlošas [2j]. Kad sėdėti būtų saugu ir patogiu, reguliariai priveržkite diržus [19] sėdynės atlošo gale. Pradėkite veržti viršuje, tuomet pereikite link apačios.
- Valymui nenaudokite tirpiklių. Valykite tik švelniu muilo tirpalu.
- Sėdynių apmušalus [2d] galima nuimti valymui. Plaukite rankomis arba skalbimo mašina šaltame vandenyje su trumpu gręžimo ciklu.
- Prieš pastatydami priekabą ilgesniam laikymui, leiskite jai visiškai išdžiūti, kad ant jos nesiformuotų pelėsiai.
- Jei priekaba pateko į avariją arba buvo pažeista, kreipkitės į platintoją ir patikrinkite, ar ją dar galima naudoti.
- Visi svarbūs komponentai, tokie kaip: grąžūlas, prijungimo įtaisas, rėmas, saugos diržai, apšvietimo įranga, padangos ir ratai ir pan. reguliariai tikrinant, ar varžtų sąrankos yra gerai sugriežtintos.

## GARANTIJA

„Hamax Traveller“ daugiafunkciam vaiko vežimėliui garantija taikoma nuo įsigijimo datos. Garantijos laikotarpis priklauso nuo šalies įstatymų. Garantija taikoma medžiagų ir darbų kokybei, ji negalioja, jei vežimėlis naudojamas netinkamai, yra neprižiūrimas, nesilaikoma vadove pateiktų nurodymų, naudojama jėga. Garantija negalioja ir įprastam nusidėvėjimui. Garantija galioja tik pirminiam pirkėjui. Atidžiai perskaitykite naudojimo ir priežiūros rekomendacijas. Garantija netaikoma naudojant sąlygose, sukeliančiose pirmalaikį vežimėlio dėvėjimąsi. Jei vežimėlį reikia tvarkyti arba norite pateikti garantinę pretenziją, kreipkitės į vietinį platintoją, iš kurio įsigijote vežimėlį.

## BENDROSIOS BATERIJŲ NAUDOJIMO INSTRUKCIJOS

- Neįkraunamos baterijos neturi būti įkraunamos.
- Prieš įkraudami, įkraunamas baterijas išimkite iš gaminio.
- Tame pačiame gaminyje kartu negalima naudoti skirtingų tipų baterijų, taip pat senų kartu su naujomis.
- Turi būti naudojamos tik to paties arba lygiaverčio tipo baterijos.
- Įsitikinkite, kad įdėtų baterijų poliškumas būtų teisingas.
- Tiekimo gnybtai neturi būti užtrumpinti.
- Išimkite išsekusias baterijas iš gaminio.
- Neleidžiama deginti išsekusių baterijų, nes jos gali sprogti arba atsirasti nuotėkis.

### Informacija apie išsekusių baterijų utilizavimą



Paveikslėlyje esantis simbolis kairėje pusėje ant baterijų, pakuotės arba pridedamų dokumentų reiškia, kad baterijos neturėtų būti išmetamos kartu su buitinėmis atliekomis. Galimos po šiukšliadėžę nurodytos raidės reiškia, kad baterijoje yra švino (Pb), kadmio (Cd) arba gyvsidabrio (Hg). Jūs, kaip vartotojas, pagal teisės aktus privalote visų rūšių baterijas (tiek įkraunamas, tiek neįkraunamas), įskaitant mažus apvalius elementus, atiduoti į vietos surinkimo vietas arba mažmeninėse parduotuvėse. Ši paslauga teikiama nemokamai. Tinkamu atliekų šalinimu galima perdirbti vertingus išteklius ir išvengti galimo neigiamo poveikio žmonėms ir aplinkai.

### Informacija apie senų elektrinių ir elektroninių gaminių atidavimą į atliekas



Paveikslėlyje esantis simbolis ant gaminio, pakuotės arba pridedamų dokumentų reiškia, kad gaminys neturėtų būti išmetamas kartu su buitinėmis atliekomis. Jūs, kaip pagal teisės aktus privalote priduoti elektrinius ir elektroninius gaminius elektroninės įrangos surinkimo vietoje. Ši paslauga teikiama nemokamai. Prieš atiduodami gaminį į atliekas, išimkite baterijas. Tinkamu atliekų šalinimu galima perdirbti vertingus išteklius ir išvengti galimo neigiamo poveikio žmonėms ir aplinkai. Norėdami gauti daugiau informacijos, susisiekite su savo vietos valdžios institucijomis arba produkto pardavėju.

# SK Ďakujeme Vám, že ste si zvolili multifunkčný detský vozík Hamax Traveller

Multifunkčný bicyklový ťažný vozík pre deti vrátane kolesa kočička

Blahoželáme vám k zakúpeniu multifunkčného detského vozíka Hamax Traveller. Svoje dieťa môžete prepravovať bezpečným a pohodlným spôsobom, keď použijete Hamax Traveller ako bicyklový ťažný vozík a kočík. Pred montážou alebo používaním Hamax Traveller si pozorne prečítajte pokyny. Želáme Vám a Vaším deťom mnoho radostných výletov!

Uchovajte si tieto pokyny na bezpečnom mieste, aby ste ich mohli použiť aj neskôr.

## ŠPECIFIKÁCIE

- Pozrite si špecifikácie na obrázku [A]
- Rozmery v zloženom stave (vrátane chráničov kolies): 100 x 74 x 30cm
- Hmotnosť ťažného vozíka (plne vybavený ťažný vozík vrátane bicyklového ramena): 13kg
- <sup>\*\*</sup>Aby ste skontrolovali zaťaženie ťažnej tyče, vykonajte váženie na konci bicyklového ramena, keď sú vo vozíku pasažieri a náklad. Odváženie môžete vykonať postavením sa na váhu a odčítaním svojej vlastnej hmotnosti. Postavte sa na váhu s bicyklovým ramenom v rukách. Ubezpečte sa, že bicyklové rameno držíte v správnej výške. Odčítajte svoju hmotnosť a výsledkom je zaťaženie ťažnej tyče.

A



### Rýchlosť ťahania

Odporúčaná rýchlosť 16 km/hod. / 10mph  
Max. rýchlosť: 24 km/hod. / 15mph



### Zaťaženie ťažnej tyče<sup>\*\*</sup>

Min.: 0 kg / 0 lb  
Max.: 8 kg / 17,5 lb



### Fyzické požiadavky

Min. vek: 6 mesiacov. Max: 5 kg / 48,5 lb  
Max. výška dieťaťa: 117 cm / 3,83 ft



### Nosnosť

Max. zaťaženie: 47 kg / 105 lb  
Max. hmotnosť dieťaťa: 22 kg / 48,5 lb  
Max. hmotnosť vrátane ťažného vozíka:  
60 kg / 132 lb



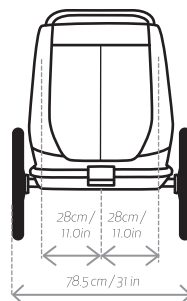
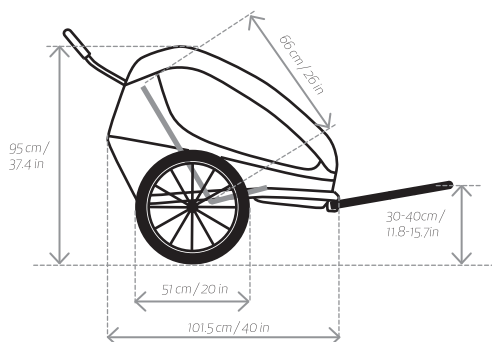
### Batožinu

Max: 5 kg / 11 lb



### Miesta na sedenie

Pre 1 alebo 2 deti



# VÝSTRAHY

- Dôležité – Pred použitím prečítajte pozorne tento návod a uschovajte ho pre budúcu potrebu.
- Tento výrobok vyhovuje európskym normám pre detské ťažné vozíky a kočíky: EN 15918:2011+A2:2017, EN 1888-2:2018.
- RIZIKO PÁDU spôsobeného prevrátením. Pred behom, rekreačným behom alebo rýchlou chôdzou musí byť namontované separátne koleso na behanie.
- Nepoužívajte túto sedačku pre deti mladšie ako 6 mesiacov.
- Toto sedadlo nie je vhodné pre deti, ktoré nedokážu sedieť bez pomoci alebo nemajú dostatočne silný krk. Ak máte pochybnosti, poraďte sa s detským lekárom.
- Nepoužívajte s deťmi prekračujúcimi vekové obmedzenia.
- Nikdy nenechávajte dieťa bez dozoru.
- Zabráňte vážnemu úrazu spôsobenému pádom alebo vyklúznutím. Používajte vždy upevňovací systém
- Pasažieri musia vždy mať správne nasadenú a schválenú prilbu.
- Ťahanie ťažného vozíka ovplyvní stabilitu bicykla a predlžuje brzdnú vzdialenosť.
- Tento ťažný vozík je širší ako Váš bicykel. Počítajte s väčšou medzerou a uvedomte si väčší polomer zatáčania.
- Pred každou jazdou sa ubezpečte, že ťažný vozík nezasahuje do brzdenia, šliapania do pedálov alebo riadenia bicykla.
- Nedovoľte, aby sa nejaká časť tela dieťaťa, oblečenie alebo šnúrky do topánok dostali do kontaktu s pohybujúcimi sa dielmi.
- Do ťažného vozíka neinštalujte automobilovú sedačku alebo nejakú inú sedačku, ktorá nie je schválená výrobcom.
- Na ťažnom vozíku nevykonávajúte žiadne úpravy.
- Nikdy nejazdite na bicykli v noci bez adekvátneho osvetlenia. Dodržiavajte lokálne požiadavky na osvetlenie.
- Na zadnej časti ťažného vozíka musí byť odrazové sklo, ktoré vyhovuje nariadeniam CPS (Child Passenger Safety - bezpečnosť detských pasažierov).
- Pred používaním skontrolujte tlak v pneumatikách. Pneumatiky vždy hustite na úroveň nahustenia špecifikovanú na vonkajšej strane pneumatík.
- Nepoužívajte čistiace rozpúšťadlá. Čistite len mydlom a vodou.
- Nedodržanie pokynov výrobcu môže viesť k vážnemu úrazu alebo smrti pasažiera/jazdca.
- Tento výrobok nie je hračka. Nenechajte dieťa hrať sa s týmto výrobkom..
- Pred používaním sa uistite, že všetky zaisťovacie zariadenia sú zaistené.
- Pri nakladaní alebo vykladaní detí zabezpečte aktivovanie parkovacej brzdy.
- Pri rozopínaní a zapínaní sa uistite, že dieťa nie je v kočiariku, aby ste predišli prípadnému úrazu.
- Tento výrobok nie je vhodný na behanie, korčuľovanie.
- Nepoužívajte žiadne príslušenstvo, ktoré nie je schválené výrobcom.
- Môžu sa používať len náhradné diely schválené alebo odporúčané výrobcom/distribútorom.
- Uvedomujte si riziká vystavenia ako ochladzovanie vetrom alebo vyčerpanie teplom, či už sú menej aktívni pasažieri vystavení dlhšiemu pôsobeniu nižších teplôt alebo dlhšej dobe pri vyšších teplotách bez adekvátneho vetrania alebo hydratácie.
- Použitie na iné účely môže viesť k nebezpečným situáciám. Spoločnosť Hamax nie je zodpovedná za žiadne škody spôsobené použitím na iné účely. Akékoľvek použitie na iné účely je rizikom používateľa.
- Keď používate bicyklový ťažný vozík, zatvorte predný kryt.
- Nepripevňujte na tlačnú tyč žiadne bremeno, pretože to ovplyvní stabilitu ťažného vozíka.

- Nedávajte batožinu do priestorov vnútri alebo mimo ťažného vozíka iných ako je priestor pre batožinu, pretože to ovplyvní stabilitu ťažného vozíka.
- Pri jazde na bicykli nezabudnite vybrať otočné koleso

### Bezpečnosť bicyklu

Pred pripojením privesu k bicyklu sa uistite, že je bicykel vhodný na ťahanie privesu podľa pokynov výrobcu bicykla a či je vybavený dobre fungujúcimi brzdami. Pred pripojením ťažného vozíka na bicykel sa odporúča, aby bola bezpečnosť bicykla skontrolovaná kvalifikovaným bicyklovým mechanikom. Ťahanie ťažných vozíkov bicyklom s prídavným elektrickým pohonom môže byť zakázané zákonom.

### Správanie pri jazde

Keď ťaháte ťažný vozík, bicykel je ťažší a kvôli hmotnosti ťažného vozíka ťažšie reaguje. Pred vstupom na preplnenú verejnú komunikáciu sa oboznámte s jeho správaním experimentovaním v menej frekvencovanej oblasti.

Uvedomte si, že kvôli hmotnosti vozíka má bicykel dlhšiu brzdnú vzdialenosť. Buďte opatrní pri jazde z kopca, pretože bicykel rýchlejšie získa vyššiu rýchlosť.

Neprekračujte maximálnu rýchlosť špecifikovanú v tejto príručke a spomalte pri zatáčaní na hrboľatých komunikáciách.

Vyhnete sa jazde cez skaly, obrubníky alebo iné prekážky, ktoré môžu spôsobiť prevrátenie ťažného vozíka. Použitie ťažného vozíka v nepriaznivom počasí, na zlej vozovke alebo pri nepriaznivých dopravných podmienkach môže mať za následok vznik nebezpečných situácií. Vždy si dobre rozmyslite, či sú vhodné podmienky na bezpečné použitie ťažného vozíka.

### Vysoká viditeľnosť

Pre optimálnu viditeľnosť a bezpečnosť v cestnej premávke má multifunkčný vozík predné (biele), zadné (červené) a kolesové (oranžové) odrazové sklá. Aj pneumatiky majú odrazové pásiky. Do vonkajšej tkaniny sú integrované odrazové rúrky. Keď používate vozík ako bicyklový ťažný vozík, pre ešte lepšiu viditeľnosť musíte tiež použiť oranžovú bezpečnostnú zástavku [8]. Použite zadné svetlo, ktoré je súčasťou dodávky, pozri [16].

### Zamýšľané použitie

Ako je špecifikované v tejto príručke, ťažný vozík je určený na prepravu detí na verejných komunikáciách s ľahkou premávkou, chodníkoch a hladkých cestách. Spoločnosť Hamax považuje používanie ťažného vozíka akýmkoľvek iným spôsobom za používanie iné ako na zamýšľaný účel, vrátane, ale nie obmedzene:

- jazdy nadmernou rýchlosťou
- jazdy na hrboľatých terénoch
- používania ťažného vozíka na komerčné účely
- prepravy zvierat
- uloženia batožiny vnútri a mimo ťažného vozíka na mieste inom ako je priestor pre batožinu ťažného vozíka
- ťahania ťažného vozíka motorizovanými vozidlami
- nedodržania pokynov uvedených v tejto príručke

## ZAČÍNAME - INŠTALÁCIA

### [1] Obsah balenia

- Teleso ťažného vozíka (1x) [1a]
- Rýchloupínacie koleso (2x) [1b]
- Bicyklové rameno (1x) [1c]
- Bezpečnostná zástavka (1x) [1d]
- Koleso kočička (1x) [1e]
- Používateľská príručka Hamax Traveller (1x)

- Tlačná tyč [2a]
- Vrečko predného krytu [2b]
- Predný kryt [2c]
- Sedadlové čalúnenia [2d]
- Pripojenie kolesa kočička [2e]
- Parkovacia brzda [2f]
- Chránič kolesa [2g]
- Pripojenie bicyklového ramena [2h]
- Uvoľňovacia rukoväť tlačnej tyče [2i]
- Zadná opierka sedadla [2j]
- Uložný priestor [2k]

### [2] Prehľad výrobku

#### [3] Pripojenie závesu na bicykel

- Odstráňte rýchloupínaciu páčku alebo maticu [3a] z ľavej strany osky zadného kolesa bicykla. Umiestnite záves [3b] medzi rýchloupínaciu páčku alebo maticu a rám. Dajte rýchloupínaciu páčku alebo maticu naspäť a utiahnite podľa pokynov výrobcu bicykla.
- Nasmerujte záves na zadnú časť bicykla. Udržte zarovnanie / uhol medzi závesom a bicyklom taký priamy, ako je to možné.

#### [4] Namontujte chrániče kolies

- Umiestnite dva chrániče kolies [4a] do 2 otvorov na boku rámu. Upevnite skrutku [4b] zo spodku z vnútra rámu. Použite autobusový kľúč dodaný s chráničmi kolies.

### [5] Rozloženie ťažného vozíka

- Uchopte zadný rám [5a] vnútri zadného úložného priestoru [2k] a potiahnite ho dozadu. Súčasne môžete tlačiť horný rám [5b] dopredu.
- Zámky skladania [6a] zapadnú automaticky a počujete zvuk kliknutia.
- Overte si zablokovanie skladacieho mechanizmu tak, že skúsíte potlačiť zadný rám dopredu.
- Vlozte tlačnú tyč [5c] do prípojky tlačnej tyče [12a], zatlačte gombíky [12b] tlačnej tyče a tlačte tlačnú tyč dovnútra, kým sa nezablokuje. Keď sa idete bicyklovať, dajte tlačnú tyč do jej najvyššej polohy [12c].

### [6] Skladanie ťažného vozíka

- Vyberte tlačnú tyč pri súčasnom stlačení gombíkov [12].
- Potiahnite oba zámky [6a] skladania a tlačte rám dopredu, kým sa nezožlí.
- Jemne zatlačte horný rám nadol do zloženej polohy a zložte tkaninu do ťažného vozíka.

### [7] Montáž rýchloupínacích kolies

- Zabezpečte, aby bola parkovacia brzda uvoľnená [2f] a aby bola čistá oska kolesa [7a].
- Držte tlačidlo [7b] a vložte osku kolesa do otvoru. Potiahnite koleso, aby ste si overili bezpečnosť pripojenia.

### [8] Montáž bezpečnostnej zástavky

Vložte tyč zástavky [8a] do otvoru [8b] vedľa tlačnej tyče. Ak je to potrebné, otvorte batožinový priestor, aby ste našli otvor tyče zástavky. Tyč zástavky umiestnite na tú stranu ťažného bicyklového vozíka, ktorá smeruje do vozovky.

## POUŽITIE

### [9] Používanie kolesa kočíka

- Aby ste ho pripojili: Vložte kolík kolesa kočíka [1e] do prednej prípojky kočíka [9a]. Potiahnite koleso kočíka, aby ste si overili bezpečnosť pripojenia.
- Aby ste ho demontovali: Stlačte gombík [9b], aby ste koleso odblokovali a vytiahnite koleso kočíka [1e] z prednej prípojky [9a].
- Keď kočíkujete, môžete uložiť bicyklové rameno [1c] v polohe dozadu do prípojky [10a] bicyklového ramena [19]. V tejto polohe nepoužívajte gombík [10b] bicyklového ramena.

### [10] Pripojenie bicyklového ramena k ťažnému vozíku

- Zasuňte bicyklové rameno [1c] do prípojky [10a] bicyklového ramena.
- Stlačte gombík [10b] bicyklového ramena a zatlačte rameno ďalej, kým nepočujete kliknutie.
- Aby ste vytvorili bezpečné pripojenie, vložte závlačku [10c]. Otočte závlačku [10c] smerom dozadu a zacvaknite ju. Potiahnite bicyklové rameno, aby ste si overili bezpečnosť pripojenia.

### [11] Pripojenie bicyklového ramena k bicyklu

- Pred používaním bezpečne pripevnite ťažnú tyč a bezpečnostný popruh. Pri pripájaní alebo odpájaní tyče z bicykla zabezpečte, aby bol ťažný vozík prázdny.
- Nasuňte bicyklové rameno na záves [11a]. Vložte zadržiavací kolík [11b] cez otvor v bicyklovom ramene a zatvorte ho. Overte si bezpečné upevnenie bicyklového ramena jeho potiahnutím. Omotajte bezpečnostný popruh okolo rámu bicykla a upevnite hák do trojhrannej platničky [11c].
- Zabezpečte vedenie bezpečnostného popruhu okolo podpery reťaze [11d] alebo podpery sedadla [11e] bicyklového rámu.

**TIP:** Keď bicyklové rameno nepoužívate, môžete ho uložiť v ťažnom vozíku.

**TIP:** Keď je bezpečnostný popruh príliš dlhý, môžete ho omotať okolo rámu dvakrát, aby ste zabezpečili, že popruh nezahusuje do žiadnej pohyblivej časti zadného kolesa..

### [12] Nastavenie tlačnej tyče [2a]

- Vyberte tlačnú tyč [2a] zatlačením závlačiek [12b] tlačnej tyče na každej strane a vytiahnite tlačnú tyč von.
- Nastavujte tlačnú tyč 180 stupňov do požadovanej nízkej [12d] alebo vysokej polohy [12c].
- Vložte tlačnú tyč [5c] do prípojky tlačnej tyče [12a], zatlačte gombíky [12b] tlačnej tyče a tlačte tlačnú tyč dovnútra, kým sa nezablokuje. Keď sa idete bicyklovať, dajte tlačnú tyč do jej najvyššej polohy [12c].

### [13] Používanie parkovacej brzdy

- Aby ste ju aktivovali: Tlačte páčku [13a] parkovacej brzdy nadol, kým nevyškočí von gombík [13b] a páka sa nezablokuje. Môže byť potrebné mierne pohnúť ťažným vozíkom dozadu a dopredu, aby si kolík brzdy v blízkosti kolesa našiel svoj otvor. Určite vždy skontrolujte aktivovanie brzdy potlačením ťažného vozíka.
- Aby ste ju deaktivovali: Špičkou vašej nohy zatlačte na uvoľňovací gombík [13b] a páka [13a] sa otočí smerom dohora.

### [14] Predné kryty a clona

- Traveller má 3 predné kryty: plastový kryt [14a], sieťkový kryt [14b] a prídavný protisľnečnú clonu [14d]. Plastový a sieťkový kryt môžu byť upevnené na spodku s použitím háčikov tesne nad rámom [14c].
- Na upevnenie protisľnečnej clony použite velcro pásky [14e]: 4 pre krátku a 6 pre plnú dĺžku. Aby ste skrátili protisľnečnú clonu [14d], zložte ju a upevnite spodné velcro pásky a horné velcro pásky [14f].
- Keď sa nepoužíva, plastový kryt môže byť uložený vo vrecku pod vrchom ťažného vozíka. Sieťkový kryt [14b] a protisľnečná

clona [14d] sa dajú uložiť pod plastový kryt [14g]. Aby ste zabránili vypadnutiu krytov počas jazdy, zatvorte vrecko pomocou gombíkov.

### [15] 5-bodové bezpečnostné pásy

- Usadte dieťa a vložte mu ruky cez otvor medzi ramenným [15a] a bedrovým pásmom [15b]. Skontrolujte, či sú ramenné popruhy zarovnané s ramenami dieťaťa. Nastavte výšku posunutím spôn [15e] nad opierkou hlavy nahor alebo nadol.
- Spojte dve spony ramenného popruhu dohromady a vložte ich do strednej spony [15c] na popruhu rozkroku [15d] tak, aby ste cítili cvaknutie. Skráťte dĺžku popruhu rozkroku a ramenných pásov tak, aby bolo dieťa bezpečne zapnuté. Overtvorte si zablokované bezpečnostných pásov potiahnutím za oba ramenné pásy.

### [16] Montáž svetiel

- Umiestnite svetlá na tej strane bicyklového ťažného vozíka, ktorá smeruje k vozovke.
- Zadné: Pripojte červené svetlo na tlačnú tyč [16]

## STAROSTLIVOSŤ A ÚDRŽBA

### Kontrola pred používaním ťažného vozíka

- Kolesá sú riadne zaistené ku ťažnému vozíku.
- Pneumatiky sú nahustené podľa špecifikovaného tlaku pneumatík
- Ťažný vozík je úplne rozložený a mechanizmus je zablokovaný na oboch stranách. Nezabudnite zablokovať tlačnú tyč.
- Chrbtová opierka sedadla je dobre zaistená a utiahnutá. Pozrite si čiast venovanú údržbe.
- Bezpečnostná zástavka a svetlá sú na svojom mieste, kedykoľvek je to požadované.
- Všetky dôležité komponenty, ako sú: ťažná tyč, pripájacie zariadenie, rám, bezpečnostné pásy, osvetľovacie vybavenie, pneumatiky, kolesá atď., či sú v bezpečnom stave; pravidelné overovanie dobrého utiahnutia zoskrutkovaných zostáv.

### Uskladnenie

Veľmi odporúčame uskladnenie ťažného vozíka Traveller v interiéri, v suchom a dobre vetranom priestore mimo dosahu priameho slnečného svetla.

**TIP:** Na lepši ochranu je dostupný uskladňovací kryt Hamax..

### Údržba

- [17] Parkovacia brzda [2f]: Ak sa brzda neaktivuje na oboch kolesách alebo ak sa úplne nedeaktivuje (koleso potom vydáva tikajúci zvuk), musíte nastaviť lanku parkovacej brzdy a použitím maticových nastavovačov [18a] na každej strane kolesa pod ťažným vozíkom.
- Bicyklový ťažný vozík Traveller má vymeniteľnú sekciu krytu, ktorá je pripojená vo vrecku nad predným otvorom. Pripojenie je vytvorené velcro páskou vnútri vrecka pod hornou tkaninou a s gombíkmi na boku ťažného vozíka.
- Pripojenie kolesa kočička [2e]: Ak je vnútri pripojenia kolesa kočička [2e] nečistota, vypláchnite ju vodou.
- Chrbtová opierka základne sedadla [2j]: Aby bolo sedadlo pohodlné a bezpečné, pravidelne utahujte popruhy [19] na zadnej strane chrbtovej opierky sedadla. Začnite ich utahovať na vrchu a pokračujte utiahnutím na spodku.
- Nepoužívajte čistiace rozpúšťadlá. Čistite len mydlom a vodou.
- Za účelom čistenia môžu byť čalúnenia sedadla [2d] odstránené z ťažného vozíka. Čalúnenie operte v rukách alebo použite studené pranie v práčke s krátkym cyklom žmýkania.
- Pred uskladnením nechajte ťažný vozík úplne vyschnúť, aby ste predišli plesniveniu.
- Ak bol ťažný vozík používaný počas nehody alebo je poškodený, kontaktujte svojho predajcu, aby skontroloval, či sa dá ešte stále používať.
- Všetky dôležité komponenty, ako sú: oj, spojovacie zariadenie, rám, bezpečnostné pásy, osvetľovacie zariadenie, pneumatiky a kolesá atď. Pre bezpečný stav; pravidelné overovanie, či sú skrutkové zostavy dobre dotiahnuté.

## ZÁRUKA

Pre multifunkčný detský vozík Hamax Traveller platí záruka od dátumu nákupu. Doba záruky závisí od zákona príslušnej krajiny. Záruka platí pre chyby materiálu alebo spracovania a nepokrýva škodu spôsobenú nesprávnym používaním, nedostatkom údržby, nedodržaním pokynov príručky, použitím sily alebo normálnym opotrebením. Záruka platí len pre pôvodného používateľa. Pozorne si prečítajte odporúčania pre používanie a údržbu. Podmienky, ktoré môžu spôsobiť predčasné opotrebenie nemusia byť kryté zárukou. Ak si vozík vyžaduje servis alebo ak chcete uplatniť záruku, kontaktujte svojho lokálneho predajcu, od ktorého ste vozík kúpili.



## VŠEOBECNÉ POKYNY PRE BATÉRIE

- Nedobíjateľné batérie nesmú byť dobíjané.
- Pred dobíjaním vyberte dobíjateľné batérie z položky.
- Na tej istej pološke nesmú byť spolu použité rôzne typy batérií a tiež staré a nové batérie.
- Mali by byť použité len batérie rovnakého alebo ekvivalentného typu.
- Uistite sa, že sú batérie vložené so správnou polaritou.
- Prívodné svorky nesmú byť skratované.
- Vyberte prázdne batérie z položky.
- Nie je dovolené spalovanie prázdnych batérií, pretože by mohli explodovať alebo vytiecť.

### Informácie týkajúce sa likvidácie vyčerpaných batérií



Symbol zobrazený na ľavej strane batérií, obale alebo priložených dokumentoch oznamuje, že batérie na konci svojho cyklu životnosti by nemali byť zlikvidované spolu s odpadom z domácnosti. Prípadné pridané písmená pod odpadkovým košom označujú, že batéria obsahuje olovo (Pb), kadmium (Cd) alebo ortuť (Hg). Ako spotrebiteľ ste podľa zákona zaviazaný vrátiť všetky druhy batérií (dobíjateľné a tiež nedobíjateľné) vrátane gombíkových batérií v lokálnych zberných miestach alebo v maloobchode. Toto je bez poplatku. Správna likvidácia umožňuje recyklovanie cenných zdrojov a predchádza možným negatívnym dopadom na ľudí a prostredie.

### Informácie týkajúce sa likvidácie starých elektrických a elektronických výrobkov



Symbol zobrazený na výrobku, obale alebo priložených dokumentoch oznamuje, že výrobky na konci svojho cyklu životnosti by nemali byť zlikvidované spolu s odpadom z domácnosti. Ako spotrebiteľ ste podľa zákona zaviazaný vrátiť elektrické a elektronické výrobky v lokálnom zbernom mieste pre elektronické vybavenie. Toto je bez poplatku. Pred likvidáciou výrobku vyberte z neho batérie. Správna likvidácia umožňuje recyklovanie cenných zdrojov a predchádza možným negatívnym dopadom na ľudí a prostredie. Pre ďalšie informácie kontaktujte orgán miestnej správy alebo predajcu výrobku.

# SL Hvala, da ste izbrali večfunkcijski otroški voziček Hamax Traveller.

Večfunkcijska kolesarska prikolice za otroke s kolesom vozička

Čestitamo vam ob nakupu večfunkcijskega otroškega vozička Hamax Traveller. V vozičku Hamax Traveller, ki je lahko kolesarska prikolice ali voziček, lahko varno in udobno prevažate svojega otroka. Pred sestavljanjem in začetkom uporabe otroškega vozička Hamax Traveller skrbno preberite navodila. Vam in vašim otrokom želimo veliko prijetnih izletov!

Navodila skrbno shranite za poznejšo uporabo.

## SPECIFIKACIJE

- Specifikacije najdete na sliki [A]
- Dimenzije zloženega izdelka (vključno s ščitniki za kolesa): 100 x 74 x 30 cm
- Teža prikolice (v celoti sestavljena prikolice, vključno s kolesarsko roko): 13 kg
- \*\*\*Če želite preveriti obremenitev vlečnega ojesa, izmerite težo na koncu kolesarske roke, ko je prikolice naložena s potniki in tovorom. Težo lahko izmerite tako, da stopite na tehtnico, pri tem pa ne pozabite na lastno težo. Na tehtnico stopite, ko v rokah držite kolesarsko roko. Prepričajte se, da kolesarsko roko držite na pravi višini. Odštejite lastno težo, rezultat pa je obremenitev vlečnega ojesa.

A



### Hitrost vleke

Priporočena hitrost: 16 km/h (10 mph)  
Največja hitrost: 24 km/h (15 mph)



### Obremenitev vlečnega ojesa\*\*

Najmanjša: 0 kg (0 lb)  
Največja: 8 kg (17,5 lb)



### Fizične zahteve

Najnižja starost: 6 mesecev.  
Največ: 22 kg  
Največja velikost otroka: 117 cm (3,83 ft)



### Teža

Največji tovor: 47 kg (105 lb)  
Največja teža otroka: 22 kg (48,5 lb)  
Največja teža, vključno s prikolico: 60kg (132 lb)



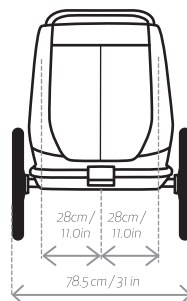
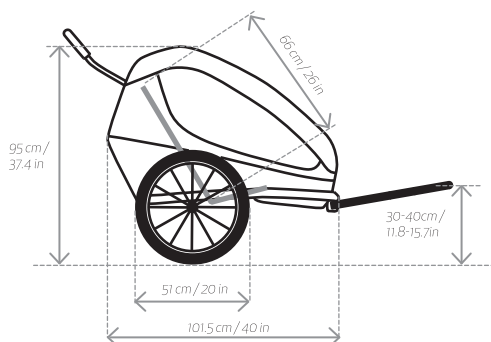
### Prtljage

Največ: 5 kg / 11 lb



### Sedišča

Za 1 ali 2 otroke



# OPOZORILA

- Pomembno – Pred uporabo pazorno preberite navodila in jih shranite kot napotek za v rihodnje..
- Ta izdelek je skladen z evropskimi standardi o otroških prikolicah za kolesa in vozičkiah EN 15918:2011+A2:2017, EN 1888-2:2018
- Sedež ni primeren za otroke, mlajše od šestih mesecev.
- Ta prikolica ni primerna za otroke, ki ne znajo sedeti brez pomoči ali nimajo dovolj močnega vratu. Če ste v dvomih, se posvetujte s pediatrom.
- Ne uporabljajte za otroke, ki presegajo največjo dovoljeno težo.
- Otroka nikoli ne puščajte nenadzorovanega.
- Bodite pozorni na padce in zdrse in se tako izognite resnim poškodbam. Vedno uporabljajte sistem držal.
- Otroci, ki se vozijo v prikolici, naj vedno nosijo pravilno nameščeno čelado, ki je skladna z varnostnimi standardi.
- Vleka prikolice vpliva na stabilnost kolesa in podaljša zavorno pot.
- Prikolica je širša od vašega kolesa. Zavedajte se, da potrebujete več prostora in da je radij obračanja večji.
- Pred vsako vožnjo se prepričajte, da prikolica ne vpliva na zaviranje, poganjanje ali krmiljenje kolesa.
- Ne dovolite, da otrok, obleka, vezalke ali igrače pridejo v stik z deli, ki se premikajo.
- V prikolico ne nameščajte avtosedeža ali kateregakoli drugega sedeža, ki ga ni odobril proizvajalec.
- Prikolice ne predelujte.
- Če kolo nima primernih luči, se z njim nikoli ne vozite ponoči. Upoštevajte vse lokalne predpise za luči.
- Na zadnji strani prikolice mora biti nameščen odsevnik, skladen s predpisi Ameriške komisije za varnost potrošniških proizvodov.
- Pred uporabo preverite tlak v gumah. Gume vedno napolnite do vrednosti, navedene na njihovem zunanjem delu.
- Za čiščenje ne uporabljajte topil. Čistite samo z nežno milnico in vodo.
- Neupoštevanje navodil proizvajalca lahko vodi v resne poškodbe ali smrt potnika/kolesarja.
- Ne dovolite, da bi se otrok igral z izdelkom.
- Pred uporabo preverite, ali so vsi zapahi aktivirani.
- Pred nalaganjem ali izkrcavanjem otrok se prepričajte, da je parkirna zavora vklopljena.
- Da preprečite poškodbe, pazite, da pri odpiranju in zlaganju izdelka otrok ne bo v bližini.
- Ta izdelek ni primeren za tek ali rolanje.
- Ne uporabljajte dodatkov, ki niso odobreni s strani proizvajalca.
- Uporabljajte samo nadomestne dele, ki jih priporoča proizvajalec/distributer.
- Zavedajte se dejavnikov, kot sta prezeblost zaradi vetra in vročinska izčrpanost, ki so jim manj dejavni potniki v prikolici lahko izpostavljeni pri nižjih temperaturah ali pri daljših obdobjih visokih temperatur brez ustreznega zračenja ali hidracije.
- Kakršna koli druga uporaba je lahko nevarna. Hamax ni odgovoren za situacije, ki nastanejo ob kakršni koli drugi uporabi. Kakršna koli druga uporaba je na lastno odgovornost uporabnika.
- Med uporabo kolesarske prikolice zaprite sprednjo stranico.
- Na ročaj za potiskanje ne nameščajte tovora, saj bo to vplivalo na stabilnost prikolice.
- V prikolici ali zunaj nje, razen v prostoru za prtljago, ne hranite prtljage, saj bo to vplivalo na njeno stabilnost.
- Pri kolesarjenju ne pozabite odstraniti vrtljivega kolesa

## Kolesarska varnost

Pred priključitvijo prikolice za kolo na kolo se pripravite, da je vaše kolo primerno za vlečenje prikolice v skladu s navodili proizvajalca in da je opremljeno z ustrezno delujočimi zavorami. Priporočamo, da pred priklopom prikolice na kolo varnost kolesa preveri usposobljen mehanik za kolesa. Vleka kolesarske prikolice z električnim kolesom je morda zakonsko omejena.

## Vedenje med vožnjo

Med vleko prikolice je vaše kolo zaradi teže prikolice težje in manj odzivno. To vedenje spoznajate tako, da naloženo prikolico preizkusite na mirnem mestu. Šele nato jo uporabite na cesti.

Zaradi teže prikolice ima vaše kolo daljšo zavorno pot. Bodite pazljivi pri vožnji po hribu navzdol, saj bo kolo hitreje pridobilo hitrost.

Ne presežite največje dovoljene hitrosti, navedene v teh navodilih, ter pred ovinki in na makadamskih cestah upočasnite.

Zgibajte se vožnji čez skale, robnike ali druge ovire, ki lahko povzročijo, da bi se prikolica prevrnila. Uporaba prikolice v slabih vremenskih, cestnih ali prometnih pogojih je lahko nevarna. Vedno skrbno presodite, ali so pogoji za uporabo prikolice varni.

## Dobra vidljivost

Za optimalno vidljivost in varnost v prometu ima večfunkcijski voziček sprednje (bele) in zadnje (rdeče) odsevnike ter odsevnike na kolesih (oranžne). Prav tako imajo gume odsevne črte. Zunanja tkanina je odsevna. Ko boste voziček uporabljali kot kolesarsko prikolico, za boljšo vidljivost namestite oranžno varnostno zastavico [8]. Uporabite zadnjo luč, ki je vključena, glej [16].

## Predvidena uporaba

Prikolica je namenjena prevozu otrok na manj prometnih javnih cestah, pločnikih in ravnih stezah, kot je to opisano v teh navodilih za uporabo. Hamax kakršno koli drugo uporabo prikolice smatra za nepredvideno, vključno z, vendar ne omejeno na:

- vožnjo pri prevelikih hitrostih
- vožnjo po makadamskih cestah ali izven cest
- uporabo prikolice v komercialne namene
- prevoz živali
- shranjevanje prtljage v prikolici in zunaj nje, razen v prostoru za prtljago
- vleko prikolice z motornimi vozili
- neupoštevanje navodil v teh navodilih za uporabo

## PRVI KORAK - NAMESTITEV

### [1] Vsebina paketa

- Trup prikolice (1x) [1a]
- Kolo s hitrim izpenjanjem (2x) [1b]
- Kolesarska roka (1x) [1c]
- Varnostna zastavica (1x) [1d]
- Kolo vozička (1x) [1e]
- Navodilo za uporabo izdelka Hamax Traveller (1x)

- Ročaj za potiskanje [2a]
- Žep sprednje stranice [2b]
- Sprednja stranica [2c]
- Oblazinjenje sedeža [2d]
- Nastavek kolesa vozička [2e]
- Parkirna zavora [2f]
- Ščitnik kolesa [2g]
- Nastavek kolesarske roke [2h]
- Ročica za sprostitvev ročaja za potiskanje [2i]
- Zadnja stran naslona za hrbet [2j]
- Prostor za prtljago [2k]

### [2] Sestavni deli izdelka

#### [3] Namestitve veznega člena na kolo

- Odstranite vpenjalec ali matico [3a] na levi strani osi zadnjega kolesa. Vezni člen [3b] namestite med vpenjalec ali matico in okvir. Vpenjalec ali matico namestite nazaj in zategnite v skladu z navodili proizvajalca kolesa.
- Vezni člen obrnite proti zadnjemu delu. Poravnava/kot med veznim členom in kolesarsko roko naj bo čim bolj naravnost.

#### [4] Namestitvev ščitnikov koles

Oba ščitnika koles [4a] vstavite v luknji na strani okvirja. Vijak [4b] privijte s spodnje strani okvirja. Uporabite priložen imbusni ključ za ščitnika koles.

#### [5] Odpiranje prikolice

- Primate zadnjo stran okvirja [5a] v prostoru za shranjevanje na zadnji strani [2k] in ga povlecite nazaj. Medtem pa potisnite zgornjo stran okvirja [5b] naprej.
- Zapirali za zlaganje [6a] se samodejno zakleneta, ko zaslišite klik.
- S potiskanjem zadnjega okvirja naprej preverite, ali je mehanizem za zlaganje zaklenjen.
- Ročaj za potiskanje [5c] vstavite v priključek za ročaj [12a], pritisnite gumba na ročaju [12b] in potisnite ročaj za potiskanje v priključek, dokler se ne zaklene. Med kolesarjenjem [12c] mora biti ročaj za potiskanje v najvišjem možnem položaju.

#### [6] Zlaganje prikolice

- Pritisnite gumba [12], da lahko odstranite ročaj za potiskanje.
- Povlecite obe zapirali za zlaganje [6a] in potisnite okvir naprej, dokler se ne zloži.
- Zgornji okvir previdno potisnite navzdol v zložen položaj, blago pa zložite v prikolico.

### [7] Namestitev koles s hitrim izpenjanjem

- Prepričajte se, da parkirna zavora [2f] ni vklopljena in da je os kolesa [7a] čista.
- Držite gumb [7b] in vstavite os kolesa v držalo. Potegnite za kolo in se prepričajte, da je varno pritrjeno.

### [8] Namestitev varnostne zastavice

- Drog zastavice [8a] vstavite v držalo [8b] poleg ročaja za potiskanje. Po potrebi odprite prostor za prtljago, da poiščete držalo za drog zastavice. Drog zastavice namestite na tisto stran kolesarske prikolice, ki je bolj izpostavljena cesti.

## UPORABA

### [9] Uporaba kolesa vozička

- Za namestitev: Zatič kolesa vozička [1e] vstavite v sprednji priključek za voziček [9a]. Potegnite za kolo vozička in se prepričajte, da je varno pritrjeno.
- Za odstranitev: Pri odklepanju pritisnite gumb [9b] in povlecite kolo vozička [1e] iz sprednjega priključka [9a].
- Med uporabo vozička lahko date kolesarsko roko [1c] na zadnji del v nastavek za kolesarsko roko ([10a] in [19]). V tem položaju ne uporabljajte gumba [10b] za kolesarsko roko.

### [10] Pritrjevanje kolesarske roke na prikolico

- Kolesarsko roko [1c] potisnite v nastavek za kolesarsko roko [10a].
- Pritisnite gumb kolesarske roke [10b] in jo potisnite v nastavek, dokler ne zaslišite klika.
- Iz varnostnih razlogov vstavite zaklepni zatič [10c]. Zaklepni zatič [10c] zavrtite proti zadnjemu delu taka, da se zaskoči. Kolesarsko roko povlecite in se prepričajte, da je varno pritrjena.

### [11] Pritrjevanje kolesarske roke na kolo

- Pred uporabo dobro pritrdite vlečni drog in varnostni pašček. Pred priključitvijo in odklapljanjem s kolesa poskrbite, da prikolica ni naložena.
- Kolesarsko roko zadržajte na vezni člen [11a]. Varnostno zaponko [11b] vstavite skozi luknjo v kolesarski roki in jo zaprite. Potegnite za kolesarsko roko in se prepričajte, da je ta varno pritrjena. Varnostni pašček ovijete okoli okvirja kolesa in kaveljček pritrdite v trikotno ploščico [11c].
- Poskrbite, da varnostni pašček napeljete okoli cevi pri verigi [11d] ali podsedežne cevi [11e] okvirja kolesa.

**NAMIG:** Ko kolesarske roke ne uporabljate, jo lahko shranite v prikolici.

**NAMIG:** Če je varnostni pašček predolg, ga lahko dvakrat ovijete okoli okvirja in tako preprečite, da bi se zapletel v premikajoče se dele zadnjega kolesa.

### [12] Nastavitev ročaja za potiskanje [2a]

- Na vsaki strani pritisnite na oba zatiča ročaja za potiskanje [12b] in izvlecite ročaj za potiskanje [2a].
- Dvignite ročaj za potiskanje za 180 stopinj in nastavite nižji [12d] ali višji položaj [12c].
- Ročaj za potiskanje [5c] vstavite v priključek za ročaj [12a], pritisnite gumba na ročaju [12b] in potisnite ročaj za potiskanje v priključek, dokler se ne zaklene. Med kolesarjenjem [12c] mora biti ročaj za potiskanje v najvišjem možnem položaju.

### [13] Uporaba parkirne zavore

- Vklp: Ročico parkirne zavore [13a] potisnite navzdol, dokler gumb [13b] ne izskoči, ročica pa se zaklene. Morda boste morali prikolico pomakniti malce naprej in nazaj, da se bo zatič zavore pri kolesu vpel v svojo odprtino. Pravilno delovanje zavore vedno preverite tako, da prikolico potisnete.
- Izklop: Z nogo pritisnite gumb za sprostitvev [13b], da se ročica [13a] dvigne navzgor.

### [14] Sprednje stranice in senčnik

- Prikolica Traveller ima 3 sprednje stranice: plastično stranico [14a], stranico iz mrežice [14b] in dodaten senčnik [14d]. Plastično stranico in stranico iz mrežice je mogoče pritrditi s kaveljčki na spodnjo stran tik nad okvirjem [14c].
- Za pritrditev senčnika uporabite sprijemalne trakove [14e]: 4 za krajšo dolžino in 6 za celotno dolžino. Če želite skrajšati senčnik [14d], ga zavijte in sprijemalne trakove na dnu pritrdite na sprijemalne trakove na vrhu [14f].
- Ko plastične sprednje stranice ne uporabljate, jo lahko spravite v žep pod vrhom prikolice. Stranico iz mrežice [14b] in senčnik [14d] lahko spravite pod plastično stranico [14g]. Zaprite žep z gumbi in tako preprečite, da bi stranice med vožnjo padle iz prikolice.

### [15] Pettočkovni varnostni pas

- Otroka posedite in njegove roke dajte skozi odprtino med rameni [15a] in pasom [15b]. Preverite, ali so pasovi za ramena poravnani z otrokovimi rameni. Višino nastavite s premikanjem zaponk [15e] nad naslonom za glavo navzgor ali navzdol.
- Zaponki za pasova za ramena spnite skupaj in ju vstavite v osrednjo zaponko [15c] na pasu za mednožje [15d], da se zaskoči. Skrajšajte pas za mednožje in pasova za ramena, tako da je otrok varno pritrjen. Potegnite za oba pasova za ramena ter se prepričajte, da je varnostna zaponka zaprta.

## [16] Namestititev luči

- Luči namestite na stran prikolice, ki je najbolj izpostavljena cesti.
- Zadnja: Rdečo luč namestite na ročaj za potiskanje [16]

## VZDRŽEVANJE

### Pred uporabo preverite

- Kolesa so trdno pritrjena na prikolico.
- Pnevmatike so napolnjene v skladu z določenim tlakom.
- Prikolica je pravilno odprta, mehanizem pa je zaklenjen na obeh straneh. Na pozabite zakleniti ročaja za potiskanje.
- Naslon za hrbet sedeža je varno pritrjen in zategnjen. Glejte razdelek o vzdrževanju.
- Varnostna zastavica je na svojem mestu, če je potrebna.
- Vse pomembne sestavne dele, kot so vlečno oje, priključna naprava, okvir, varnostni pasovi, luči, gume in kolesa, itd. morate iz varnostnih razlogov redno pregledovati in se prepričati, da so sestavljeni deli čvrsto pritrjeni.

### Shranjevanje

Močno priporočamo, da prikolico Traveller shranjujete v suhih in dobro prezračениh zaprtih prostorih, umaknjeno od neposredne svetlobe.

**NAMIG:** Za boljšo zaščito uporabite prevleko za shranjevanje Hamax.

### Vzdrževanje

- [17] Parkirna zavora [2f]: Če zavora ne deluje na obeh kolesih ali se ne sprostí v celoti (kolo v tem primeru tiktaka), morate na vsaki strani kolesa pod prikolico z nastavljivo matico [18a] nastaviti kable parkirne zavore.
- Kolesarska prikolica Traveller ima zamenljivo stranico, ki je pritrjena v žepu nad zgornjo odprtino. Namesti se jo s sprijemalnim trakom v žepu pod zgornjo tkanino in z gumbi ob straneh prikolice.
- Priključek kolesa vozička [2e], če je v priključku kolesa vozička [2e] umazanija, ga sperite z vodo.
- Naslon za hrbet sedeža [2j]: Da bo sedenje udobno in varno, redno zategujte pasove [18] naslona za hrbet sedeža. Poskrbite, da jih boste najprej zategnili na vrhu, nato pa na dnu.
- Za čiščenje ne uporabljajte topil. Čistite samo z nežno milnico in vodo.
- Za namene čiščenja oblažinjene sedeža [2d] lahko odstranite iz prikolice. Sedež operite na roka ali v pralnem stroju pri nizki temperaturi in s kratkim centrifugiranjem.
- Da bi preprečili plesnenje, naj se prikolica pred shranjevanjem dobro posuši.
- Če je bila prikolica udeležena v nesreči ali je poškodovana, se obrnite na prodajalca, ki naj preveri, ali je še vedno primerna za uporabo.
- Vse pomembne komponente, kot so: ojnica, priključna naprava, okvir, varnostni pasovi, svetlobna oprema, pnevmatike in kolesa itd. Za varno stanje; redno preverjanje, ali so vijaki spoji dobro zategnjeni.

## GARANCIJA

Večfunkcijski voziček Hamax Traveller je v garanciji od dneva nakupa. Trajanje garancije je odvisno od zakonov v zadevni državi. Garancija velja za napake v materialu ali izdelavi in ne krije škode zaradi nepravilne uporabe, pomanjkanja vzdrževanja, neupoštevanja navodil, uporabe sile ali običajne obrabe. Garancija velja samo za prvotnega uporabnika. Pozorno preberite priporočila za uporabo in vzdrževanje. Pogojev, ki lahko povzročijo prezgodnjo obrabo nosilca, garancija lahko ne pokriva. V primeru, da voziček potrebuje servis ali če želite uveljaviti garancijski zahtevek, se obrnite na lokalnega prodajalca, pri katerem ste ga kupili.

## SPLOŠNA NAVODILA ZA BATERIJE

- Baterij, ki jih ni mogoče ponovno polniti, ne smete polniti.
- Polnilne baterije pred polnjenjem odstranite iz izdelka.
- V izdelku ne smete skupaj uporabljati različnih tipov baterij, prav tako tudi ne starih in novih baterij.
- Uporabljajte lahko baterije istega ali enakovrednega tipa, kot je navedeno.
- Baterije pravilno vstavite glede na polariteto.
- Na napajalnih priključkih ne sme priti do kratkega stika.
- Prazne baterije odstranite iz izdelka.
- Praznih baterij ne sežigajte, saj lahko eksplodirajo ali pa pride do puščanja.

### Informacije glede odlaganja izpraznjenih baterij



Simbol na levi strani baterij, embalaže ali v priloženih dokumentih označuje, da baterij ob koncu življenjske dobe ne smete zavreči med gospodinjske odpadke. Pod simbolom koša za smeti so lahko dodane črke, ki označujejo, da baterija vsebuje svinec (Pb), kadmij (Cd) ali živo srebro (Hg). Zakon vas kot potrošnika zavezuje, da vse vrste baterij (polnilne in tiste, ki jih ni mogoče ponovno polniti) ter gumbaste baterije zavržete na lokalnih zbirnih mestih ali jih odnesete k prodajalcu. To je brezplačna storitev. Ustrezno odlaganje omogoča recikliranje dragocenih virov in preprečuje možne negativne učinke na ljudi in okolje.

### Informacije glede odlaganja starih električnih in elektronskih izdelkov



Simbol na izdelku, embalaži ali v priloženih dokumentih označuje, da izdelka ob koncu življenjske dobe ne smete zavreči med gospodinjske odpadke. Zakon vas kot potrošnika zavezuje, da električne in elektronske izdelke zavržete na lokalnem zbirnem mestu za elektronsko opremo. To je brezplačna storitev. Preden izdelek zavržete, odstranite baterije. Ustrezno odlaganje omogoča recikliranje dragocenih virov in preprečuje možne negativne učinke na ljudi in okolje. Za več informacij se obrnite na lokalni organ ali prodajalca izdelka.

# ES Gracias por elegir el Transporte Infantil Multifunción Hamax Traveller

Tráiler infantil multifunción para bicicleta con ruedas de remolque

Enhorabuena por la adquisición de su transporte infantil multifunción Hamax Traveller. Puede transportar a sus hijos de una manera segura y cómoda utilizando el Hamax Traveller como un tráiler para bicicleta y como carrito de paseo. Lea detenidamente las instrucciones antes de montar o utilizar Hamax Traveller. ¡Le deseamos a usted y a sus hijos muchos viajes increíbles!

Deje estas instrucciones en un lugar seguro para su uso posterior.

## ESPECIFICACIONES:

- Vea las especificaciones de la imagen [A]
- Dimensiones plegado (incl. protección de las ruedas): 100 x 74 x 30cm
- Peso del tráiler (tráiler montado completamente incl. brazo de bicicleta): 13kg
- \*\*Para comprobar la carga de remolque, mida el peso al final del brazo de la bicicleta mientras el tráiler esté cargado de pasajeros y equipaje. Puede medirlo subiendo a una báscula y recordando su propio peso. Súbase a una báscula con el brazo de la bicicleta en las manos. Asegúrese de que sostiene el brazo de la bicicleta a la altura correcta. Reste su propio peso y el resultado será el peso de remolque.

A



### Velocidad de remolque

Velocidad a consejada: 16km/h / 10mph  
Velocidad máxima: 24km/h / 15mph



### Carga de remolque\*\*

Min: 0kg / 0lb  
Max: 8kg / 17,5lb



### Requisitos físicos

Edad mínima: 6 meses. Máximo: 22 kg  
Altura máxima del niño: 117cm / 3,83ft



### Capacidad de peso

Carga máxima: 47kg / 105lb  
Peso máximo del niño: 22kg / 48,5lb  
Peso máximo incl. tráiler: 60kg / 132lb



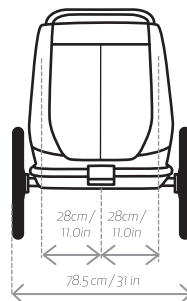
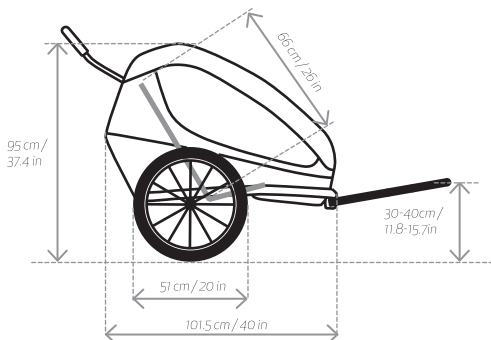
### Equipaje

Máximo: 5 kg / 11 lb



### Posiciones de asiento

Para 1 o 2 niños





## DIRECTRICES DE SEGURIDAD

# PRECAUCIÓN

- **Importante** – Leer detenidamente y mantenerlas para futuras consultas.
- Este producto cumple con las normas europeas para tráileres y carritos de bicicleta para niños EN 15918:2011+A2:2017, EN 1888-2:2018.
- Este asiento no es adecuado para niños menores de 6 meses.
- Este asiento no es apto para niños que no puedan sentarse sin ayuda o que no tengan la fuerza adecuada en el cuello. Si tiene dudas consulte a un pediatra.
- No utilizar con niños que excedan los límites de peso.
- No dejar nunca al niño desatendido.
- Evite lesiones graves por caídas o deslizamientos. Usar siempre el sistema de retención.
- Los ocupantes deberán llevar siempre un casco aprobado y ajustado como es debido.
- En EE.UU., ver la normativa de seguridad CPSC sobre cascos de bicicleta.
- Remolcar un tráiler afectará a la estabilidad de la bicicleta e incrementará la distancia de frenado.
- Este tráiler es más ancho que una bicicleta. Mantenga una distancia extra y preste atención al radio de girado superior.
- Antes de montar, asegúrese de que el asiento colocado no interfiera con el frenado, el pedaleo o el viraje de la bicicleta.
- No permita que ninguna parte del cuerpo del niño, su ropa, sus cordones o algún juguete entren en contacto con las partes en movimiento.
- No instale dentro del tráiler un asiento para el coche ni cualquier otro dispositivo de asiento que no haya sido aprobado por el fabricante.
- No haga modificaciones al tráiler.
- No utilice nunca la bicicleta de noche sin las luces adecuadas. Obedezca todos los requisitos legales locales de iluminación.
- En la parte trasera del tráiler deberá ser visible un reflector que cumpla con las normativas CPSC.
- Compruebe la presión de los neumáticos antes de usar. Infle siempre los neumáticos hasta alcanzar el nivel de inflado especificado en los neumáticos externos.
- No utilice disolventes de limpieza. Limpie solo con jabón suave y agua.
- No seguir las instrucciones y las advertencias del fabricante podría provocar graves lesiones o incluso la muerte del pasajero/conductor.
- No permita que el niño juegue con este producto.
- Asegurarse de que todos los dispositivos de cierre están engranados antes del uso.
- Asegúrese de que el freno de estacionamiento está puesto al cargar y descargar a su hijo.
- Para evitar lesiones, asegúrese de que el niño se mantiene alejado durante el desplegado y el legado de este producto.
- Este producto no es adecuado para correr o patinar.
- No utilice accesorios no aprobados por el fabricante.
- Solo deberán usarse piezas de repuesto suministradas o recomendadas por el fabricante/distribuidor.
- Preste atención a los peligros de exposición como el frío por el viento o el agotamiento por el calor, ya sea por la exposición prolongada a temperaturas frías de los pasajeros del tráiler que estarán menos activos, o por periodos largos a temperaturas más cálidas y sin la ventilación o hidratación adecuadas.
- El uso indebido podría llevar a situaciones peligrosas. Hamax no se hace responsable por los daños causados por el uso indebido. Cualquier uso indebido es a riesgo del usuario.
- Cierre la cubierta delantera al usar el tráiler de bicicleta.
- No conecte ninguna carga a la barra de empuje pues afectará a la estabilidad del tráiler.
- No coloque equipaje en zonas dentro o fuera del tráiler que no sean el compartimento para el equipaje, pues esto puede afectar a la estabilidad del tráiler.

- No olvides retirar la rueda giratoria cuando vayas en bicicleta.

### Seguridad en bicicleta

Antes de conectar el carrito de bicicleta a su bicicleta, asegúrese de que es apta para tirar de un carrito de acuerdo con las instrucciones del fabricante de la bicicleta y que está equipada con frenos que funcionan correctamente. Se recomienda que la bicicleta que se use para tirar del carrito apruebe una comprobación de seguridad realizada por un mecánico de bicicletas profesionales antes de conectar el carrito. Los tráilers tirados por bicicletas eléctricas podrían ser restringidos por la ley.

### Conducta al volante

Al remolcar un tráiler, la bicicleta será más pesada y responderá peor debido al peso del tráiler. Familiarícese con el comportamiento de la bicicleta haciendo pruebas con un tráiler cargado y en una zona tranquila antes de entrar en vías públicas concurridas.

Sea consciente de que debido al peso del tráiler la distancia de frenado de su bicicleta será mayor. Tenga cuidado al conducir cuesta abajo pues su bicicleta ganará más velocidad rápidamente.

No supere la velocidad máxima especificada en este manual y reduzca la velocidad al girar y sobre vías más escabrosas. Evite conducir sobre rocas, bordillos y demás obstáculos que puedan provocar que el tráiler vuelque. Usar el tráiler con condiciones climáticas, viales o de tráfico no favorables podría llevar a situaciones poco seguras. Utilice el sentido común para decidir si las condiciones son seguras para usar el tráiler.

### Visibilidad Alta

Para una visibilidad y seguridad óptimas con tráfico, el transporte multifunción tiene reflectores delante (blanco), detrás (rojo) y en las ruedas (naranja). Hay tubos reflectores integrados en el tejido exterior. Al utilizar el transporte como tráiler de bicicleta también deberá utilizar la bandera naranja de seguridad para tener una visibilidad aún mayor [8]. Use la luz trasera que se incluye, vea [16].

### Uso previsto

El uso previsto del tráiler es el transporte de niños tal y como se especifica en este manual y en vías públicas con tráfico leve, en aceras y en caminos lisos. Hamax considera que el cualquier otro uso del tráiler es uso indebido, incluyendo pero sin limitarse a:

- conducir a velocidad excesiva
- conducir por caminos en condiciones accidentadas fuera de carretera
- usar el tráiler con fines comerciales
- transportar animales
- guardar equipaje en áreas en el interior o en el exterior del tráiler que no sean el compartimento para equipaje del tráiler
- remolcar el tráiler con vehículos motorizados
- no cumplir con las instrucciones de este manual

## INICIO - INSTALACIÓN

### [1] Contenido del embalaje

- Carrocería del tráiler (1x) [1a]
- Rueda de liberación rápida (2x) [1b]
- Brazo de la bicicleta (1x) [1c]
- Bandera de seguridad (1x) [1d]
- Rueda de carrito (1x) [1e]
- Manual de instrucciones de Hamax Traveller (1x)

### [2] Resumen del producto

- Barra de empuje [2a]
- Bolsillo de cubierta delantera [2b]
- Cubierta delantera [2c]
- Acolchado de asiento [2d]
- Conexión de rueda de carrito [2e]
- Freno de estacionamiento [2f]
- Protección de rueda [2g]
- Conexión de brazo de bicicleta [2h]
- Manilla de desbloqueo de la barra de empuje [2i]
- Parte trasera del respaldo del asiento [2j]
- Espacio de almacenaje [2k]

### [3] Instalar el enganche de su bicicleta

- Quitar el cierre rápido o la tuerca [3a] del lado izquierdo del eje de la rueda trasera de la bicicleta. Coloque el enganche [3b] entre el cierre rápido o tuerca y el cuadro. Vuelva a ajustar el cierre rápido o tuerca a como aparecía en las instrucciones del fabricante.
- Haga que el enganche apunte a la parte trasera. Mantenga la alineación/ángulo entre el enganche y el brazo de la bicicleta tan recto como sea posible.

### [4] Monte los protectores de las ruedas

- Coloque los dos protectores de las ruedas [4a] en los 2 agujeros que hay en el lateral del cuadro. Apriete el tornillo [4b] de la parte inferior en el interior del cuadro. Use la llave Allen que venía con los protectores de las ruedas.

### [5] Desplegar el tráiler

- Agarre el marco trasero [5a] dentro del compartimento de almacenaje trasero [2k] y tire de él hacia atrás. Mientras hace esto puede empujar el marco superior [5b] hacia delante.

- Los bloqueos de despliegue [6a] se bloquearán automáticamente y oirá un clic.
- Verifique que el mecanismo de doblado se bloquee tratando de empujar el marco trasero hacia delante.
- Introduzca la barra de empuje [5c] en la conexión de dicha barra [12a], pulse los botones de la barra de empuje [12b] y empuje la barra hacia dentro aún más hasta que se bloquee. Coloque la barra de empuje en la posición más alta cuando vaya a montar en bicicleta [12c].

#### [6] Plegar el tráiler

- Retire la barra de empuje mientras presiona los botones [12].
- Tire de ambos bloqueos de pliegue [6a] y empuje el marco hacia delante hasta que se pliegue.
- Empuje suavemente el marco superior hacia abajo hasta su posición plegada y pliegue los tejidos hacia el interior del tráiler..

#### [7] Montar las ruedas de liberación rápida

- Asegúrese de que el freno de estacionamiento no esté puesto [2f] y que el eje de las ruedas [7a] esté limpio.
- Pulse el botón [7b] e inserte el eje de la rueda en el conector. Tire de la rueda para verificar que la conexión es segura.

#### [8] Colocar la bandera de seguridad

- Coloque el asta de la bandera [8a] en el agujero [8b] que está junto a la barra de empuje. Si fuera necesario, abra el compartimento del equipaje para encontrar el agujero para el asta de la bandera. Coloque el mástil de la bandera en el lado del tráiler que se encuentre más expuesto hacia la carretera.

## USO

#### [9] Usar la rueda del carrito

- Para engancharla: Inserte el pivote de la rueda del carrito [1e] en la conexión frontal del carrito [9a]. Tire de la rueda para verificar que la conexión es segura.
- Para quitar: Pulse el botón [9b] para desbloquear y tire de la rueda del carrito [1e] para sacarla de la conexión frontal [9a].
- Mientras usa el carrito puede guardar el brazo de la bicicleta [1c] en una posición hacia atrás en el anexo para el brazo de la bicicleta [10a] [19]. No utilice el botón del brazo de la bicicleta [10b] en esta posición..

#### [10] Adjuntar el brazo de la bicicleta al tráiler

- Deslice el brazo de la bicicleta [1c] dentro del anexo para el brazo de la bicicleta [10a].
- Presione el botón del brazo de la bicicleta [10b] y empuje más el brazo hacia dentro hasta que haga clic.
- Introduzca el pivote de bloqueo [10c] para tener una conexión segura. Rote el pivote de bloqueo [10c] hacia la parte trasera y haga que dé vueltas sobre sí mismo. Tire del brazo de la bicicleta para verificar que la conexión es segura.

#### [11] Enganchar el brazo de la bicicleta a la bicicleta

- Enganchar con seguridad la barra de tracción y la correa de seguridad antes de usar. Asegurarse de que el tráiler está descargado al unirlo y separarlo de la bicicleta.
- Deslice el brazo de la bicicleta en el enganche [11a]. Inserte el perno de retención [11b] a través del agujero del brazo de la bicicleta y ciérrela. Compruebe que el brazo de la bicicleta está fijado con firmeza tirando del brazo de la bicicleta. Coloque la correa de seguridad alrededor del cuadro de la bicicleta y una el gancho a la placa triangular [11c].
- Asegúrese de que coloca la correa de seguridad alrededor de la cadena [11d] o el asiento [11e] del cuadro de la bicicleta.

**CONSEJO:** Cuando no esté usando el brazo de la bicicleta puede guardarlo en el tráiler.

**CONSEJO:** Cuando la correa de seguridad es demasiado larga puede rodear dos veces el cuadro para asegurarse de que la correa no interfiera con ninguna parte de la rueda trasera.

#### [12] Ajustar la barra de empuje [2a]

- Retire la barra de empuje [2a] presionando los pivotes de bloqueo de la barra [12b] de cada lado y tire de la barra hasta sacarla.
- Ajuste la barra de empuje 180 grados hasta la posición baja [12d] o alta [12c] que desee.
- Introduzca la barra de empuje [5c] en la conexión de dicha barra [12a], pulse los botones de la barra de empuje [12b] y empuje la barra hacia dentro aún más hasta que se bloquee. Coloque la barra de empuje en la posición más alta cuando vaya a montar en bicicleta [12c].

#### [13] Utilizar el freno de estacionamiento

- Para ponerlo: Presione la palanca de freno de estacionamiento [13a] hacia abajo hasta que el botón [13b] salte y la palanca se haya bloqueado. Puede que necesite mover el tráiler levemente hacia delante y detrás para que el pivote del freno que está junto a la rueda encuentre el agujero que le corresponda. Asegúrese siempre de comprobar si el freno está echado empujando el tráiler.
- Para quitarlo: Presione el botón de liberación [13b] con la punta del pie y la palanca [13a] rotará hacia arriba.

#### [14] Cubiertas delanteras y pantalla

- El Traveller tiene 3 cubiertas delanteras: una cubierta de plástico [14a], una cubierta de red [14b] y una pantalla parasol adicional [14d]. Las cubiertas de plástico y red pueden fijarse a la parte interior utilizando los ganchos que se encuentran sobre el marco [14c].

- Para colocar la pantalla utilice las piezas de velcro [14e]; 4 para poca longitud y 6 para la longitud completa. Para acortar la pantalla para el sol [14d], pliéguela y fije las piezas de velcro inferiores a las piezas de velcro superiores [14f].
- Cuando no se estén usando, las cubiertas pueden guardarse en el bolsillo [14g]. Cierre el botón utilizando los botones para evitar que las cubiertas se caigan durante los paseos.

#### [15] Arnés de seguridad de 5 puntos

- Siente al niño y haga que sus brazos crucen la abertura que queda entre el cinturón de sus [15a] hombros y su cintura [15b]. Compruebe que las correas de los hombros estén alineadas con los hombros del niño. Ajuste la altura deslizando las hebillas [15e] sobre el respaldo de la cabeza hacia arriba o hacia abajo.
- Conecte las dos hebillas de las correas de los hombros e insértelas por la hebilla central [15c] en la correa de la entrepierna [15d] hasta que haga clic. Reduzca la longitud de las correas de los hombros y la entrepierna para que el niño quede bien sujeto. Compruebe que el arnés de seguridad está bien cerrado tirando de las correas de los dos hombros.

#### [16] Colocar las luces

- Coloque las luces en el lado del tráiler que se encuentre más expuesto hacia la carretera.
- Detrás: Una luz roja a la barra de empuje [16] .

## CUIDADOS Y MANTENIMIENTO

### Antes de usar el tráiler compruebe que

- Las ruedas estén bien sujetas al tráiler.
- Los neumáticos estén inflado con la presión de neumático especificada
- El tráiler esté completamente desplegado y que el mecanismo esté bloqueado por ambos lados. No olvide bloquear la barra de empuje.
- El apoyo del asiento trasero está bien asegurado y sujeto. Lea la sección de mantenimiento.
- La bandera y las luces de seguridad están en su sitio para cuando puedan necesitarse.
- En todos los componentes importantes como: barra de remolque, dispositivo de unión, marco, cinturones de seguridad, equipo de iluminación, neumáticos y ruedas, etc., para estar en condiciones seguras, deberá llevarse una verificación regular en que se compruebe que los montajes atornillados están bien sujetos.

### Almacenaje

- Se recomienda guardar el tráiler Traveller en interiores, en una zona seca y bien ventilada apartado de la exposición directa al sol.

**CONSEJO:** Hay disponible una cubierta para almacenaje Hamax para una protección superior.

### Mantenimiento

- [17] Freno de estacionamiento [2f]: Si el freno no funciona en ambas ruedas o no se desbloquea totalmente (la rueda hará un sonido constante), necesitará ajustar los cables del freno de estacionamiento utilizando los ajustadores de tuerca [18a] en ambos lados de las ruedas por debajo del tráiler.
- El tráiler de bicicleta Traveller tiene una sección de cubiertas intercambiables que viene en un bolsillo sobre la apertura delantera. La conexión se hace con velcro en el interior del bolsillo bajo los tejidos superiores y con botones en la parte lateral del tráiler.
- Conexión de las ruedas del carrito [2e]; si hubiera palvo en el interior de la conexión de las ruedas del carrito [2e], aclérela con agua.
- Respaldo del asiento [2j]: Para que el asiento sea cómodo y seguro, ajuste habitualmente las correas [19] de la parte trasera del respaldo del asiento. Asegúrese de que ajusta primero la parte de arriba y después la parte de abajo.
- No utilice disolventes de limpieza. Limpie solo con jabón suave y agua.
- El acolchado [2d] puede retirarse del tráiler para poder limpiarlo. Lave el asiento a mano o en lavadora con agua fría y con ciclo de centrifugado corto.
- Permita que el tráiler se seque completamente antes de guardarlo para evitar que aparezca moho.
- Si el tráiler se ve envuelto en algún accidente o sufre algún daño, diríjase a la casa distribuidora para comprobar que pueda seguir utilizándose.
- Todos los componentes importantes, tales como: barra de tiro, dispositivo de conexión, marco, cinturones de seguridad, equipo de iluminación, neumáticos y ruedas, etc. para una condición segura verificación regular si los ensamblajes atornillados están bien apretados.

## GARANTÍA

El Transporte Infantil Multifuncional Hamax Outback tiene garantía desde la fecha de su compra. El periodo de garantía depende de la legislación del país en cuestión. La garantía es aplicable a defectos en los materiales o en la mano de obra y no cubre daños debidos al uso inadecuado, falta de mantenimiento, incapacidad para seguir el manual de instrucciones, uso de la fuerza o el desgaste habitual. La garantía solo es válida para el usuario original. Por favor, lea detenidamente las recomendaciones de uso y mantenimiento. Las condiciones que puedan provocar el desgaste prematuro de este producto no estarán cubiertas por esta garantía. Si se requiriese de algún servicio para este producto o si quisiera hacer una reclamación de garantía, contacte con el distribuidor al que se lo compró.

## INSTRUCCIONES GENERALES PARA PILAS

- Las pilas no recargables no deben cargarse.
- Retire las pilas recargables del objeto antes de cargarlas.
- No deben utilizarse tipos de pilas diferentes ni baterías antiguas y nuevas en combinación en un mismo objeto.
- Solo deben usarse pilas del mismo tipo o de tipo equivalente, como se especifica.
- Asegúrese de que las pilas se inserten con la polaridad correcta.
- Los terminales de suministro no deben cortocircuitarse.
- Retire las pilas vacías del objeto.
- Quemar pilas vacías no está permitido, pues podrían explotar o tener fugas.

### Información sobre la eliminación de pilas agotadas



El símbolo que se muestra a la izquierda de las pilas, en el envoltorio o en los documentos adjuntos significa que las pilas no deberán tirarse a la basura al final de su ciclo de vida junto con los residuos domésticos. Las letras que puede que se incluyan junto a la papelería significan que la pila puede contener plomo (Pb), cadmio (Cd) o mercurio (Hg). Como consumidor, está obligado por ley a entregar todo tipo de pilas (tanto recargables como no recargables), incluidas las pilas de botón, en lugares de recogida locales o en el mercado minorista. Este proceso no tiene ningún coste. La eliminación adecuada permite el reciclado de recursos valiosos y previene los posibles efectos negativos sobre los humanos y el entorno.

### Información sobre la eliminación de productos eléctricos y electrónicos y antiguos



El símbolo que se muestra en el producto, en el envoltorio o en los documentos adjuntos significa que el producto no debería tirarse a la basura al final de su ciclo de vida junto con los residuos domésticos. Como consumidor, está obligado por ley a entregar los productos eléctricos y electrónicos en algún lugar de recogida de equipo electrónico. Este proceso no tiene ningún coste. Retire las pilas antes de deshacerse del producto. La eliminación adecuada permite el reciclado de recursos valiosos y previene los posibles efectos negativos sobre los humanos y el entorno. Para más información, contacte con las autoridades locales o con el proveedor del producto.

# FI Kiitos, että valitsit Hamax Traveller -lasten monitoimivaunun

Lasten monikäyttöinen pyörävaunu vaunupyörällä.

Onnittelut ostamastasi Hamax Traveller -lasten monitoimivaunusta. Voit kuljettaa lastasi turvallisella ja mukavalla tavalla käyttämällä Hamax Travellera polkupyörän vetovaununa tai rattaina. Lue ohjeet huolellisesti ennen Hamax Traveller -tuotteen kokoamista tai käyttöä. Toivottamme sinulle ja lapsillesi mukavia yhteisiä retkiä!

Säilytä ohjeet varmassa paikassa myöhempää käyttöä varten.

## Tekniset tiedot

- Katso tekniset tiedot kuvassa [A]
- Mitat kokoon taitettuna (sis. pyöräsuojat): 100 x 74 x 30 cm
- Vetovaunun paino (kokonaan koottu vetovaunu sis. vetovarren): 13 kg
- \*\*Tarkista vetoaisan kuormitus mittaamalla paino polkupyörän vetovarren päässä, kun vetovaunussa on matkustaja ja kuorma. Voit punnita kuormituksen seisomalla vaalla, muista huomioida oma painosi. Seiso vaalla polkupyörän vetovarsi käsissäsi. Varmista, että pidät polkupyörän vetovartta oikealla korkeudella. Vähennä oma painosi ja tuloksena on vetotangan kuorma.

A



### Vetonopeus

Suositusnopeus: 16 km/h / 10 m/h  
Enimmäisnopeus: 24 km/h / 15 m/h



### Vetoaisan kuormitus\*\*

Minimi: 0 kg / 0 lb  
Maksimi: 8 kg / 17,5 lb



### Fyysiset vaatimukset

Vähimmäisikä 6 kuukautta.  
Maksimi: 22 kg  
Enimmäispituus: 117 cm / 3,83 jalkaa



### Painokapasiteetti

Enimmäiskuorma: 47 kg / 105 lb  
Lapsen enimmäispaino: 22 kg / 48,5 lb  
Enimmäispaino sis. vetovaunu: 60 kg / 132 lb

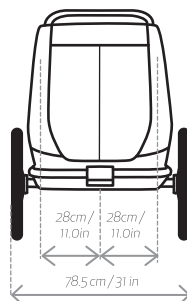
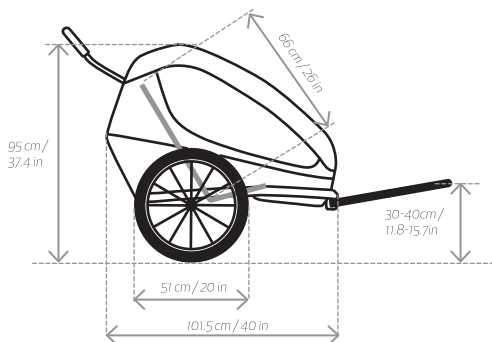


### Matkatavarat

Maksimi: 5 kg / 11 lb



Istumapaikat  
1 tai 2 lapselle



## TURVALLISUUSOHJEET



# VAROITUS

- **Tärkeää** – Lue huolellisesti ja säilytä vastaisuuden varalle.
- Tämä tuote noudattaa lasten polkupyörävaunujen ja rattaiden eurooppalaisia standardeja EN 15918:2011+A2:2017, EN 1888-2:2018
- Tämä ratasistuin ei sovellu alle puolivuotiaille lapsille.
- Istuinyksikkö ei sovellu sellaisten lasten käyttöön, jotka eivät osaa istua ilman apua tai joilla niskän vahvuus ei ole riittävä. Keskustele lastenlääkärin kanssa, jos et ole varma.
- Älä käytä tuotetta lapsilla, jotka painavat yli painorajoituksen.
- Älä koskaan jätä lasta ilman valvontaa.
- Vältä putoamisesta tai pois liukumisesta johtuva vakava loukkaantuminen. Käytä aina turvavaljaita.
- Matkustajilla on aina oltava päässä oikeankokoinen ja hyväksytty kypärä.
- Katso Yhdysvalloissa pyöräilykypäroitä koskevat CPSC-turvallisuusvaatimukset.
- Vetovaunun hinoaminen vaikuttaa polkupyörän vakauteen ja lisää jarrutusmatkaa.
- Vetovaunu on leveämpi kuin polkupyörä. Jätä riittävästi tilaa ja huomioi suurempi kääntösäde.
- Varmista ennen jokaista matkallelähtöä, ettei kiinnitetty vetovaunu haittaa polkupyörän jarruttamista, polkemista tai ohjaamista.
- Älä anna lapsen kehon minkään osan, vaatteiden, kengännauhojen tai lelujen joutua kosketuksiin liikkuvien osien kanssa.
- Älä asenna autonistuinta tai muuta istuinta, jota valmistaja ei ole hyväksynyt.
- Älä tee muutoksia vetovaunuun.
- Älä aja pyörällä yöllä ilman riittävää valaistusta. Noudata kaikkia paikallisia valoja koskevia vaatimuksia.
- CPSC-määräysten (US) mukaisen heijastimen on oltava näkyvissä vetovaunun takana.
- Tarkista rengaspaine ennen käyttöä. Täytä renkaat aina ulkorenkaisissa ilmoitettuun täyttöpaineeseen.
- Älä käytä puhdistuksessa liuottimia. Käytä vain mietoa pesuainetta ja vettä.
- Valmistajan ohjeiden noudattamatta jättäminen voi aiheuttaa matkustajan/kuljettajan vakavan loukkaantumisen tai kuoleman.
- Älä anna lapsen leikkiä tällä tuotteella.
- Tarkasta ennen käyttöä, että kaikki lukituslaitteet on lukittu.
- Varmista, että pysäköintijarru on käytössä, kun laitat lapsen vaunuun ja otat hänet siitä pois.
- Pidä lapsi poissa tuotteen luota, kun tuote taitetaan kasaan tai laitetaan käyttökuuntoon, jotta lapsi ei loukkaannu.
- Tämä tuote ei sovellu työnnettäväksi juosten tai rullaluistellen.
- Älä käytä lisävarusteita, joita valmistaja ei ole hyväksynyt.
- Vain valmistajan, jakelijan toimittamia tai suosittelemia vaihto-osia voi käyttää.
- Ota huomioon sääälle altistumisvaarat, kuten viimaindeksi ja lämpöuupuminen, joko vetovaunun vähemmän aktiivisen matkustajan altistumisesta pitkään kylmälle säälle tai pitkistä jaksoista kuumemmissa lämpötiloissa ilman riittävää ilmastointia ja nesteytystä.
- Käyttötarkoituksen vastainen käyttö voi aiheuttaa vaaratilanteita. Hamax ei ole vastuussa käyttötarkoituksen vastaisen käytön aiheuttamista vahingoista. Kaikki käyttötarkoituksen vastainen käyttö tapahtuu käyttäjän vastuulla.
- Sulje etuluukku, kun käytät pyörän vetovaunua.
- Älä kiinnitä kuormaa työntöaisaan, koska se vaikuttaa vetovaunun vakauteen.
- Älä säilytä matkatavaroita vetovaunun ulko- tai sisäpuolella muualla kuin matkatavaralokerossa, sillä se vaikuttaa haitallisesti vetovaunun vakauteen.
- Älä unohda irrottaa pyörää pyöräilyn aikana

## Pyöräilyturvallisuus

Ennen kuin kiinnität vaunua polkupyöräsi, varmista, että pyöräsi sopii vaunun vetämiseen pyörän valmistajan ohjeen mukaan, ja että sen jarrut toimivat. Vaunun vetämiseen käytettävälle pyörälle suositellaan suorittamaan pätevän polkupyörämekaanikon suorittama turvallisuustarkastus ennen vaunun kiinnitystä. Polkupyörän vetovaunun vetäminen sähköpolkupyörällä saattaa olla kiellettyä lain mukaan.

## Ajotapa

Kun vedät vetovaunua, polkupyörä tuntuu raskaammalta ja vastaa heikommin ohjaukseen lisäpainon vuoksi. Tutustu pyörän muuttuneeseen toimintaan harjoittelemalla ajamista kuormitetulla vetovaunulla hiljaisella alueella ennen vilkkaille julkisille vilkkaille teille matkustajien kanssa siirtymistä.

Huomaa, että vetovaunun painon vuoksi polkupyörän jarrutusmatka on pidempi. Ole varovainen, kun ajat alamäkeen sillä polkupyörän vauhti kiihtyy nopeammin.

Älä ylitä tässä oppaassa määritettyä enimmäisnopeutta ja hidasta kääntyessäsi ja kuoppaisilla teillä. Vältä ajamasta kiven, jalkakäytävän reunuskivien tai muiden esteiden yllä, sillä ne voivat aiheuttaa vetovaunun kaatumisen. Vetovaunun käyttö huonolla säöllä tai tie- ja liikenneolosuhteissa voi aiheuttaa vaarallisia tilanteita. Käytä aina hyvää harkintakykyä arvioidessasi mitkä olosuhteet ovat turvallisia vetovaunun käyttöön.

## Suuri näkyvyys

Parasta mahdollista näkyvyyttä ja liikenneturvallisuutta ajatellen monitoimivaunussa on etuosan (valkoinen), takaosan (punainen) ja pyörän (oranssi) heijastimet. Ulkotekstiilissä on heijastavaa materiaalia olevat tereet. Kun käytät vaunua polkupyörän vetovaununa, sinun on ehkä lisättävä oranssi huomiolippu näkyvyyden parantamiseksi [8]. Käytä mukana toimitettua takavaloa, katso [16].

## Käyttötarkoitukset

- Vetovaunu on tarkoitettu lasten kuljettamiseen tässä oppaassa kuvatulla tavalla julkisilla kevyen liikenteen väylillä, jalkakäytävillä ja tasaisilla poluilla. Hamax katsoo, että vetovaunun käyttö muihin tarkoituksiin on käyttötarkoituksen vastaista. Näitä ovat mm. mutta ei rajoittuen:
  - ajaminen liian suurella nopeudella
  - ajaminen hankalassa maastossa
  - vetovaunun käyttäminen kaupallisiin tarkoituksiin
  - eläinten kuljettaminen
  - matkatavaroiden säilyttäminen vetovaunun ulko- tai sisäpuolella muualla kuin vetovaunun matkatavaralokerossa
  - vetovaunun hinaaminen moottoriajoneuvoilla
  - näiden käyttöohjeiden noudattamatta jättäminen

## ALUKSI – ASENNUS

### [1] Pakkauksen sisältö

- Vetovaunun runko [1x] [1a]
- Pikavapautusratas [2x] [1b]
- Vetovarsi [1x] [1c]
- Huomio lippu [1x] [1d]
- Lastenrattaiden pyörä [1x] [1e]
- Hamax Traveller käyttöohjeet [1x]

### [2] Tuotteen yleiskuvaus

- Työntöaisa [2a]
- Etusuojan tasku [2b]
- Etusuoja [2c]
- Istuinpehmusteet [2d]
- Lastenrattaiden pyörän kiinnitys [2e]
- Pysäköintijarru [2f]
- Pyöräsuoja [2g]
- Polkupyörän vetovarren kiinnitys [2h]
- Työntöaisan vapautuskahva [2i]
- Istuimen selkänoja, takaa [2j]
- Matkatavaratila [2k]

### [3] Vetotangon kiinnittäminen polkupyörään

- Irrota pikavapautin tai mutteri [3a] polkupyöräsi taka-akselin vasemmalta puolelta. Aseta vetotanko [3b] pikavapauttimen tai mutterin ja rungon väliin. Laita pikavapautin tai mutteri takaisin ja kiristä polkupyörän valmistajan ohjeiden mukaan.
- Aseta vetotanko takaosaan kohti. Pidä vetotangon ja polkupyörän vetovarren kohdistus mahdollisimman suorana.

### [4] Kiinnitä pyöräsuojat

- Aseta kaksi pyöräsuojaa [4a] kahteen rungon sivussa olevaan reikään. Kiinnitä ruuvi [4b] rungon pohjan sisäpuolelta. Käytä pyöräsuojien mukana tulevaa kuusiokoloavainta.

### [5] Vetovaunun avaaminen

- Tartu takarunkoon [5a] takana olevan matkatavaratilan sisäpuolelta [2k] ja vedä sitä taaksepäin. Samalla kun teet näin, voit työntää ylärunkoa [5b] eteenpäin.
- Taittavat lukot [6a] lukkiutuvat automaattisesti ja kuulet napsahdavan äänen.



- Varmista, että taittomekanismi on lukittu yrittämällä painaa takarunkoa eteenpäin.
- Liitä työntöaisa [5c] työntöaisan liitäntään [12a], työntöä työntötangon painikkeita [12b] ja työntöä työntöaisaa pidemmälle, kunne se lukkiutuu. Aseta työntöaisa sen yläpuolelle asentoon, kun lähdet pyöräilemään [12c].

#### [6] Vetovaunun taittaminen kokoon

- Poista viirtanko [8a] reikään [8b], joka on työntötangon vieressä. Tarvittaessa avaa matkatavarain säilytyslokeron lipputangan reiän löytämiseksi. Aseta lipputanko vetovaunun tienpuoleiselle sivulle.
- Vedä molempia taittolukkoja [6a] ja työntöä runkoa eteenpäin, kunnes se taittuu.
- Paina ylärunko varovasti alas kokoon taitettuun asentoon ja taittele kangasosat vetovaunun sisään.

#### [7] Pikavapautusrattaiden kiinnittäminen

- Varmista, ettei pysäköintijarru ole käytössä [2f] ja rattaan akseli [7a] on puhdas.
- Pidä painiketta [7b] painettuna ja aseta rattaan akseli istukkaan. Varmista kunnollinen kiinnitys vetämällä rattaasta.

#### [8] Huomioliipun kiinnittäminen

- Aseta viirtanko [8a] reikään [8b], joka on työntötangon vieressä. Tarvittaessa avaa matkatavarain säilytyslokeron lipputangan reiän löytämiseksi. Aseta lipputanko vetovaunun tienpuoleiselle sivulle.

## KÄYTTÖ

#### [9] Lastenrattaiden pyörän käyttäminen

- Kiinnittäminen: Liitä rattaiden pyörän tappi [1e] vaunun etuliitäntään [9a]. Varmista kunnollinen kiinnitys vetämällä lastenrattaan pyörästä.
- Irrottaminen: Paina painiketta [9b] lastenrattaiden pyörän [1e] avaamiseksi ja vedä pyörä ulos etuliitäntästä [9a].
- Työntöässä vaunua rattaana voit säilyttää polkupyörän vetovartta [1c] taka-asennossa polkupyörän varren kiinnikkeeseen [10a] [19]. Älä käytä polkupyörän varren painiketta [10b] tässä asennossa.

#### [10] Polkupyörän vetovarren kiinnittäminen vetovaunuun

- Liu'uta polkupyörän vetovarsi [1c] polkupyörän vetovarren kiinnikkeeseen [10a].
- Työntöä polkupyörän varren painiketta [10b] ja työntöä vartta pidemmälle, kunnes se napsahtaa paikoilleen.
- Aseta lukitustappi [10c] polkupyörän turvallisen liitännän tekemiseksi. Kierrä lukitustappia [10c] taaksepäin ja napsauta se itsensä yli. Varmista kunnollinen liitäntä vetämällä polkupyörän vetovarresta.

#### [11] Polkupyörän vetovarren kiinnittäminen polkupyörään

- Kiinnitä vetotanko ja turvahihna hyvin ennen käyttöä. Varmista, että vetovaunu on kuormittamaton, kun kiinnität sen polkupyörään tai irrotat sen siitä.
- Siirrä polkupyörän vetovarsi vetotankoon [11a]. Aseta kiinnitystappi [11b] polkupyörän vetovarren aukon läpi ja sulje se. Varmista, että polkupyörän vetovarsi on kunnolla kiinnitetty vetämällä polkupyörän vetovarresta. Kääri turvahihna pyörän rungon ympäri ja kiinnitä koukku kolmiolevyyteen [11c].
- Varmista, että laitot turvahihnan polkupyörän rungon ketjutuen [11d] tai istuintuen [11e] ympäri.

**VIHJE:** Kun et käytä polkupyörän vetovartta, voit säilyttää sitä vetovaunussa.

**VIHJE:** Jos turvahihna on liian pitkä, voit kääriä sen kaksi kertaa rungon ympäri, jolla varmistetaan, ettei hihna haittaa mitään takapyörän liikkuvaa osaa.

#### [12] Työntöaisan säätäminen [2a]

- Ota työntöaisa [2a] ulos työntämällä työntötangon lukitustappeja [12b] kummallakin puolella ja vedä työntöaisa ulos.
- Säädä työntöaisaa 180 astetta haluttuun matalaan [12d] tai korkeaan asentoon [12c].
- Liitä työntöaisa [5c] työntötangon liitäntään [12a], työntöä työntötangon painikkeita [12b] ja työntöä työntöaisaa pidemmälle, kunne se lukkiutuu. Aseta työntöaisa sen yläpuolelle asentoon, kun lähdet pyöräilemään [12c].

#### [13] Pysäköintijarrun käyttäminen

- Kytkeminen päälle: Käännä pysäköintijarrun vipua [13a] ylöspäin, kunnes painike [13b] ponnahtaa ulos ja vipu on lukittu. Vetovaunua on ehkä liikuttettava jonkin verran edestakaisin, jotta jarrutappi pyörän vieressä löytää aukkonsa. Varmista vetovaunua työntämällä, että jarru on päällä.
- Vapauttaminen: Työntöä vapautuspainiketta [13b] jalkasi kärjellä ja vipu [13a] kiertyy ylöspäin.

#### [14] Etusuojat ja suojukset

- Travellerissa on 3 etusuoja: muovisuoja [14a], verkkosuoja [14b] ja lisäaurinkosuoja [14d]. Muovisuoja ja verkkosuoja voidaan kiinnittää pohjaan rungon [14c] yläpuolella olevilla koukuilla.
- Kiinnitä aurinkosuoja tarra nauhoilla [14e]: 4 lyhyelle tai 6 koko pituudelle. Lyhennä aurinkosuoja [14d] laskostamalla se ja kiinnittämällä alaosan tarra nauhat yläosan tarra nauhoihin [14f].
- Kun muovisuoja ei ole käytössä, se voidaan laittaa säilytykseen vetovaunun yläosan alla olevaan taskuun. Verkkosuoja [14b] ja aurinkosuoja [14d] voidaan säilyttää muovisuojan [14g] alla. Sulje tasku napeilla, jotta suojukset eivät putoa ajon aikana.

#### [15] 5 pisteen turvavyö

- Laita lapsesi istumaan ja laita kädet olan [15a] ja vyöhihnan [15b] aukon kautta. Tarkista, että olkahihnat ovat lapsesi

olkapäiden kanssa samassa suunnassa. Säädä korkeutta liu'uttamalla solkia [15e] päätuen yläpuolella ylös tai alas.

- Liitä kaksi olkahihnan solkea yhteen ja aseta ne keskellä olevaan solkeen [15c] nivushihnassa [15d] kunnes kuulet napsahduksen. Lyhennä jalkahihnan olkahihnojen pituutta niin, että lapsesi on kunnolla kiinni istuimessa. Varmista, että turvavaljaat on lukittu vetämällä molemmista olkahihnoista.

#### [16] Valojen kiinnittäminen

- Aseta valot vetovaunun tienpuoleiseen sivuun.
- Takana: Liitä punainen valo työntöaisaan [16].

## HUOLTO JA KUNNOSSAPITO

### Tarkista osat ennen vetovaunun käyttöä

- Pyörät on kunnolla kiinni vetovaunussa.
- Renkaat on täytetty määritettyyn rengaspaineeseen
- Vetovaunu on avattu oikein ja mekanismi on lukittu molemmilta puolilta. Älä unohda lukita työntöaisaa.
- Istuimen selkänöja on hyvin kiinnitetty ja kiristetty. Katso kunnossapito-osa.
- Huomiolippu ja valot ovat tarvittaessa paikallaan.
- Kaikkien tärkeiden osien, kuten vetotangon, liitäntälaitteen, rungon, turvavöiden, valaistusvarustuksen, renkaiden, pyörien turvallinen kunto. Varmista säännöllisesti, että pulttikiinnitykset on kiristetty.

### Varastointi

- Traveller-vetovaunu suositellaan säilyttämään sisätiloissa, kuivassa ja hyvin ilmastoidussa tilassa suoralta auringonvalolta suojattuna.

**VIHJE:** Saatavana on Hamax-säilytysuojia parempaa suojausta varten.

### Kunnossapito

- [17] Pysäköintijarru [2f]: Jos jarru ei jarruta molempia pyöriä tai ei vapaudu kokonaan (pyörästä kuuluu naputtava ääni), säädä pysäköintijarrun kaapeleita mutterin säätimillä [18a] kummankin pyörän sivussa vetovaunun alapuolella.
- Traveller-polkupyörän vetovaunussa on vaihdettava suojusosa, joka on kiinnitetty etuaukon yläpuolella olevan taskuun. Liitäntä tapahtuu yläosan kankaan alla olevan taskun sisäpuolen tarranauhalla ja vetovaunun sivussa olevilla nappeilla.
- Lastenrattaiden pyörän liitoskohta [2e]: Lastenrattaiden pyörän liitoskohdan [2e] sisällä on likaa, huuhtele se vedellä.
- Istuinosan selkänöja [2j]: Kiristä mukavaa ja turvallista istumista varten hihat [19] istuinosan selkänöjan takana säännöllisesti. Varmista, että aloitat kiristämisen yläosasta ja jatkat kiristämällä alaosasta.
- Älä käytä puhdistuksessa liu'ottimia. Käytä vain mietoa pesuainetta ja vettä.
- Istuinpehmusteet [2d] voidaan irrottaa vetovaunusta puhdistamista varten. Pese pehmusteet käsin tai pese kylmällä konepesuohjelmalla ja lyhyellä linkouksella.
- Anna vetovaunun kuivaa kokonaan ennen kuin laitat sen säilytykseen, jotta se ei homehdu.
- Jos vetovaunu on mukana onnettomuudessa tai vaurioituu, pyydä jälleenmyyjää tarkistamaan voiko sen käyttöä jatkaa.
- Kaikki tärkeät osat, kuten: vetoaisa, liitäntälaitte, kehys, turvavöt, valaistulaitteet, renkaat ja pyörät jne. Turvallisen kunnan varmistamiseksi; säännöllinen tarkastus, onko ruuviitiokset hyvin kiristetty.

## TAKUU

Hamax Traveller -lasten monitoimivaunu on takuun piirissä ostopäivästä alkaen. Takuujakso vaihtelee maakohtaisesti sovellettävien lakien mukaan. Takuu koskee materiaalia tai valmistusta koskevia vikoja eikä kata väärästä käytöstä, huollon puutteesta, käyttöohjeiden noudattamatta jättämisestä, liiallisesta voiman käytöstä käytönaikana tai normaalista kulumisesta aiheutuneista vahingoista. Takuu on voimassa vain alkuperäiselle ostajalle. Lue käyttöohjeet ja huolto-ohjeet huolellisesti. Olosuhteet, jotka voivat aiheuttaa vaunun ennenaikaisen kulumisen, eivät ehkä kuulu takuun piiriin. Jos vaunu tarvitsee huoltoa tai haluat esittää takuukorjauspyynnön, ota yhteyttä paikalliseen jälleenmyyjään, jolta ostit tuotteen. Tämä tuote ei sovellu juksemiseen tai luisteluun.

## PARISTOJA JA AKKUJA KOSKEVAT YLEISET OHJEET

- Paristoja ei saa ladata.
- Poista akut laitteesta ennen niiden lataamista.
- Eri tyyppisiä akkuja/paristoja tai vanhoja ja uusia akkuja/paristoja ei saa käyttää yhdessä samassa laitteessa.
- Vain saman tai vastaavan tyyppisiä akkuja ja paristoja saa käyttää.
- Varmista, että paristot/akut on asennettu oikein päin.
- Akkujen/paristojen napoja ei saa oikosulkea.
- Poista tyhjit paristot/akut laitteesta.
- Tyhjiä akkuja tai paristoja ei saa ladata, koska ne voivat räjähtää ja vuotaa.

### Tyhjien paristojen ja akkujen hävittämistä koskevat tiedot



Vasemmallalla puolella oleva kuvake, joka on akuissa/paristoissa, pakkauksessa tai liitteenä olevissa asiakirjoissa, kertoo, ettei akkuja/paristoja saa hävittää niiden käyttöön lopussa kotitalousjätteen mukana. Roskakorin alle lisätyt kirjaimet kertovat, että akku tai paristo sisältää lyijyä (Pb), kadmiumia (Cd) tai elohopeaa (Hg). Kuluttajana laki velvoittaa sinut toimittamaan kaikenlaiset akut ja paristot, myös nappiparistot, paikalliseen keräys- tai myyntipisteeseen. Tästä ei veloiteta. Oikeanlainen hävittäminen mahdollistaa arvokkaiden resurssien kierrätyksen ja estää haitalliset vaikutukset ihmisiin ja ympäristöön.

### Vanhoja sähkö- ja elektroniikkalaitteita koskevat tiedot



Vasemmallalla puolella oleva kuvake, joka on akuissa/paristoissa, pakkauksessa tai liitteenä olevissa asiakirjoissa, kertoo, ettei laitetta saa hävittää sen käyttöön lopussa kotitalousjätteen mukana. Kuluttajana sinulla on velvollisuus toimittaa sähkö- ja elektroniikkalaitteet alueesi sähkölaitteiden kierrätyspisteeseen. Tästä ei veloiteta. Poista paristot/akut ennen laitteen hävittämistä. Oikeanlainen hävittäminen mahdollistaa arvokkaiden resurssien kierrätyksen ja estää haitalliset vaikutukset ihmisiin ja ympäristöön. Lisätietoja saat paikallisilta viranomaisilta tai laitteen myyjältä.

# PT Obrigado por escolher o carrinho de bebé multifuncional Traveller da Hamax

Carrinho de bebé multifuncional para bicicleta incluindo roda para carrinho de bebé

Parabéns pela compra do carrinho de bebé multifuncional Traveller da Hamax. Pode transportar a sua criança de modo seguro e confortável utilizando o Traveller da Hamax como reboque para bicicleta e carrinho de bebé. Leia atentamente as instruções antes de montar ou utilizar o Traveller da Hamax. Desejamos a si e às suas crianças muitas viagens agradáveis!

Mantenha estas instruções num local seguro para uso futuro.

## Especificações

- Consulte as especificações na figura [A]
- Dimensões com o reboque dobrado (incl. proteções das rodas): 100 x 74 x 30 cm
- Peso do reboque (reboque totalmente montado incl. braço da bicicleta): 13 kg
- \*\*Para verificar a carga sobre a barra de tração, meça o peso na extremidade do braço da bicicleta com o reboque com passageiros e carga. Pode medir mantendo-se sobre uma balança, lembre-se do seu próprio peso. Mantenha-se sobre a balança com o braço da bicicleta nas suas mãos. Certifique-se de que segura o braço da bicicleta à altura correta. Subtraia o seu próprio peso e o resultado é a carga sobre a barra de tração.

A



### Velocidade de reboque

Velocidade recomendada: 16 km/h  
Velocidade máx.: 24 km/h



### Carga sobre a barra de tração\*\*

Mín.: 0 kg  
Máx.: 8 kg



### Requisitos físicos

Idade mín.: 6 meses. Peso máx 22 kg  
Altura máx. da criança: 117 cm



### Capacidade de carga

Carga máx.: 47 kg  
Peso máx. da criança: 22 kg  
Peso máx. incl. reboque: 60 kg



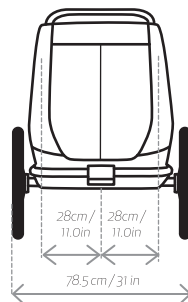
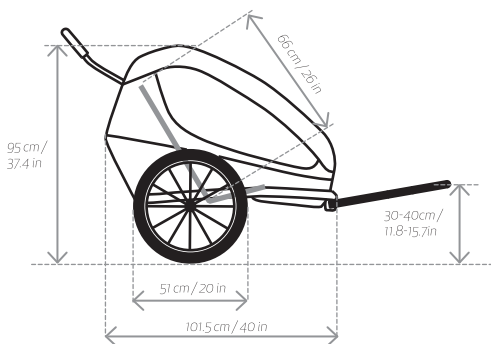
### Bagagens

Máx: 5kg



### Assentos

Para 1 ou 2 crianças



## DIRETRIZES DE SEGURANÇA

# AVISOS

- **Importante** - Leia cuidadosamente e guarde para referência futura.
- Este produto está em conformidade com as normas da UE e dos EUA relativas a reboques para crianças para bicicleta e carrinhos de bebé: EN 15918:2011+A2:2017, EN 1888-2:2018.
- Este assento não é adequado para um bebé com idade inferior a 6 meses.
- Esta unidade de assento não é adequada a crianças que não consigam sentar-se sem assistência ou que não tenham a força cervical necessária. Queira consultar um pediatra se tiver dúvidas.
- Não utilize com crianças que excedam os limites de peso.
- Nunca deixe a criança abandonada.
- Evite ferimentos graves devido a queda ou deslize para fora. Utilize o cinto de segurança sempre que o seu filho estiver no assento.
- Os passageiros devem usar sempre um capacete devidamente colocado e aprovado.
- Nos EUA, consulte a norma de segurança CPSC relativamente a capacetes de bicicleta.
- O reboque de um reboque afeta a estabilidade da bicicleta e aumenta a distância de travagem.
- Este reboque é mais largo do que uma bicicleta. Permita uma folga adicional e tenha em atenção um raio de viragem superior.
- Antes de cada viagem, certifique-se de que o reboque não interfere com a travagem, pedalagem ou condução da bicicleta.
- Não deixe que o corpo da criança ou roupa, atacadores ou brinquedos entrem em contacto com peças móveis.
- Não instale uma cadeira de bebé para veículos ou qualquer outro dispositivo de assento não aprovado pelo fabricante.
- Não efetue quaisquer modificações no reboque.
- Nunca conduza uma bicicleta à noite sem iluminação adequada. Cumpra os todos os requisitos legais locais relativos à iluminação.
- Deve estar visível na parte traseira do reboque um refletor em conformidade com os regulamentos CPSC.
- Verifique a pressão dos pneus antes da utilização. Insufle sempre os pneus até ao nível especificado nos pneus exteriores.
- Não utilize solventes de limpeza. Limpe apenas com sabão suave e água.
- O incumprimento das instruções do fabricante pode levar a ferimentos graves ou morte do passageiro/ciclista.
- Não deixe que o seu filho brinque com este produto.
- Verifique se todos os pontos de encaixe estão bem fixos antes de usar o produto.
- Certifique-se de que o travão de estacionamento está engatado antes de colocar ou retirar as suas crianças.
- Para evitar ferimento assegure-se que o seu filho está afastado, do produto, enquanto o abre e fecha
- Não é conveniente utilizar este produto aquando da realização de patinagem ou corrida.
- Não utilize acessórios não aprovados pelo fabricante.
- Só devem ser utilizadas peças de substituição fornecidas ou recomendadas pelo fabricante/distribuidor.
- Tenha em conta perigos de exposição, tais como arrefecimento pelo vento e exaustão devido ao calor, quer por passageiros do reboque menos ativos com exposição prolongada a baixas temperaturas, quer por períodos alargados sob altas temperaturas sem ventilação ou hidratação adequadas.
- Uma utilização inadvertida poderá levar a situações perigosas. A Hamax não é responsável por quaisquer danos resultantes de uma utilização inadvertida. Qualquer utilização inadvertida ocorre por conta e risco do utilizador.

- Feche a cobertura dianteira ao utilizar o reboque para bicicleta.
- Não fixe qualquer carga à barra de empurrar, uma vez que tal afetará a estabilidade do reboque.
- Não armazene bagagem em áreas dentro ou fora do reboque que não sejam o compartimento de bagagem, uma vez que tal afeta a estabilidade do reboque.

### Segurança da bicicleta

Antes de ligar o reboque à sua bicicleta, certifique-se de que a sua bicicleta é adequada ao reboque de um reboque de acordo com as instruções do fabricante da bicicleta e que os seus travões funcionam bem. Recomenda-se que a bicicleta utilizada para rebocar o reboque seja alvo de uma inspeção de segurança por parte de um mecânico de bicicletas qualificado antes da fixação do reboque. O reboque de um reboque para bicicleta por parte de um EPAC poderá ser limitado por lei.

### Comportamento ao andar de bicicleta

Ao rebocar um reboque, a sua bicicleta comporta-se de modo mais pesado e menos ágil devido ao peso adicional. Familiarize-se com este comportamento praticando com um reboque com carga numa área calma, antes de conduzir com passageiros em ruas públicas movimentadas.

Lembre-se de que a sua bicicleta tem uma distância de travagem superior devido ao peso do reboque. Tenha cuidado ao conduzir em descidas, uma vez que a sua bicicleta acelerará mais depressa.

Não exceda a velocidade máxima especificada neste manual e desacelere ao efetuar curvas e em estradas acidentadas. Evite passar sobre pedras, bermas e outros obstáculos que possam fazer com que o reboque tombe. A utilização do reboque sob condições meteorológicas, da estrada ou de trânsito desfavoráveis, poderá resultar em situações perigosas. Use sempre bom senso ao decidir se as condições são seguras para a utilização do reboque.

### Alta visibilidade

Para uma visibilidade e segurança ótimas no trânsito, o carrinho de bebé multifuncional dispõe de refletores dianteiros (brancos), traseiros (vermelhos) e nas rodas (cor de laranja). O tecido exterior dispõe de tubulação refletora integrada. Ao utilizar o carrinho de bebé como reboque para bicicleta, deve igualmente aplicar a bandeira de segurança cor de laranja para uma melhor visibilidade [8]. Utilize a luz traseira incluída, consulte [16].

### Uso devido

- O reboque destina-se ao transporte de crianças, conforme especificado neste manual, em estradas públicas com trânsito ligeiro, passeios e caminhos não acidentados. A Hamax considera a utilização do reboque de qualquer outra maneira como uso indevido, incluindo, mas não limitado a:
- Condução a uma velocidade excessiva
- Condução sob condições acidentadas de todo-o-terreno
- Utilização do reboque para fins comerciais
- Transporte de animais
- Armazenamento de bagagem em áreas dentro e fora do reboque que não sejam o compartimento de bagagem do reboque
- Reboque do reboque por parte de veículos motorizados
- Incumprimento das instruções deste manual

## INSTALAÇÃO

### [1] Conteúdo da embalagem

- Carroçaria do reboque (1x) [1a]
- Roda de desengate rápido (2x) [1b]
- Braço da bicicleta (1x) [1c]
- Bandeira de segurança (1x) [1d]
- Roda do carrinho de bebé (1x) [1e]
- Manual do utilizador do Hamax Traveller (1x)

### [2] Vista geral do produto

- Barra de empurro [2a]
- Bolsa da cobertura dianteira [2b]
- Cobertura dianteira [2c]
- Estofão do assento [2d]
- Fixação da roda do carrinho de bebé [2e]
- Travão de estacionamento [2f]
- Proteção da roda [2g]
- Fixação do braço da bicicleta [2h]
- Alavanca de libertação da barra de empurro [2i]
- Encosto traseiro do assento [2j]
- Espaço de armazenamento [2k]

### [3] Fixação do engate na sua bicicleta

- Retire o dispositivo de desengate rápido ou a porca [3a] do lado esquerdo do eixo traseiro da bicicleta. Coloque o engate [3b] entre o dispositivo de desengate rápido ou a porca e o quadro. Volte a colocar o dispositivo de desengate rápido ou a porca e aperte de acordo com as instruções do fabricante da bicicleta.
- Aponte o engate para trás. Mantenha o alinhamento/ângulo entre o engate e o braço da bicicleta o mais retilíneo possível

### [4] Monte as proteções da roda

- Coloque as duas proteções da roda [4a] nos 2 furos nas partes laterais do quadro. Aperte o parafuso [4b] a partir do fundo dentro do quadro. Use a chave Allen fornecida com as proteções da roda.

#### [5] Desdobramento do reboque

- Segure o quadro traseiro [5a] dentro do compartimento de armazenamento traseiro [2k] e puxe-o para trás. Ao fazer isto, pode empurrar o quadro superior [5b] para a frente.
- Os bloqueios de dobragem [6a] bloqueiam automaticamente e ouve um estalido.
- Certifique-se de que o mecanismo de dobragem está bloqueado tentando empurrar o quadro traseiro para a frente.
- Insira a barra de empurro [5c] na conexão da barra de empurro [12a], prima os botões da barra de empurro [12b] e pressione a barra de empurro para dentro até bloquear. Coloque a barra de empurro na sua posição mais alta ao andar de bicicleta [12c].

#### [6] Dobragem do reboque

- Retire a barra de empurro enquanto prime os botões [12].
- Puxe ambos os bloqueios de dobragem [6a] e empurre o quadro para a frente até dobrar.
- Empurre suavemente o quadro superior para baixo para a sua posição dobrada e dobre o tecido para dentro do reboque

#### [7] Montagem das rodas de desengate rápido

- Certifique-se de que o travão de estacionamento não está engatado [2f] e que o eixo da roda [7a] está limpo.
- Prima o botão de pressão [7b] e insira o eixo da roda no seu suporte. Certifique-se de que a roda está bem fixada puxando a roda.

#### [8] Montagem da bandeira de segurança

- Coloque o mastro da bandeira [8a] no furo [8b] junto à barra de empurro. Se necessário, abra o compartimento da bagagem para encontrar o furo do mastro da bandeira. Coloque o mastro da bandeira na parte lateral do reboque para bicicleta menos exposto à estrada.

## UTILIZAÇÃO

#### [9] Utilização da roda do carrinho de bebé

- Para fixar: Insira o pino da roda do carrinho de bebé [1e] na conexão dianteira do carrinho de bebé [9a]. Puxe a roda do carrinho de bebé para se certificar de uma conexão segura.
- Para retirar: Prima o botão [9b] para desbloquear e puxe a roda do carrinho de bebé [1e] para fora da conexão dianteira [9a].
- Ao empurrar o carrinho de bebé, pode guardar o braço da bicicleta [1c] numa posição para trás, para dentro da fixação do braço da bicicleta [10a] [19]. Não use o botão do braço da bicicleta [10b] nesta posição.

#### [10] Fixação do braço da bicicleta ao reboque

- Deslize o braço da bicicleta [1c] para dentro da fixação do braço da bicicleta [10a].
- Prima o botão do braço da bicicleta [10b] e empurre o braço para dentro até bloquear.
- Insira o pino de bloqueio [10c] para efetuar uma conexão segura. Gire o gancho do pino de bloqueio [10c] para trás e dobre-o sobre si mesmo. Puxe o braço da bicicleta para se certificar de uma boa conexão.

#### [11] Fixação do braço da bicicleta à bicicleta

- Fixe a barra de tração e a correia de segurança de modo seguro antes da utilização. Certifique-se de que o reboque não tem carga ao fixar e desligar o mesmo à/da sua bicicleta.
- Deslize o braço da bicicleta para cima do engate [11a]. Insira o pino de retenção [11b] através do furo no braço da bicicleta e feche-o. Certifique-se de que o braço da bicicleta está fixado de modo seguro puxando-o. Enrole a correia de segurança à volta do quadro da bicicleta e fixe o gancho à placa triangular [11c].
- Certifique-se de que coloca a correia de segurança à volta do tubo da corrente [11d] ou do tubo do selim [11e] do quadro da sua bicicleta.

**DICA:** Se não utilizar o braço da bicicleta, pode guarda-lo no reboque

**DICA:** Se a correia de segurança for demasiado comprida, pode enrolar a mesma duas vezes, para assegurar que a correia não interfere com qualquer peça móvel da roda traseira.

#### [12] Ajuste da barra de empurro [2a]

- Retire a barra de empurro [2a] pressionando os pinos de bloqueio da barra de empurro [12b] em ambos os lados e puxando a barra de empurro para fora.
- Ajuste a barra de empurro em 180 graus para a posição inferior [12d] ou superior [12c] desejada.
- Insira a barra de empurro [5c] na conexão da barra de empurro [12a], prima os botões da barra de empurro [12b] e pressione a barra de empurro para dentro até bloquear. Coloque a barra de empurro na sua posição mais alta ao andar de bicicleta [12c].

#### [13] Utilização do travão de estacionamento

- Para engatar: Pressione a alavanca do travão de mão [13a] para baixo até que o botão [13b] salte para fora e a alavanca esteja bloqueada. Poderá ter de deslocar o reboque ligeiramente para a frente e para trás para que o pino do travão junto à roda encontre o seu furo. Certifique-se sempre de que o travão está engatado tentando empurrar o reboque.
- Para desengatar: Pressione o botão de desengate [13b] com a ponta do pé e a alavanca [13a] gira para cima.

#### [14] Coberturas dianteiras e para-sol

- O Traveller dispõe de 3 coberturas dianteiras: uma cobertura de plástico [14a], uma cobertura de malha [14b] e um para-sol

adicional [14d]. As coberturas de plástico e de malha podem ser fixadas no fundo com os ganchos imediatamente acima do quadro [14c].

- Utilize as peças de velcro para fixar o para-sol [14e]: 4 para curto ou 6 para o comprimento máximo. Para reduzir o comprimento do para-sol [14d], dobre-o e fixe as peças de velcro inferiores às peças de velcro superiores [14f].
- Quando não em uso, as coberturas podem ser guardadas na bolsa [14g]. Feche a bolsa utilizando os botões, para evitar que as coberturas caiam para fora durante a viagem.

#### [15] Cinto de segurança de 5 pontos

- Sente a sua criança e guie os seus braços através da abertura entre a precinta diagonal [15a] e a precinta horizontal [15b]. Certifique-se de que as precintas diagonais estão alinhadas com os ombros da sua criança. Ajuste a altura deslizando os fechos [15e] por cima do apoio da cabeça para cima ou para baixo.
- Ligue os dois fechos das precintas diagonais uma à outra e insira-as no fecho central [15c] na precinta de entrepernas [15d] até que sinta encaixar. Reduza o comprimento da precinta de entrepernas e das precintas diagonais de modo a que a sua criança se encontre fixada de modo seguro. Certifique-se de que o cinto de segurança está bloqueado puxando ambas as precintas diagonais.

#### [16] Montagem das luzes

- Coloque as luzes no lado do reboque mais exposto ao trânsito.
- Atrás: Fixe a luz vermelha à barra de empurro [16]. Coloque-a no lado mais exposto ao trânsito.

## CONSERVAÇÃO E MANUTENÇÃO

#### Antes de utilizar o reboque, verifique o seguinte

- As rodas estão corretamente fixadas ao reboque.
- Os pneus estão insuflados com a pressão especificada
- O reboque está totalmente desdobrado e o mecanismo está bloqueado em ambos os lados. Não se esqueça de bloquear a barra de empurro.
- O encosto do assento está bem fixado e apertado. Consulte a secção de manutenção.
- A bandeira e luzes de segurança estão montadas, se necessário.

#### Armazenamento

- Recomenda-se vivamente o armazenamento do reboque Traveller num recinto fechado, numa área seca e bem ventilada e não exposta à luz solar direta.

**DICA:** Encontra-se disponível uma cobertura de armazenamento da Hamax para uma melhor proteção.

#### Manutenção

- [17] Travão de estacionamento [2f]: Se o travão não engatar em ambas as rodas ou não desengatar totalmente (a roda emite um som de tique-taque), deve ajustar os cabos do travão de estacionamento utilizando as porcas de ajuste [18a] em cada lado da roda por baixo do reboque.
- O reboque para bicicleta Traveller dispõe de uma cobertura dianteira substituível, que é fixada com velcro ao bolso por cima da abertura dianteira.
- Conexão da roda do carrinho de bebé [2e], se existir sujidade dentro da conexão da roda do carrinho de bebé [2e], lave-a com água.
- Encosto base do assento [2j]: Para um assento confortável e seguro, aperte regularmente as correias [18] na traseira do encosto do assento. Certifique-se de que começa o aperto no topo e continua apertando no fundo.
- Não utilize solventes de limpeza. Limpe apenas com sabão suave e água.
- O estofo do assento [2d] pode ser removido do reboque para efeitos de limpeza. Lave o assento à mão ou utilizando um ciclo de rotação breve da máquina de lavar com água fria.
- Deixe o reboque secar totalmente antes de o guardar, para evitar a formação de bolor.
- Se o reboque tiver estado envolvido num acidente ou se apresentar danos, peça ao seu fornecedor para verificar se ainda pode ser utilizado.
- Todos os componentes importantes, tais como a barra de tração, o dispositivo de conexão, o quadro, os cintos de segurança, a iluminação, os pneus e as rodas, etc., devem ser verificados quanto a um estado seguro e deve-se efetuar uma verificação regular do aperto firme das conexões de parafusos.

## GARANTIA

O carrinho para bebé multifuncional Traveller da Hamax dispõe de uma garantia a partir da data de compra. O período de O carrinho para bebé multifuncional Traveller da Hamax dispõe de uma garantia a partir da data de compra. O período de garantia depende da legislação do país em questão. A garantia é válida para defeitos de materiais ou de fabricação e não abrange danos resultantes de uma utilização indevida, da falta de manutenção, do incumprimento do manual do utilizador, do uso de força e do desgaste normal. A garantia é válida apenas para o utilizador original. Leia atentamente as recomendações de utilização e manutenção. Condições que possam causar um desgaste prematuro do carrinho de bebé poderão não estar abrangidas pela garantia. Se for necessário prestar assistência ao carrinho de bebé ou se desejar efetuar uma reivindicação de garantia, queira entrar em contacto com o seu fornecedor local ao qual comprou o seu carrinho de bebé.



## INSTRUÇÕES GERAIS PARA PILHAS

- As pilhas não recarregáveis não podem ser carregadas.
- Retire as pilhas recarregáveis do artigo antes de as carregar.
- Não se deve utilizar diferentes tipos de pilhas no mesmo artigo, nem misturar pilhas novas e antigas.
- Apenas se deve utilizar pilhas do mesmo tipo ou de tipo equivalente ao especificado.
- Certifique-se de que as pilhas são inseridas com a polaridade correta.
- Os terminais de alimentação não devem entrar em curto-circuito.
- Retire as pilhas gastas do artigo.
- Não é permitido queimar pilhas gastas, uma vez que podem verter ou explodir.

### Informações sobre a eliminação de pilhas gastas



O símbolo ilustrado no lado esquerdo das pilhas, na embalagem ou nos documentos incluídos significa que as pilhas não devem ser eliminadas no fim da vida útil juntamente com o lixo doméstico. As outras letras que podem eventualmente constar por baixo do símbolo do caixote do lixo significam que a pilha contém chumbo (Pb), cádmio (Cd) ou mercúrio (Hg). Enquanto consumidor, é obrigado por lei a entregar todo o tipo de pilhas (recarregáveis e não recarregáveis), incluindo pilhas tipo botão, nos locais de recolha apropriados ou no comércio retalhista. Isto não acarreta quaisquer custos. A eliminação correta das pilhas permite efetuar a reciclagem de recursos valiosos e evita possíveis efeitos negativos para os humanos e para o ambiente.

### Informações sobre a eliminação de produtos elétricos e eletrónicos antigos



O símbolo ilustrado no produto, na embalagem ou nos documentos incluídos significa que o produto não deve ser eliminado após o fim da vida útil juntamente com o lixo doméstico. Enquanto consumidor, é obrigado por lei a entregar os produtos elétricos e eletrónicos no devido local de recolha de equipamentos eletrónicos. Isto não acarreta quaisquer custos. Retire as pilhas antes de eliminar o produto. A eliminação correta das pilhas permite efetuar a reciclagem de recursos valiosos e evita possíveis efeitos negativos para os humanos e para o ambiente. Para obter mais informações, contacte a autoridade local ou o fornecedor do produto.

# IT Grazie per aver scelto la carrozzina per bambini multifunzionale Traveller di Hamax

Rimorchio portabambini per bicicletta multifunzione comprensivo di ruota del passeggerino.

Congratulations per avere acquistato la carrozzina per bambini multifunzionale Traveller di Hamax. Puoi trasportare tuo figlio in modo sicuro e confortevole usando Traveller di Hamax come rimorchio per la bicicletta e come passeggerino. Leggere attentamente le istruzioni prima di procedere al montaggio o all'uso di Traveller di Hamax. Auguriamo a te e ai tuoi bambini molti splendidi viaggi!

Custodisci queste istruzioni in un luogo sicuro per futuri riferimenti.

## Specifiche

- Vedere le specifiche nell'immagine [A]
- Dimensioni piegato (incl. copriruote): 100 x 74 x 30 cm
- Peso del rimorchio (rimorchio completamente assemblato incl. braccio della bicicletta): 13 kg
- \*\*Per verificare il carico della barra di traino, misurare il peso all'estremità del braccio della bicicletta mentre il rimorchio ha passeggero e carico a bordo. È possibile effettuare la misurazione salendo su una bilancia, tenendo a mente il proprio peso. Salire sulla bilancia tenendo il braccio della bicicletta nelle mani. Assicurarsi di tenere il braccio della bicicletta alla giusta altezza. Sottrarre il proprio peso: il risultato sarà il carico della barra di traino.

A



### Velocità con rimorchio

Velocità consigliata: 16km/h / 10mph  
Velocità massima: 24km/h / 15mph



### Carico barra di traino\*\*

Min: 0kg / 0lb  
Max: 8kg / 17,5lb



### Requisiti fisici

Età minima: 6 mesi. Massimo: 22kg  
Altezza massima del bambino:  
117cm / 3,83ft



### Capacità di carico

Carico massimo: 47kg / 105lb  
Peso massimo del bambino: 22kg / 48,5lb  
Peso massimo incl. rimorchio: 60kg / 132lb



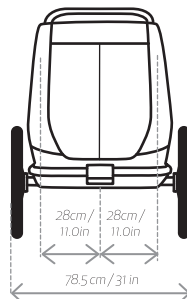
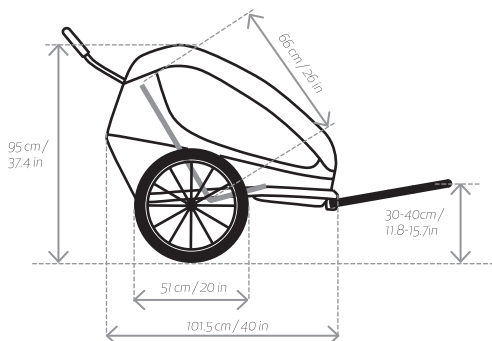
### Lugage

Massimo: 5kg / 11 lb



### Sedute

Per 1 o 2 bambini



# AVVERTENZE

- **Importante** – Leggere attentamente e conservare per futuro riferimento.
- Questo prodotto è conforme agli standard europei e americani per i rimorchi portabambini per bicicletta e per i passeggini: EN 15918:2011+A2:2017, EN 1888-2:2018
- Questa seduta non è adatta per bambini di età inferiore a 6 mesi.
- Questa seduta non è adatta per bambini che non possono rimanere seduti senza assistenza o che non hanno sufficiente stabilità nel collo. In caso di dubbi verificarlo con il pediatra.
- Non utilizzare con bambini che superano i limiti di peso.
- Non lasciare mai il bambino incustodito.
- Evitare lesioni gravi da caduta o scivolamento all'esterno. Utilizzare sempre il sistema di ritenuta.
- I passeggeri devono sempre indossare un casco omologato e adeguatamente indossato.
- Negli Stati Uniti fare riferimento agli Standard di sicurezza CPSC per i caschi da bicicletta.
- Trainare un rimorchio influenzerà la stabilità della bicicletta e aumenterà la distanza di frenata.
- Questo rimorchio è più ampio di una bicicletta. Valutare la presenza di un adeguato spazio di manovra in più e ricordarsi che il raggio di sterzata è più ampio.
- Prima di ogni utilizzo, assicurarsi che il rimorchio agganciato non interferisca con frenate, pedalate o sterzate della bicicletta.
- Non permettere al corpo del bambino o a indumenti, lacci o giocattoli di venire a contatto con le parti in movimento.
- Non installare un seggiolino per auto o qualunque altro tipo di seduta non approvata dal produttore.
- Non effettuare modifiche al rimorchio.
- Non utilizzare mai la bicicletta di notte senza un'illuminazione adeguata. Rispettare tutti i requisiti locali di legge per quanto riguarda l'illuminazione.
- Sul lato posteriore del rimorchio deve essere visibile un catarifrangente conforme ai regolamenti CPSC.
- Controllare la pressione delle gomme prima dell'uso. Gonfiare sempre le gomme al livello specificato sulla parte esterna delle gomme.
- Non utilizzare solventi per la pulizia. Pulire solo con sapone neutro e acqua.
- Non rispettare le istruzioni del produttore può portare a lesioni gravi o morte del ciclista/passeggero.
- Non permettere ai bambini di giocare con questo prodotto.
- Prima dell'uso assicurarsi che tutti i meccanismi di bloccaggio siano correttamente agganciati.
- Assicurarsi che il freno di stazionamento sia innestato durante carico e scarico dei propri bambini.
- Per evitare lesioni o ferimenti assicurarsi che il bambino sia a debita distanza durante le perazioni di apertura e chiusura del prodotto.
- Questo prodotto non è adatto per correre o pattinare.
- Non utilizzare accessori non approvati dal produttore.
- Devono essere usati solo pezzi di ricambio forniti o raccomandati dal produttore/distributore.
- È necessario essere consapevoli dei pericoli legati all'esposizione agli elementi come wind-chill (raffreddamento da vento) e colpi di calore, così come quelli che corrono i passeggeri meno attivi del rimorchio a causa di esposizione prolungata a basse temperature, o di esposizione prolungata ad alte temperature senza adeguata areazione o idratazione.
- Un uso non conforme può portare a situazioni pericolose. Hamax non si ritiene responsabile per qualunque danno causato da un uso non conforme. Qualunque uso non conforme è rischio e pericolo dell'utente.
- Chiudere la copertura anteriore durante l'uso del rimorchio per bicicletta.
- Non aggiungere alcun carico alla barra di controllo in quanto influenzerà la stabilità del rimorchio.

- Non riporre bagagli all'interno o all'esterno del rimorchio che non siano l'alloggiamento per i bagagli, in quanto influenzerebbero la stabilità del rimorchio stesso.

### Sicurezza relativa alla bicicletta

Prima di agganciare il rimorchio alla bicicletta, assicurarsi che quest'ultima sia adatta per trainare un rimorchio, secondo le istruzioni del produttore della bicicletta, e che sia dotata di freni ben funzionanti. Raccomandiamo di far fare un controllo di sicurezza alla bicicletta da un meccanico qualificato prima di agganciare il rimorchio. I rimorchi trainati da una EPAC (bicicletta a pedalata assistita) potrebbero essere limitati dalla legge.

### Comportamento alla guida

Quando si traina un rimorchio, la tua bicicletta risulta più pesante e meno reattiva a causa del peso aggiuntivo. Prendi familiarità con il comportamento di bicicletta e rimorchio facendo pratica, col rimorchio carico, in un'area tranquilla prima di entrare in strade pubbliche affollate con passeggeri a bordo.

Ricorda che, a causa del peso del rimorchio, la tua bicicletta ha uno spazio di frenata più lungo. Fai attenzione quando sei in discesa, in quanto la bicicletta prenderà velocità più rapidamente.

Non superare la velocità massima specificata in questo manuale e rallenta quando devi sterzare o su strade sconnesse. Evita di passare sopra rocce, marciapiedi o altri ostacoli che potrebbero provocare il ribaltamento del rimorchio. Usare il rimorchio in condizioni meteo, stradali o di traffico non ottimali può portare a situazioni non sicure. Usa sempre il buon senso quando si tratta di decidere se le condizioni sono adatte all'uso del rimorchio.

### Elevata visibilità

Per ottenere un livello di visibilità e sicurezza ottimali nel traffico, il trasportino multifunzione ha catarifrangenti anteriori (bianco), posteriori (rosso) e nelle ruote (arancioni). I tubi catarifrangenti sono integrati nella struttura esterna. Quando si utilizza il trasportino come rimorchio per bicicletta, è necessario aggiungere la bandiera arancione di sicurezza per migliorare la visibilità [8]. Utilizzare il fanalino posteriore in dotazione, vedere [16].

### Uso previsto

- Il rimorchio è progettato per il trasporto di bambini, come specificato in questo manuale, su strade pubbliche con semafori, marciapiedi e pavimentazione regolare. Hamax considera l'utilizzo del rimorchio in qualunque altro modo come uso non conforme, inclusi ma non limitati a:
- viaggiare a velocità eccessive
- viaggiare fuori strada in presenza di pavimentazione irregolare
- utilizzare il rimorchio per scopi commerciale
- trasportare animali
- riporre bagagli all'interno o all'esterno del rimorchio al di fuori dello scomparto bagagli del rimorchio
- far trainare il rimorchio da veicoli motorizzati
- non rispettare le istruzioni presenti in questo manuale

## INDICAZIONI PER INIZIARE - INSTALLAZIONE

### [1] Contenuto della confezione

- Struttura del rimorchio (1x) [1a]
- Sgancio rapido ruota (2x) [1b]
- Braccio della bicicletta (1x) [1c]
- Bandierina di sicurezza (1x) [1d]
- Ruota del passeggino (1x) [1e]
- Manuale d'uso di Traveller di Hamax (1x)

### [2] Panoramica del prodotto

- Barra di controllo [2a]
- Tasca della copertura anteriore [2b]
- Copertura anteriore [2c]
- Imbottiture della seduta [2d]
- Attacco ruota del passeggino [2e]
- Freno di stazionamento [2f]
- Copriruote [2g]
- Attacco braccio della bicicletta [2h]
- Maniglia di rilascio della barra di controllo [2i]
- Schienale posteriore della seduta [2j]
- Spazio per i bagagli [2k]

### [3] Agganciare il gancio di traino alla bicicletta

- Rimuovere lo sgancio rapido o il dado [3a] dal lato sinistro dell'asse della ruota posteriore della bici. Posizionare il gancio di traino [3b] tra lo sgancio rapido o il dado e il telaio. Riposizionare lo sgancio rapido o il dado e stringere in base a quanto indicato nelle istruzioni del produttore della bicicletta.
- Puntare il gancio di traino all'indietro. Mantenere l'allineamento / angolazione tra il gancio di traino e il braccio della bicicletta più dritto possibile.

### [4] Montare i copriruote

- Posizionare i due copriruote [4a] nei 2 fori sul lato del telaio. Stringere la vite [4b] dalla parte inferiore all'interno del telaio. Utilizzare la brugola fornita con i copriruote.

#### [5] Apertura del rimorchio

- Afferrare la parte posteriore del telaio [5a] dall'interno del compartimento per i bagagli posteriore [2k] e tirare all'indietro. Nel fare questo si può spingere la parte superiore del telaio [5b] in avanti.
- Le chiusure pieghevoli [6a] si bloccheranno automaticamente e si sentirà un clic.
- Verificare che il meccanismo di chiusura sia bloccato provando a tirare la parte posteriore del telaio in avanti.
- Inserire la barra di controllo [5c] nel giunto della barra di controllo [12a], premere i pulsanti della barra [12b] e spingerla dentro fino a che non si blocca. Posizionare la barra di controllo nella posizione più alta mentre si pedala [12c].

#### [6] Ripiegare il rimorchio

- Rimuovere la barra di controllo tenendo premuti i bottoni [12].
- Tirare entrambe le chiusure pieghevoli [6a] e spingere in avanti il telaio fino a quando non si chiude.
- Spingere delicatamente la parte superiore del telaio verso la posizione richiusa e piegare il tessuto all'interno del rimorchio.

#### [7] Montare le ruote con sgancio rapido

- Assicurarsi che il freno di stazionamento non sia innestato [2f] e che l'asse della ruota [7a] sia libero.
- Premere il pulsante [7b] e inserire l'asse della ruota nel suo alloggiamento. Verificare che la ruota sia saldamente fissata tirandola.

#### [8] Montare la bandierina di sicurezza

- Posizionare il palo della bandierina [8a] nel foro [8b] accanto alla barra di controllo. Se necessario aprire l'alloggiamento dei bagagli per trovare il foro del palo della bandierina. Inserire il palo della bandierina sul lato del rimorchio più vicino alla strada.

## UTILIZZO

#### [9] Usare la ruota del passeggero

- Per agganciarla: Inserire il perno della ruota del passeggero [1e] nel giunto anteriore del passeggero [9a]. Tirare la ruota del passeggero per verificare che sia ben fissata.
- Per rimuoverla: Premere il pulsante [9b] per sbloccare la ruota del passeggero e tirarla [1e] fuori dal giunto anteriore [9a].
- Durante l'uso come passeggero è possibile riporre il braccio della bicicletta [1c] all'indietro all'interno dell'attacco del braccio della bicicletta [10a] [19]. Non usare il pulsante del braccio della bicicletta [10b] in questa posizione.

#### [10] Collegare il braccio della bicicletta al rimorchio

- Far scorrere il braccio della bicicletta [1c] all'interno dell'attacco del braccio della bicicletta [10a].
- Premere il pulsante del braccio della bicicletta [10b] e spingere il braccio in avanti fino a che non si fissa.
- Inserire il perno di blocco [10c] per assicurare il fissaggio. Ruotare il gancio del perno di blocco [10c] all'indietro e agganciarlo a se stesso. Tirare il braccio della bicicletta per verificare che sia ben fissato.

#### [11] Attaccare il braccio della bicicletta alla bicicletta

- Fissare saldamente la barra di traino e la fascia a strappo di sicurezza prima dell'uso. Assicurarsi che il rimorchio sia vuoto durante le operazioni di aggancio/sgancio alla/dalla bicicletta.
- Far scorrere il braccio della bicicletta sul gancio [11a]. Inserire il perno [11b] attraverso il foro nel braccio della bicicletta e chiuderlo. Verificare che il braccio della bicicletta sia ben fissato tirandolo. Avvolgere saldamente la fascia intorno al telaio della bicicletta e fissare il gancio alla piastra triangolare [11c].
- Assicurarsi di aver messo la fascia di sicurezza intorno all'alloggiamento della catena [11d] o del sellino [11e] del telaio.
- Varmista, että laitot turvahihnan polkupyörän rungon ketjutuen [11d] tai istuintuen [11e] ympäri.

**CONSIGLIO:** Se non stai usando il braccio della bicicletta puoi riporlo nel rimorchio

**TIP:** Se la fascia di sicurezza è troppo lunga puoi arrotolarla due volte intorno al telaio per assicurarti che non interferisca con le parti in movimento della ruota posteriore.

#### [12] Regolare la barra di controllo [2a]

- Estrarre la barra di controllo [2a] premendo i perni di bloccaggio della barra [12b] su ciascun lato ed estraendola.
- Regolare di 180° la barra di controllo verso la posizione bassa [12d] o alta desiderata [12c].
- Inserire la barra di controllo [5c] nel giunto della barra di controllo [12a], premere i pulsanti della barra [12b] e spingerla dentro fino a che non si blocca. Posizionare la barra di controllo nella posizione più alta mentre si pedala [12c].

#### [13] Uso del freno di stazionamento

- Per innestarlo: Spingere la leva del freno di stazionamento [13a] verso il basso fino a quando il pulsante [13b] non esce e la leva risulta bloccata. Potrebbe essere necessario muovere il rimorchio avanti e indietro leggermente per fare in modo che il perno del freno vicino alla ruota trovi il suo foro. Assicurarsi sempre di verificare se il freno è innestato spingendo il rimorchio.
- Per sganciarlo: Premere il pulsante di rilascio [13b] con la punta del piede e la leva [13a] ruota verso l'alto.

#### [14] Coperture anteriori e parasole

- Il rimorchio Traveller ha 3 coperture anteriori: una in plastica, [14a], una in maglia [14b] e un parasole aggiuntivo [14d]. La copertura in plastica e quella in maglia possono essere fissate al fondo utilizzando i ganci giusto sopra il telaio [14c].
- Per fissare il parasole utilizzare le strisce in velcro [14e]: 4 per la versione corta, 6 per quella completa. Per accorciare il

parasole [14d], piegarlo e fissare le strisce in velcro inferiori a quelle superiori [14f].

- Quando non vengono utilizzate le coperture possono essere riposte nella tasca apposita [14g]. Chiudere la tasca utilizzando i bottoni per impedire che le coperture cadano durante il movimento.

#### [15] Imbracatura di sicurezza a 5 punti

- Far sedere il bambino e far passare le braccia nell'apertura tra la cintura delle spalle [15a] e quella del bacino [15b]. Verificare che le fibbie delle spalle siano allineate con le spalle del bambino. Regolare l'altezza facendo scorrere le fibbie [15e] sopra il poggiatesta verso l'alto o verso il basso.
- Collegare le due fibbie delle spalle e inserirle nella fibbia centrale [15c] presente nella fibbia inguinale [15d] fino a sentire lo scatto. Ridurre la lunghezza della fibbia inguinale e delle cinture delle spalle, in modo tale che il bambino sia agganciato saldamente. Verificare che l'imbracatura sia bloccata tirando entrambe le cinture sulle spalle.

#### [16] Montaggio delle luci

- Posizionare le luci sul lato del rimorchio più esposto alla strada.
- Posteriore: Attaccare la luce rossa alla barra di controllo [16]. Posizionarla sul lato più esposto al traffico.

## CURA E MANUTENZIONE

### Verificare prima dell'utilizzo del rimorchio che

- Le ruote siano saldamente fissate al rimorchio.
- Le gomme siano gonfiate in base alla pressione specificata
- Il rimorchio sia completamente aperto e il meccanismo sia bloccato su entrambi i lati. Non dimenticare di bloccare la barra di controllo.
- L'appoggio posteriore del sedile sia ben fissato e stretto. Per maggiori informazioni vedere la sezione manutenzione.
- La bandierina di sicurezza e le luci siano nelle posizioni richieste.

### Conservazione

- Si raccomanda di conservare il rimorchio Traveller al chiuso, in un luogo asciutto e ben ventilato lontano dalla luce solare diretta.

**CONSIGLIO:** Per una maggiore protezione è disponibile una copertura protettiva Hamax.

### Manutenzione

- [17] Freno di stazionamento [2f]: Se il freno non si innesta su entrambe le ruote o non si disinnesta completamente (in questo caso la ruota emette un ticchettio), è necessario regolare i cavi del freno di stazionamento utilizzando i dadi di regolazione [18a] su ogni lato della ruota sotto il rimorchio.
- Il rimorchio per bicicletta Traveller dispone di una copertura anteriore sostituibile che è fissata con velcro nella tasca sopra l'apertura frontale.
- Collegamento della ruota del passeggino [2e], in presenza di sporco all'interno del collegamento della ruota del passeggino [2e], sciacquarlo via con acqua.
- Schienale della base del sedile [2j]: Per una seduta confortevole e sicura, stringere regolarmente le cinghie [18] sul retro dello schienale del sedile. Assicurarsi di iniziare a stringerlo dall'alto e di proseguire stringendolo dal basso.
- Non utilizzare solventi per la pulizia. Pulire solo con sapone neutro e acqua.
- Le imbottiture dei sedili [2d] possono essere rimosse dal rimorchio per scopi di pulizia. Lavare le sedute a mano o in lavatrice eseguendo un lavaggio a freddo con un breve ciclo di centrifuga.
- Lasciar asciugare completamente il rimorchio prima di riporlo per evitare la formazione di muffa.
- Nel caso in cui il rimorchio sia coinvolto in un incidente o sia danneggiato, contattare il proprio rivenditore per verificare se è possibile un ulteriore utilizzo.
- Per garantire condizioni di sicurezza, controllo di tutti i componenti importanti quali: barra di traino, dispositivo di collegamento, telaio, cinture di sicurezza, apparecchi per l'illuminazione, pneumatici, ruote, ecc.; verifica periodica del corretto serraggio dei bulloni.

## GARANZIA

La carrozzina per bambini multifunzionale Hamax Traveller è coperta da garanzia a partire dalla data di acquisto. Il periodo di garanzia dipende dalla normativa del Paese in questione. La garanzia si applica su difetti dei materiali o di lavorazione e non copre i danni dovuti a uso improprio, mancanza di manutenzione, inosservanza del manuale utente, uso di forza o normale logoramento. La garanzia è valida solo per l'utente originale. Si prega di leggere attentamente le raccomandazioni per l'uso e la manutenzione. Condizioni che rischiano di causare un'usura prematura della carrozzina potrebbero non essere coperte dalla garanzia. Se la carrozzina richiede assistenza o se si desidera presentare un reclamo in garanzia, si prega di contattare il proprio rivenditore locale presso cui è stata acquistata la carrozzina.

## **ISTRUZIONI GENERALI PER IL SMALTIMENTO DELLE BATTERIE**

- Non ricaricare le batterie non ricaricabili.
- Rimuovere le batterie ricaricabili dall'articolo prima di ricaricarle.
- Non utilizzare insieme nello stesso articolo batterie di tipo diverso o batterie nuove e batterie vecchie.
- Utilizzare solo batterie dello stesso tipo o di tipo equivalente come specificato.
- Assicurarsi che le batterie siano inserite con la giusta polarità.
- Non cortocircuitare i terminali di alimentazione.
- Rimuovere dall'articolo le batterie scariche.
- Non è consentito bruciare le batterie scariche poiché possono esplodere o avere perdite.

### **Informazioni relative allo smaltimento delle batterie esaurite**



Il simbolo riportato sul lato sinistro delle batterie, l'imballaggio o i documenti allegati significa che al termine del loro ciclo di vita le batterie non vanno smaltite insieme ai rifiuti domestici. Altre lettere che possono essere presenti sotto il cestino indicano che la batteria contiene piombo (Pb), cadmio (Cd) o mercurio (Hg). Il consumatore è obbligato ai sensi della legge a portare tutti i tipi di batterie (sia ricaricabili sia non ricaricabili), comprese le batterie a bottone, presso i centri di raccolta locali o i rivenditori. Questo non ha costi. Uno smaltimento corretto consente di riciclare risorse preziose e di evitare impatti negativi sulle persone e l'ambiente.

### **Informazioni relative allo smaltimento di prodotti elettrici ed elettronici usati**



Il simbolo riportato sul prodotto, l'imballaggio o i documenti allegati significa che al termine del suo ciclo di vita il prodotto non va smaltito insieme ai rifiuti domestici. Il consumatore è obbligato ai sensi della legge a portare i prodotti elettrici ed elettronici presso un centro di raccolta per apparecchiature elettroniche locale. Questo non ha costi. Rimuovere le batterie prima di smaltire il prodotto. Uno smaltimento corretto consente di riciclare risorse preziose e di evitare impatti negativi sulle persone e l'ambiente. Per ulteriori informazioni, contattare le autorità locali o il fornitore del prodotto.

# BG Благодарим ви, че избрахте многофункционалната детска количка Namax Traveller

Многофункционална детска количка за колело, включително колелото за количката.

Поздравления за покупката на многофункционалната детска количка Namax Traveller. Можете да транспортирате вашето дете безопасно и комфортно като използвате Namax Traveller като ремарке за колело и детска количка. Моля, прочетете внимателно инструкциите преди да сглобите или използвате Namax Traveller. Желаем на вас и вашето дете много приятни пътувания!

Съхранявайте тези инструкции на безопасно място за по-късна употреба..

## Спецификации

- Вижте спецификациите на изображение [A]
- Размери в сгънат вид (включително предпазителят на колелата): 100 x 74 x 30 cm
- Тегло на ремаркетото (напълно сглобено ремарке включително рамото на колелото): 13 kg
- \*\*За да проверите натоварването на теглича, измерете теглото в края на рамото на велосипеда, докато количката е напълно натоварена с пасажери и багаж. Можете да измерите като застанете на кантар, запомнете собственото си тегло. Застанете на кантара с рамото на колелото в ръцете си. Уверете се, че държите рамото на колелото на правилната височина. Извадете собственото си тегло и резултатът е товарът на теглича.

A



Скорост за теглене  
Препоръчителна скорост:  
16km/h / 10mph  
Максимална скорост: 24km/h / 15mph



Товар на теглича\*\*  
Мин: 0kg / 0lb  
Макс: 8kg / 17,5lb



Физически изисквания  
Минимална възраст: 6 месеца.  
Максимален 22 kg / 48,5 lb  
Максимална височина на детето:  
117cm / 3,83ft



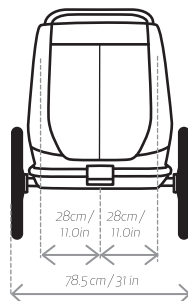
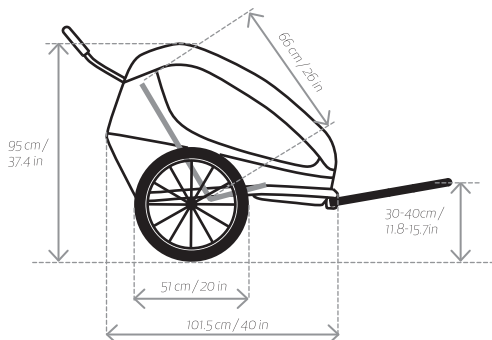
Капацитет на теглото  
Максимално натоварване: 47kg/ 105lb  
Максимално тегло на детето: 22kg / 48,5lb  
Максимално тегло с количката: 60kg / 132lb



багаж  
Максимален: 5kg / 11lb



Седящи места  
За 1 или 2 деца





## ИНСТРУКЦИИ ЗА БЕЗОПАСНОСТ



# ПРЕДУПРЕЖДЕНИЯ

- ВАЖНО - ПРОЧЕТЕТЕ ВНИМАТЕЛНО И ЗАПАЗЕТЕ ЗА БЪДЕЩИ СПРАВКИ.
- Този продукт отговаря на Европейските и Американски стандарти за детски колички за велосипеди и колички: EN 15918:2011+A2:2017, EN 1888-2:2018
- Седалката не е подходяща за деца под 6-месечна възраст
- Седящата част не е подходяща за деца, които не могат да седят без чужда помощ или нямат адекватна сила на врата. Моля, консултирайте се с педиатър, ако имате съмнения.
- Не използвайте с деца, които превишават ограниченията за тегло.
- Никога не оставяйте детето без надзор
- Избягвайте сериозни наранявания от падане или приплъзване. Винаги използвайте системата за задържане.
- Пътниците трябва винаги да носят подходяща по размер и одобрена каска.
- В САЩ, вижте стандарт за безопасност CPSC за каски за велосипеди.
- Тегленето на количка ще повлияе на стабилността на велосипеда и ще повиши разстоянието за спиране.
- Тази количка е по-широка от велосипед. Оставете допълнително разстояние и се обърнете внимание на по-широкия ъгъл на завиване.
- Преди всяко пътуване, се уверете, че закачената количка не пречи на спирането, въртенето на педалите или завиването на велосипеда.
- Не позволявайте тялото на детето или дрехи, връзки на обувки или играчки да влизат в контакт с движещите се части.
- Не монтирайте седалка или друго устройство за сядане, което не е одобрено от производителя.
- Не правете модификации по количката.
- Никога не карайте велосипеда през нощта, без адекватно осветление. Спазвайте всички законови изисквания за осветлението.
- В задната част на количката трябва да има рефлектор, който съответства на CPSC регулациите.
- Проверете налягането на гумите преди употреба. Винаги помпете гумите до нивото на налягане, указано на външните гуми.
- Не използвайте почистващи разтворители. Почиствайте само с мек сапун и вода.
- Неспазването на инструкциите на производителя може да доведе до сериозни наранявания или смърт на пътник/водач.
- Не оставяйте детето да играе с този продукт
- Уверете се, че всички устройства за заключване са активирани преди използване
- Уверете се, че спиращата за паркиране е активирана, когато поставяте и вадите децата си.
- За да избегнете нараняване, уверете се, че детето е на безопасно разстояние, преди да разгънете или сгънете този продукт
- Този продукт не е подходящ за тичане или пързалане.
- Не използвайте аксесоари, които не са одобрени от производителя.
- Трябва да се използват само резервни части, доставени или препоръчани от производителя/доставчика.
- Обърнете внимание на опасности като вятър и излагане на горещини, при по-неактивни пътници при продължително излагане на ниски температури или при продължителни периоди на горещи температури без адекватна вентилация или

хидратация.

- Използване не по предназначение може да доведе до опасни ситуации. Намаха не е отговорна за повреди, причинени от употреба не по предназначение. Всяка употреба не по предназначение е за риск на потребителя.
- Затворете предния капак при употребата на количката за велосипед.
- Не поставяйте товар върху рамото, тъй като това ще повлияе на стабилността на ремаркетото.
- Не поставяйте багаж в зони, вътре или извън количката, различни от отделението за багаж, тъй като това ще повлияе на стабилността на количката.
- Не забравяйте да свалите колелото на количката, когато карате колело

Безопасност на велосипеда

Преди да свържете количката-ремарке към велосипеда се уверете, че велосипедът е подходящ за теглене на количка според инструкциите на производителя и е оборудван с добре функциониращи спирачки.

Препоръчително е велосипед, използван за теглене на количка, да премине проверка за безопасност от квалифициран механик на велосипеди, преди закачането на количка. Колички за велосипеди, дърпани от ЕРАС могат да бъдат забранени от закона.

Поведение при колоездене

При теглене на количка, вашият велосипед е по-тежък и реагира по-бавно, поради добавеното тегло. Запознайте се с това поведение като практикувате с натоварена количка на спокойно място преди да излезете на оживени обществени пътища с пътища.

Обърнете внимание, че поради теглото на количката, колелото има по-дълъг спирачен път. Внимавайте, когато карате по надолнище, тъй като велосипедът набира скорост по-бързо.

Не превишавайте максималната скорост, описана в това ръководство и намалявайте, когато правите завои по неравни пътища. Избягвайте карането по скали, бордюри и други препятствия, които могат да причинят обръщането на количката. Използването на количката в неподходящо време, път или условия може да доведе до опасни ситуации. Винаги правете правилна преценка дали условията са безопасни за използването на количка.

Добра видимост

За оптимална видимост и безопасност за трафика, многофункционалната количка има предни (бели), задни (червени) и колесни (оранжеви) рефлектори. По външната материя са вградени светлоотразителни елементи. Когато използвате количката за теглене от велосипед, трябва да поставите и оранжевия флаг за безопасност, за да подобрите видимостта [8]. Използвайте задната светлина, която е включена в доставката, вижте [16].

Употреба по предназначение

- Количката е предназначена за транспортиране на деца, както е описано в това ръководство, по обществени пътища със светофари, тротоари и гладки пътеки. Намаха счита употребата на количката по всякакъв друг начин като не по предназначение, включително, но неограничено от:
- каране с превишена скорост
- каране по неравни пътища и оф-роуд условия
- използване на количката за комерсиални цели
- транспортиране на животни
- съхраняване на багаж в зоните вътре или извън количката, извън отделението за багаж
- теглене на количката от моторизирани превозни средства
- неспазване на инструкциите в това ръководство

## ПЪРВИ СТЪПКИ - МОНТАЖ

[1] Съдържание на доставката

- Тяло на количката (1x) [1a]
- Колелце за бързо освобождаване (2x) [1b]
- Рамо на велосипеда (1x) [1c]
- Флаг за безопасност (1x) [1d]
- Колело на количката (1x) [1e]
- Ръководство за употреба на Намаха Traveller (1x)

- Лост за освобождаване [2a]
- Преден джоб [2b]
- Преден капак [2c]
- Подложки за седалки [2d]
- Закопчалка за колелото [2e]
- Спирачка за паркиране [2f]
- Предпазител за колелото [2g]
- Закопчалка за рамото на колелото [2h]
- Дръжка на лоста за освобождаване [2i]
- Облегалка на седалката [2j]
- Място за съхранение [2k]

[2] Изглед на продукта

- [3] Окачване на приставката за колелото
- Отстранете устройството за бързо отстраняване или гайката [3a] от лявата страна на оста за колелото. Поставете приставката [3b] между устройството за бързо отстраняване или гайката и рамката. Поставете обратното устройство за бързо отстраняване или гайката и затегнете според инструкциите на производителя на велосипеда.
  - Избутайте приставката назад. Спазвайте подравняването / ъгъла между приставката и рамото на велосипеда възможност най-право.

[4] Монтаж на предпазителите на колелата

- Поставете двата предпазителя за колела [4a] в двата отвора от страната на рамката. Затегнете болтовете [4b] от вътрешната част на рамката. Използвайте шестстенния ключ, предоставен с предпазителите на колелата.

[5] Разгъване на количката

- Хванете задната рамка [5a] от вътрешната страна на отделението за багаж [2k] и я издърпайте назад. Докато правите това, можете да натиснете горната рамка [5b] напред.
- Сгъващите ключалки [6a] се заключват автоматично и чувате щракане.
- Уверете се, че сгъващият механизъм е заключен като се опитате да натиснете задната рамка напред.
- Поставете лоста за освобождаване [5c] във връзката за лоста [12a], натиснете бутоните на лоста [12b] и натиснете лоста напред, докато се заключи. Поставете лоста в най-високата му позиция, когато карате велосипед [12c].

[6] Сгъване на количката

- Отстранете лоста като натискате бутоните [12].
- Натиснете и двете сгъващи ключалки [6a] и натиснете рамката напред, докато се сгъне.
- Внимателно натиснете горната рамка надолу в сгъната позиция и сгънете платата в количката.

[7] Монтиране на колелата за бързо освобождаване

- Уверете се, че спирачката за паркиране не е активирана [2f] и че оста на колелото [7a] е чиста.
- Натиснете бутона [7b] и поставете оста на колелото в гнездото. Уверете се, че колелото е правилно закрепено като го издърпате.

[8] Монтаж на флага за безопасност

- Поставете флага [8a] в отвора [8b] до лоста за освобождаване. Ако е необходимо, отворете отделението за багаж, за да откриете отвора за флага. Поставете флага от страната на количката, която е най-издадена към пътя.

## УПОТРЕБА

[9] Използване на колелото на количката

- **Закрепване:** Поставете пина на колелото на количката [1e] в предната връзка на количката [9a]. Издърпайте колелото на количката, за да се уверите, че е здраво закрепено.
- **Отстраняване:** Натиснете бутона [9b], за да отключите и издърпайте колелото на количката [1e] от предната връзка [9a].
- Когато бутате количката, можете да държите рамото за велосипеда [1c] в задна позиция в приспособлението за рамо на велосипед [10a] [19]. Не използвайте бутона за рамото на велосипеда [10b] в тази позиция.

[10] Закачане на рамото на велосипеда към количката

- Плъзнете рамото на велосипеда [1c] към приспособлението за рамото на велосипеда [10a].
- Натиснете бутона за рамото на велосипеда [10b] и натиснете рамото още, докато се заключи.
- Поставете заключващия пин [10c], за да направите сигурна връзка. Завъртете куката на заключващия пин [10c] назад и я щракнете върху самата нея. Издърпайте рамото на велосипеда, за да се уверите в добрата връзка.

[11] Закрепване на рамото на велосипеда към велосипеда

- Прикрепете стабилно теглича и каишките преди употреба. Уверете се, че количката е разтоварена, когато я закачате и разкарате от велосипеда.
- Плъзнете рамото за велосипеда към приставката [11a]. Прекарайте поддържащия пин [11b] през отвора в рамото на велосипеда и го затворете. Уверете се, че рамото на велосипеда е стабилно закрепено, като го издърпате. Завържете каишката около рамката на велосипеда и затегнете куката с триъгълната плоча [11c].
- Уверете се, че сте поставили каишката за безопасност около стойката за веригата [11d] или за седалката [11e] на рамката на велосипеда.

**СЪВЕТ:** Когато не използвате рамото за велосипеда, можете да го държите в количката

**СЪВЕТ:** Ако каишката е прекалено дълга, можете да я увиете два пъти около рамката, за да сте сигурни, че тя няма да се опира в движещите се части на задното колело.

#### [12] Настройка на лоста за освобождаване [2a]

- Извадете лоста за освобождаване [2a], чрез натискането на заключващите пинове [12b] от всяка страна и издърпайте лоста.
- Настройте лоста на 180 градуса надолу [12d] или нагоре [12c].
- Поставете лоста за освобождаване [5c] във връзката за лоста [12a], натиснете бутоните на лоста [12b] и натиснете лоста напред, докато се заключи. Поставете лоста в най-високата му позиция, когато карате велосипед [12c].

#### [13] Използване на спирачката за паркиране

- За активиране: Натиснете лоста на спирачката за паркиране [13a], докато бутонът [13b] изскочи и лостът се заключи. Може да се наложи да преместите количката леко назад и напред, за да влезе пина в отвора на колелото. Винаги проверявайте дали спирачката е активирана чрез бутане на количката.
- За освобождаване: Натиснете бутона за освобождаване [13b] с пръстите на краката и лостът [13a] се завърта нагоре.

#### [14] Предни капаци и сенник

- Traveller има 3 предни капака: пластмасов капак [14a], мрежесто покривало [14b] и допълнителен сенник [14d]. Пластмасовият капак и мрежестото покривало могат да се фиксират чрез куки над рамката [14c].
- За фиксиране на сенника използвайте велкрото [14e]: 4 за къса или 6 за пълна дължина. За скъсяване на сенника [14d], го сгънете и фиксирайте долната част на велкрото към горната част [14f].
- Когато не ги използвате, капациите могат да се съхраняват в джоба [14g]. Затворете джоба чрез бутоните, за да предотвратите падането на капациите по време на придвижване.

#### [15] 5-точков колан за безопасност

- Поставете детето да седне и насочете ръцете през отворите между колана за раменете [15a] и кръста [15b]. Проверете дали коланите за раменете са подравнени с раменете на детето. Настройте височината чрез плъзгане нагоре и надолу на катарамите [15e] над подглавника.
- Свържете двете катарамите на коланите за раменете и ги поставете в централната катарамна [15c] на колана на чатала [15d], докато усетите щракване. Намалете дължината на колите за чатала и раменете, така че детето да е стегнато. Уверете се, че коланът за безопасност е заключен като издърпате двата колана за раменете.

#### [16] Монтиране на светлините

- Поставете светлините от страната на количката, която е най-издадена към пътя.
- Отзад: Поставете червената светлина на лоста за освобождаване [16]. Поставете го от страната, която е най-издадена към пътя.

## ГРИЖА И ПОДДРЪЖКА

Проверете преди да използвате количката

- Колелата са правилно закрепени за количката.
- Гумите са напомпани според зададеното налягане
- Количката е напълно разгъната и механизмът е заключен от двете страни. Не забравяйте за заключите лоста за освобождаване.
- Облегалката на седалката е стабилна и затегната. Моля, вижте раздела за поддръжка.
- Флагът за безопасност и светлините са поставени, когато е необходимо.

Съхраняване

- Силно препоръчително е да съхранявате количката Traveller на закрито, в сухи и добре вентилирани помещения, далеч от слънчева светлина.

**СЪВЕТ:** Налично е покривало на Ntatax за по-добра защита.

Поддръжка

- [17] Спирачка за паркиране [2f]: Ако спирачката не се задейства и на двете колела или не се освободи напълно (щракащ звук), трябва да настроите жилата на спирачката за паркиране с помощта на регулатора за гайките [18a] от всяка страна на колелото под ремаркетото.
- Ремаркетото-количка Traveller разполага със сменяем преден капак, който е закрепен с велкро лепенка в джоба над предния отвор.
- Връзка за колелото на количката [2e]: Ако във връзка на колелото на количката има мръсотия [2e], изплакнете я с вода.
- Облегалка на седалката [2j]: За удобно и безопасно седене редовно отгрявайте каишките [18] в задната част на облегалката на седалката. Уверете се, че започнете да ги стягате отгоре надолу.
- Не използвайте почистващи разтворители. Почиствайте само с мек сапун и вода.
- Подложките на седалките [2d] могат да бъдат свалени от ремаркетото-количка, за да бъдат почистени. Перете седалката на ръка или с помощта на машинно пране със студена вода с кратки цикли на центрофугиране.
- Оставете ремаркетото-количка да изсъхне напълно, преди да го съхранявате, за да предотвратите появата на

мухъл.

- Ако ремаркетото-количка е участвала в произшествие или е повредена, свържете се с Вашия дистрибутор, за да проверите дали все още може да се използва.
- Всички важни компоненти като: теглич, свързващо устройство, рамка, предпазни колани, осветително оборудване, гуми и колела и др. да се проверяват за безопасно състояние; редовна проверка дали болтовите съединения са добре затегнати.

## ГАРАНЦИЯ

Гаранцията на многофункционалната ремарке-количка HamaX Traveller започва да тече от датата ѝ на закупуване. Гаранционният срок зависи от законодателството на въпросната държава. Гаранцията важи за дефекти на материалите или изработката и не покрива повреди, дължащи се на неправилна употреба, липса на поддръжка, неспазване на ръководството за употреба, използване на сила или нормално износване. Гаранцията е валидна само за оригиналния потребител. Моля, прочетете внимателно препоръките за употреба и поддръжка. Условия, които могат да причинят преждевременно износване на ремаркетото-количка, не могат да бъдат обхванати от гаранцията. Ако ремаркетото-количка се нуждае от обслужване или искате да предявите гаранционен иск, моля, свържете се с местния дистрибутор, от когото сте закупили Вашето ремарке.

## ОБЩИ УКАЗАНИЯ ЗА БАТЕРИИТЕ

- Непрезареждащите се батерии не трябва да се зареждат.
- Преди зареждане извадете презареждащите се батерии от продукта.
- Различните видове батерии, както и старите и новите батерии не трябва да се използват заедно в един и същи продукт.
- Трябва да се използват само батерии от същия или еквивалентен тип, както е посочено.
- Моля, уверете се, че батериите са поставени с правилната полярност.
- Захранващите клеми не трябва да са свързани накъсо.
- Извадете празните батерии от продукта.
- Изгарянето на празните батерии е забранено, тъй като могат да експлодират или да изпуснат.

Информация относно изхвърлянето на изтощени батерии



Символът върху лявата страна на батериите, опаковката или в приложените документи означава, че в края на жизнения им цикъл батериите не трябва да изхвърлят заедно с битовите отпадъци. Възможно добавените букви под кошчето за отпадъци означават, че батерията съдържа олово (Pb), кадмий (Cd) или живак (Hg). Вие, като потребител, сте задължени да предавате всички видове батерии (както презареждащи се, така и незареждащи се), включително батериите тип „копче“, в местните пунктове за събиране или в магазините за търговия на дребно. Безплатно с. Правилното изхвърляне дава възможност за рециклиране на ценни ресурси и избягва възможните отрицателни ефекти върху хората и околната среда.

Информация относно изхвърлянето на стари електрически и електронни продукти



Символът върху лявата страна на батериите, опаковката или в приложените документи означава, че след края на жизнения си цикъл продуктът не трябва да се изхвърля заедно с битовите отпадъци. Вие, като потребител сте задължени по закон да предавате електрическите и електронните продукти в местните пунктове за събиране на електронно оборудване. Безплатно с. Моля, извадете батериите, преди да изхвърлите продукта. Правилното изхвърляне дава възможност за рециклиране на ценни ресурси и избягва възможните отрицателни ефекти върху хората и околната среда. За допълнителна информация се свържете с Вашия местен орган на властта или с търговеца, от когото сте закупили продукта.

# HR Hvala vam na odabiru višenamjenske dječje prikolice Hamax Traveller

Višenamjenska dječja biciklistička prikolica s kotačem kolica,

Čestitamo na kupnji višenamjenske dječje prikolice Hamax Traveller. Svoje dijete možete sigurno i udobno prevoziti koristeći Hamax Traveller kao biciklističku prikolicu i kolica. Prije montiranja ili uporabe prikolice Hamax Traveller molimo pažljivo pročitajte ovaj priručnik. Vama i vašoj djeci želimo mnogo ugodnih putovanja!

Sačuvajte ovaj priručnik na sigurnom mjestu za buduće potrebe.

## Specifikacije

- Pogledajte specifikacije na slici [A]
- Dimenzije u sklopljenom položaju (sa štitnicima kotača): 100 x 74 x 30 cm
- Masa prikolice (potpuno montirana s krakom za bicikl): 13 kg
- \*\*\*Kako biste provjerili opterećenost vučne motke, izmjerite masu na kraju kraka za bicikl kada se u prikolici nalaze putnici i teret. Mjeriti možete stojeći na vagi, ali upamtite svoju tjelesnu masu. Stanite na vagu držeći krak za bicikl u rukama. Krak za bicikl svakako držite na ispravnoj visini. Oduzmite svoju tjelesnu masu i rezultat će biti opterećenost vučne motke.

A



### Brzina vuče

Preporučena brzina: 16 km/h / 10 mph

Maks. brzina: 24 km/h / 15 mph



### Opterećenost vučne motke\*\*

Min.: 0 kg / 0 lb

Maks.: 8 kg / 17,5 lb



### Fizički zahtjevi

Min. dob: 6 mjeseci.

Maks. 22 kg / 48,5 lb

Maks. visina djeteta: 117 cm / 3,83 ft



### Nosivost

Maks. teret: 47 kg / 99 lb

Maks. masa djeteta: 22 kg / 48,5 lb

Maks. masa s prikolicom: 60 kg / 132 lb



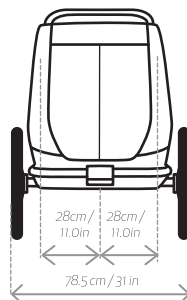
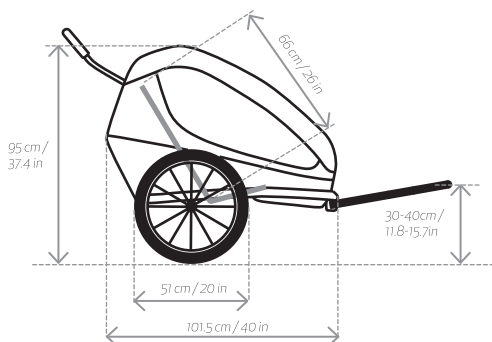
### Prtljaga

Maks.: 5 kg / 11 lb



### Sjedeći položaji

Za 1 dijete ili 2 djeteta



## SIGURNOSNE NAPOMENE

# UPOZORENJA

- **Važno** – Sačuvati za slučaj potrebe
- Ovaj proizvod udovoljava europskim i američkim normama za dječje biciklističke prikolice i kolica: : EN 15918:2011+A2:2017, EN 1888-2:2018
- Ne upotrebljavajte ovu sjedalicu za djecu mlađu od 6 mjeseci.
- Sklop sjedala nije prikladan za djecu koja ne mogu sjediti bez pomoći ili nemaju dovoljnu snagu u vratu. Ako niste sigurni, molimo savjetujte se s pedijatrom.
- Ne rabite za djecu koja prekoračuju ograničenja mase.
- Nikada ne ostavljajte dijete bez nadzora
- Izbjegavajte teške ozljede zbog pada ili otklizavanja. Uvijek upotrebljavajte sigurnosne pojase.
- Putnici bi uvijek trebali nositi provjerenu kacigu primjerene veličine.
- U SAD-u pogledajte normu o sigurnosti CPSC za biciklističke kacige.
- Vuča prikolice utječe na stabilnost bicikla i povećava zaustavni put.
- Prikolica je šira od bicikla. Ostavite dovoljno slobodnog prostora i pazite na veći radijus okretanja.
- Prije svake vožnje pobrinite se za to da priključena prikolica ne ometa kočenje, okretanje pedala ili upravljanje biciklom.
- Ne dopustite da djeca tijelom ili odjećom, vezicama za cipele ili igračkama dodirnu pokretne dijelove.
- Ne montirajte autosjedalicu ili druge uređaje za sjedenje koje nije odobrio proizvođač
- Ne obavljajte izmjene na prikolici.
- Nikada ne vozite bicikl noću bez primjerene rasvjete. Pridržavajte se svih lokalnih zakonskih zahtjeva za rasvjetu.
- Mačje oko u skladu s propisima CPSC mora biti vidljivo na stražnjoj strani prikolice.
- Prije uporabe provjerite tlak u gumama. Uvijek napušite gume do vrijednosti navedene na vanjskim gumama.
- Za čišćenje ne rabite otapala. Očistite samo blagom otopinom sapunice.
- Nepridržavanje uputa proizvođača može uzrokovati teške ozljede ili smrt putnika/biciklista.
- Ne dopustite djetetu da se igra s ovim proizvodom.
- Prije uporabe kolica, provjerite jesu li svi dijelovi za učvršćivanje ispravni
- Prilikom stavljanja i vađenja djeca provjerite je li parkirna kočnica aktivirana.
- Kako biste izbjegli ozljede, pobrinite se da dijete bude na sigurnoj udaljenosti kada sklapate ili rasklapate ovaj proizvod.
- Ovaj proizvod nije namijenjen trčanju ili rolanju
- Ne rabite pribor koji nije odobrio proizvođač.
- Rabite samo rezervne dijelove koje isporučuje ili preporučuje proizvođač/distributer.
- Pazite na opasnosti iz okoline kao što su hladan vjetar i zamor od vrućine kod neaktivnih putnika u prikolici tijekom duljeg izlaganja pri niskim temperaturama ili tijekom duljih razdoblja pri visokim temperaturama bez dovoljnog provjetravanja ili hidratacije.
- Nenamjenska uporaba mogla bi uzrokovati opasne situacije. Hamax nije odgovoran za štete uzrokovane nenamjenskom uporabom. Za svaku nenamjensku uporabu odgovoran je korisnik.
- Zatvorite prednji pokrov prilikom uporabe biciklističke prikolice.
- Ne stavljajte terete na vučnu motku jer će to utjecati na stabilnost prikolice.
- Ne stavljajte prtljagu u druga područja unutar i izvan prikolice osim u odjeljak za prtljagu jer to utječe na stabilnost prikolice.
- Prije vožnje bicikla ne zaboravite demontirati kotač kolica.

## Sigurnost bicikla

Prije spajanja biciklističke prikolice s biciklom pobrinite se za to da je vaš bicikl prikladan za vuču prikolice u skladu s uputama proizvođača bicikla i opremljen funkcionalnim kočnicama. Preporučujemo da prije priključivanja prikolice bicikl koji namjeravate rabiti za vuču prikolice podvrgnete sigurnosnoj provjeri kvalificiranog mehaničara za bicikle. Biciklističke prikolice koje vuku bicikli i elektrobicikli mogu biti zakonom ograničene.

## Ponašanje tijekom vožnje

Prilikom vuče prikolice bicikl je teži i sporije reagira zbog dodatnog tereta. Upoznajte se s tim ponašanjem vježbajući s napunjenom prikolicom na mirnom području prije vožnje po prometnim javnim cestama s putnicima.

Imajte na umu da zbog mase prikolice bicikl ima dulji zaustavni put. Budite oprezni prilikom vožnje nizbrdo jer će bicikl brže dobiti na brzini.

Ne prekoračujte maksimalnu brzinu navedenu u ovom priručniku i usporite prilikom skretanja i na neravnim cestama. Izbjegavajte vožnju po kamenju, rubovima ili drugim preprekama koje mogu uzrokovati prevrtanje prikolice. Uporaba prikolice u nepovoljnim vremenskim uvjetima, po lošim cestama ili gustom prometu može uzrokovati nesigurne situacije. Uvijek zdravim razumom procijenite jesu li uvjeti sigurni za uporabu prikolice.

## Dobra vidljivost

Radi optimalne vidljivosti i sigurnosti u prometu višenamjenska prikolica ima prednje (bijele), stražnje (crvene) i mačje oči (narančaste) na kotačima. Reflektivne cijevi integrirane su u vanjskoj tkanini. Kada prikolicu rabite kao biciklističku prikolicu, morate staviti i narančastu sigurnosnu zastavicu radi bolje vidljivosti [8]. Rabite priloženo stražnje svjetlo, vidi [16].

## Namjenska uporaba

- Prikolica je namijenjena za prijevoz djece prema specifikacijama iz ovog priručnika po javnim cestama s rijetkim prometom, pločnicima i ravnim putovima. Svaku drugu uporabu Hamax smatra nenamjenskom, uključujući bez ograničenja:
- vožnju prekomjernom brzinom
- vožnju po neravnim terenskim uvjetima
- uporabu prikolice za komercijalne svrhe
- prijevoz životinja
- čuvanje prtljage na područjima unutar ili izvan prikolice osim u prtljažnom prostoru prikolice
- vuču prikolice motornim vozilima
- nepridržavanje uputa iz ovog priručnika

## POČETAK RADA - MONTAŽA

### [1] Opseg isporuke

- Tijelo prikolice (1x) [1a]
- Kotač na brzo otpuštanje (2x) [1b]
- Krak za bicikl (1x) [1c]
- Sigurnosna zastavica (1x) [1d]
- Kotač kolica (1x) [1e]
- Priručnik za uporabu Hamax Traveller (1x)

### [2] Pregled proizvoda

- Vučna motka [2a]
- Džep prednjeg pokrova [2b]
- Prednji pokrov [2c]
- Obloga sjedala [2d]
- Priključak kotača kolica [2e]
- Parkirna kočnica [2f]
- Štitnik kotača [2g]
- Priključak kraka za bicikl [2h]
- Ručka za otpuštanje vučne motke [2i]
- Stražnji naslon za leđa [2j]
- Spremište [2k]

### [3] Pričvršćivanje vučne motke na bicikl

- Demontirajte brzu spojnicu ili maticu [3a] s lijeve strane stražnje osovine kotača bicikla. Stavite vučnu motku [3b] između brze spojnice ili matice i okvira. Ponovno montirajte brzu spojnicu ili maticu i pritegnite prema uputama proizvođača bicikla.
- Usmjerite vučnu motku prema natrag. Usmjerenje/kut između vučne motke i kraka za bicikl mora biti što moguće ravno.

### [4] Montiranje štitnika kotača

- Umetnite dva štitnika kotača [4a] u 2 otvora na bočnoj strani okvira. Pritegnite vijak [4b] odozdo unutar okvira. Uporabite priloženi imbus ključ na štitnicima kotača.

### [5] Rasklapanje prikolice

- Primitre stražnji okvir [5a] unutar stražnjeg spremišta [2k] i povucite ga prema natrag. Pritom možete povući gornji okvir [5b] prema naprijed.
- Sklopive brave [6a] automatski se blokiraju, pri čemu ćete čuti zvuk „klik“.
- Provjerite je li mehanizam sklapanja blokiran pokušavajući gurnuti stražnji okvir prema naprijed.
- Umetnite vučnu motku [5c] u priključak vučne motke [12a], pritisnite gumb vučne motke [12b] i utisnite vučnu motku dok se ne blokira. Stavite vučnu motku na najviši položaj prije vožnje bicikla [12c].



## [6] Sklapanje prikolice

- Izvadite vučnu motku pritišćući gumbe [12].
- Povucite obje sklopive brave [6a] i pritisnite okvir prema naprijed dok se ne sklopi.
- Nježno pritisnite gornji okvir prema dolje u sklopljeni položaj i sklopite tkanine u prikolicu.

## [7] Montiranje kotača na brzo otpuštanje

- Provjerite da parkirna kočnica nije aktivirana [2f] i da je osovina kotača [7a] čista.
- Pritisnite gumb [7b] i umetnite osovinu kotača u utor. Provjerite je li kotač čvrsto stegnut tako da ga povučete.

## [8] Montiranje sigurnosne zastavice

- Umetnite šipku za zastavicu [8a] u otvor [8b] pored vučne motke. Po potrebi otvorite spremište kako biste pronašli otvor šipke za zastavicu. Stavite šipku za zastavicu na stranu biciklističke prikolice koja je okrenuta prema cesti.

# UPORABA

## [9] Uporaba kotača kolican

- Radi montaže: Umetnite iglu kotača kolica [1e] u prednji priključak kolica [9a]. Povucite kotač kolica kako biste provjerili čvrst spoj.
- Radi demontaže: Pritisnite gumb [9b] kako biste deblokirali i povukli kotač kolica [1e ] prema van iz prednjeg priključka [9a].
- Prilikom uporabe kolica krak za bicikl [1c] možete spremiti u obrnutom položaju u priključak kraka za bicikl [10a] [19]. Ne rabite gumb kraka za bicikl [10b] u tom položaju.

## [10] Priključivanje kraka za bicikl na prikolicu

- Ugurajte krak za bicikl [1c] u priključak kraka za bicikl [10a].
- Pritisnite gumb kraka za bicikl [10b] i utisnite krak dok se ne blokira.
- Umetnite iglu za blokiranje [10c] kako biste osigurali spoj. Okrenite kuku igle za blokiranje [10c] prema natrag i preklopite je. Povucite krak za bicikl kako biste provjerili čvrst spoj.

## [11] Priključivanje kraka za bicikl na bicikl

- Čvrsto pričvrstite vučnu motku i sigurnosni remen prije uporabe. Prilikom priključivanja prikolice na bicikl i odvajanja s bicikla provjerite da prikolica nije napunjena.
- Ugurajte krak za bicikl na vučnu motku [11a]. Umetnite iglu za blokiranje [11b] kroz otvor na kraku za bicikl i zatvorite je. Provjerite je li krak za bicikl učvršćen povlačeći krak za bicikl. Omotajte sigurnosni remen oko okvira bicikla i zakvačite kuku za trokutastu pločicu [11c].
- Svakako omotajte sigurnosni remen oko prečke lanca [11d] ili sjedala [11e] okvira bicikla.

**SAVJET:** Kada ne rabite krak za bicikl, možete ga spremiti u prikolicu

**SAVJET:** Ako je sigurnosni remen predug, možete ga dvaput omotati oko okvira kako remen ne bi ometao pokretne dijelove stražnjeg kotača.

## [12] Namještanje vučne motke [2a]

- Izvadite vučnu motku [2a] tako da povučete igle za blokiranje vučne motke [12b] na obje strane i izvučete vučnu motku.
- Namjestite vučnu motku za 180 stupnjeva u željeni niski [12d] ili visoki položaj [12c].
- Umetnite vučnu motku [5c] u priključak vučne motke [12a], pritisnite gumbe vučne motke [12b] i utisnite vučnu motku dok se ne blokira. Stavite vučnu motku na najviši položaj prije vožnje bicikla [12c].

## [13] Uporaba parkirne kočnice

- Radi aktiviranja: Pritisnite polugu parkirne kočnice [13a] prema dolje dok gumb [13b] ne iskači i poluga se blokira. Možete ćete prikolicu morati malo pomaknuti prema natrag kako bi igla kočnice pored kotača ušla u rupu. Uvijek provjerite je li kočnica aktivirana povlačeći prikolicu.
- Radi deaktiviranja: Pritisnite gumb za otpuštanje [13b] vrhom stopala i poluga [13a] će se okrenuti prema gore.

## [14] Prednji pokrovi i sjenilo

- Traveller ima 3 pokrova sprijeda: plastični pokrov [14a], rešetkasti pokrov [14b] i dodatno sjenilo [14d]. Plastični i rešetkasti pokrov moguće je učvrstiti na dnu s pomoću kuka iznad okvira [14c].
- Kako iste učvrstili sjenilo, uporabite čičak-zatvarače [14e]: 4 za kratku ili 6 za punu duljinu. Kako biste skratili sjenilo [14d], sklopite ga i spojite donje s gornjim čičak-zatvaračima [14f].
- Kada ih ne rabite, pokrove je moguće spremiti u džep [14g]. Zatvorite džep gumbima kako pokrovi ne bi ispali tijekom vožnje.

## [15] Sigurnosni pojas u 5 točaka

- Posjednite dijete i provucite ruke kroz otvor između ramenog remena [15a] i remena oko struka [15b]. Provjerite jesu li rameni remeni poravnani s ramenima djeteta. Namjestite visinu pomicanjem kopča [15e] iznad naslona za glavu prema gore ili dolje.
- Spojite zajedno dvije kopče ramenog remena i umetnite ih u središnju kopču [15c] na remenu međunožja [15d] dok se ne uglati. Skratite remen međunožja i ramene remene kako bi dijete bilo sigurno stegnuto. Provjerite jesu li sigurnosni remeni blokirani povlačenjem dvaju ramenih remena.

## [16] Montiranje rasvjete

- Stavite svjetla na stranu biciklističke prikolice koja je najčešće okrenuta prema cesti.
- Otraga: Priključite crveno svjetlo na vučnu motku [16]. Stavite ga na stranu koja je najčešće okrenuta prema prometu.

## HNJEGOVANJE I ODRŽAVANJE

### Provjerite prije uporabe prikolice

- Kotači su ispravno učvršćeni na prikolicu.
- Gume su napuhane prema specifičanom tlaku u gumama
- Prikolica je potpuno rasklopljena, a mehanizam je blokiran na obje strane. Ne zaboravite blokirati vučnu motku.
- Naslon za leđa sjedala čvrsto je učvršćen i stegnut. Molimo pogledajte poglavlje o održavanju.
- Sigurnosna zastavica i svjetla postavljena su prema potrebi.

### Skladištenje

- Preporučujemo da Traveller čuvate na zatvorenom, u suhoj i dobro provjetravanoj prostoriji, dalje od sunčane svjetlosti.

**SAVJET:** Radi bolje zaštite možete nabaviti Hamax pokrov za skladištenje.

### Održavanje

- [17] Parkirna kočnica [2f]: Ako se kočnica ne aktivira na oba kotača ili se potpuno ne deaktivira (kotač će u tom slučaju kucnuti), morate namjestiti kabele parkirne kočnice s pomoću regulatora [18a] na svakom kotaču ispod prikolice.
- Biciklistička prikolica Traveller ima zamjenjivu prednju stranicu koja je čičak-trakom pričvršćena u džepu iznad prednjeg otvora.
- Priključak kotača kolica [2e]: ako u priključku kotača kolica [2e] postoji nečistoća, isperite ga vodom.
- Leđni naslon sjedala [2j]: Kako bi sjedenje bilo udobno i sigurno, redovito pritežite remene [18] na stražnjoj strani leđnog naslona sjedala. Pobrinite se za to da ih najprije zategnete na vrhu, a zatim na dnu.
- Za čišćenje ne rabite otapala. Očistite samo blagom otopinom sapunice.
- Oblogu sjedala [2d] moguće je demontirati radi čišćenja. Operite sjedalo rukom ili u perilici rublja pri niskoj temperaturi i s kratkim centrifugiranjem.
- Kako biste spriječili stvaranje plijesni, prije skladištenja pustite prikolicu da se potpuno osuši.
- Ako je prikolica sudjelovala u nezgodi ili se oštetila, zatražite od trgovca da provjeri može li se i dalje rabiti.
- Na svim važnim komponentama kao što su vučna motka, spajna naprava, okvir, sigurnosni pojasevi, rasvjetna oprema, gume i kotači itd. radi sigurnosti redovito provjeravajte pritegnutost vijčanih spojeva.

## JAMSTVO

Višenamjenska dječja prikolica Hamax Traveller pod jamstvom je od datuma kupnje. Jamstveno razdoblje ovisi o nacionalnim zakonima. Jamstvo se odnosi na nedostatke u materijalu ili izradi i ne obuhvaća štete zbog nepravilne uporabe, nedovoljnog održavanja, nepridržavanja priručnika za uporabu, primjene sile ili uobičajenog trošenja. Jamstvo vrijedi samo za prvobitnog korisnika. Molimo pažljivo pročitajte preporuke za uporabu i održavanje. Uvjeti koji mogu uzrokovati prijevremeno trošenje prikolice ne moraju biti obuhvaćeni jamstvom. U slučaju da je potrebno servisirati prikolicu ili ako želite uložiti reklamaciju u sklopu jamstva, molimo obratite se lokalnom distributeru od kojega ste kupili prikolicu.

## OPĆE UPUTE ZA BATERIJE

- Jednokratne baterije nije dopušteno puniti.
- Prije punjenja izvadite punjive baterije iz uređaja.
- Nije dopuštena uporaba različitih vrsta baterija te starih i novih baterija zajedno u istom uređaju.
- Potrebno je rabiti samo baterije iste ili slične vrste prema specifikaciji.
- Molimo pobrinite se za to da se baterije umetnu prema ispravnom polaritetu.
- Među električnim kontaktima ne smije nastati kratki spoj.
- Izvadite prazne baterije iz uređaja.
- Nije dopušteno spaljivati prazne baterije jer one mogu eksplodirati ili procuriti.

### Informacije o zbrinjavanju rabljenih baterija



Simbol prikazan na lijevoj strani baterija, pakiranju ili priloženim dokumentima označava da baterije nije dopušteno baciti u kućanski otpad nakon isteka njihovog vijeka trajanja. Ispod kante za otpad mogu se nalaziti slova koja označavaju da baterija sadržava olovo (Pb), kadmij (Cd) ili živu (Hg). Kao potrošač ste zakonski odgovorni predati sve vrste baterija (i punjive i jednokratne) uključujući gumbaste baterije na sabirno mjesto ili u specijaliziranu maloprodajnu trgovinu. To se ne naplaćuje. Propisnim zbrinjavanjem omogućava se recikliranje dragocjenih resursa i sprječavaju mogući negativni učinci na ljudsko zdravlje i okoliš.

### Informacije o zbrinjavanju rabljenih električnih i elektroničkih proizvoda



Simbol prikazan na proizvodu, pakiranju ili priloženim dokumentima označava da proizvod nije dopušteno baciti u kućanski otpad nakon isteka njegovog vijeka trajanja. Kao potrošač ste zakonski odgovorni predati električne i elektroničke proizvode na sabirno mjesto ili u specijaliziranu maloprodajnu trgovinu. To se ne naplaćuje. Molimo prije zbrinjavanja proizvoda izvadite baterije. Propisnim zbrinjavanjem omogućava se recikliranje dragocjenih resursa i sprječavaju mogući negativni učinci na ljudsko zdravlje i okoliš. Za dodatne informacije molimo obratite se lokalnom službenom tijelu ili prodavaču proizvoda.

# HU Köszönjük, hogy a Hamax Traveller multifunkcionális gyerekpótkocsit választotta.

Multifunkcionális kerékpáros gyerekpótkocsi babakocsikerékkel.

Gratulálunk a Hamax Traveller multifunkcionális gyerekpótkocsijához! Biztonságosan és kényelmesen szállíthatja gyermekét a Hamax Travellerrel, akár kerékpáros pótkocsiként, akár babakocsiként. Kérjük, hogy a Hamax Traveller összeszerelése vagy használata előtt figyelmesen olvassa el az utasításokat. Számos élvezetes utat kívánunk Önnek és gyermekének!

Tartsa biztonságos helyen ezeket az utasításokat a későbbi használathoz.

## Specifikációk

- A specifikációkat lásd az [A] képen
- Méretek összehajtvva (beleértve a kerékdobokat is): 100 x 74 x 30 cm
- Pótkocsi súlya (a teljesen összehajtott pótkocsiba a kerékpárkar is beletartozik): 13 kg
- \*\*A vonórúd terhelésének ellenőrzéséhez mérje meg a súlyt a kerékpárkar végén, miközben a pótkocsit utasokkal és rakománnyal terheli. Megmérheti úgy is, hogy rááll egy mérlegre, csak emlékezzen a saját testsúlyára. Álljon a mérlegre, miközben a kezében tartja a kerékpárkart. Győződjön meg róla, hogy a helyes magasságban tartja a kerékpárkart. Vonja le ebből a saját testsúlyát, és a fennmaradó súly a vonórúd terhelése.

A



### Vontatási sebesség

Ajánlott sebesség: 16 km/ó / 10 mérföld/ó  
Max. sebesség: 24 km/ó / 15 mérföld/ó



### Vonórúd terhelése\*\*

Min.: 0 kg / 0 font  
Max.: 8 kg / 17,5 font



### Fizikai követelmények:

Min. életkor: 6 hónap.  
Max. 22 kg / 48,5 font  
Max. gyermekmagasság: 117 cm / 3,83 láb



### Súlykapacitás

Max. terhelés: 47 kg / 99 font  
Max. gyermek súlya: 22 kg / 48,5 font  
Max. súly beleértve a pótkocsit is: 60 kg / 132 font



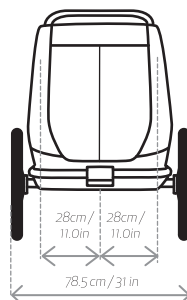
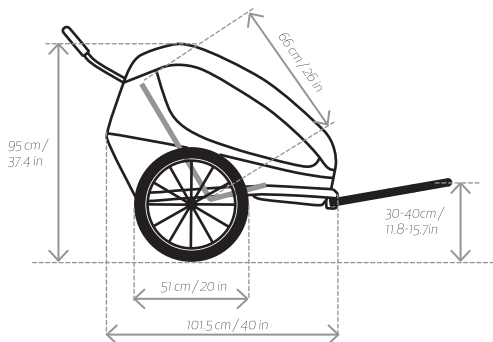
### Poggyász

Maz: 5 kg / 11 font



### Üléspozíciók

1 vagy 2 gyermeknek





# FIGYELMEZTETÉSEK

- **Fontos** – Figyelmesen olvassa el és őrizze meg későbbi felhasználás esetére
- A jelen termék megfelel a kerékpáros gyerekpótkocsira és babakocsira vonatkozó európai és amerikai szabványoknak: EN 15918:2011+A2:2017, EN 1888-2:2018
- Az ülés nem alkalmas 6 hónapnál fiatalabb gyermekek számára..
- Ez az ülésegység nem megfelelő olyan gyermekek számára, akik segítség nélkül nem tudnak önállóan ülni, illetve nincs megfelelő nyakizom-erősségük. Kétség esetén, kérjük, kérdezze meg gyermekorvosát.
- A súlykorlátozást meghaladó gyermekkel ne használja.
- Soha ne hagyja gyermekét felügyelet nélkül
- Kerülje el a gyermek kieséséből vagy kicsúszásából adódó súlyos sérüléseket. Mindig használja a biztonsági felszerelést.
- Az utasoknak mindig hordaniuk kell a megfelelően felhelyezett és jóváhagyott bukósisakot.
- Az Egyesült Államokban lásd a CPSC Kerékpáros bukósisakokra vonatkozó biztonsági szabványt.
- A pótkocsi vontatása befolyásolja a kerékpár stabilitását, és megnöveli a féktávot.
- Ez a pótkocsi szélesebb, mint a kerékpár. Hagyjon több helyet, és vegye figyelembe a nagyobb fordulási ívet.
- Minden egyes út előtt ellenőrizze, hogy a pótkocsi nem akadályozza meg a fékezést, pedálozást vagy a kerékpár kormányzását.
- Figyeljen rá, hogy a gyermek se a teste, se a ruházata ne érjen hozzá semmilyen mozgó alkatrészhez.
- Semmilyen autós ülést vagy egyéb ülést ne szereljen be, amit a gyártó nem hagyott jóvá.
- Semmilyen módosítást ne hajtson végre a pótkocsin.
- Ha nincs megfelelő világítása, este soha ne kerékpározzon. Tartson be minden világításra vonatkozó helyi jogi követelményt.
- A pótkocsi hátuljára olyan reflektort kell felszerelni, amely megfelel a CPSC rendeleteknek.
- Használat előtt ellenőrizze a keréknyomást. A kerekeket mindig a kerék külsején feltüntetett keréknyomásra kell felfújni.
- Ne használjon tisztítószeret. Csak enyhe szappannal és vízzel tisztítsa.
- A gyártó utasításainak figyelmen kívül hagyása esetén súlyos sérüléseket szenvedhet az utas/kerékpározó vagy akár meg is halhat.
- Ne engedje gyermekét játszani a termékkel.
- Ellenőrizze, hogy használat előtt minden rögzítő szerkezet be legyen kapcsolva
- A gyermek ki- és behelyezésekor mindig ellenőrizze, hogy be van-e húzva a kézifék.
- A sérülések elkerülése végett, tartsa távol gyermekét a babakocsi összecukásakor és széthajtásakor
- Ez a termék nem alkalmas futáshoz.
- Ne használjon semmi olyan tartozékot, amit nem hagyott jóvá a gyártó.
- Csak olyan csere alkatrészeket használjon, amelyeket a gyártó/kereskedő mellékelte vagy ajánlott.
- Vegye figyelembe az olyan expozíciós veszélyeket, mint a hideg szél és hőkimerülés, például a pótkocsi kevésbé aktív utasainak az alacsony hőmérsékletnek való hosszabb kitettségét, vagy az utas melegebb hőmérsékleten történő nem megfelelő szellőzésnek és kiszáradásnak való kitettségét.
- A nem megfelelő használat veszélyes helyzeteket teremthet. A Hamax nem vonható felelősségre a nem megfelelő használatból eredő károkért. A nem megfelelő használat veszélyezteti a felhasználót.
- Húzza le az elülső védőfóliát a kerékpárpótkocsi használatakor.
- Semmilyen rakományt ne csatlakoztasson a tolórúdhoz.

- Ne tároljon poggyászt a pótkocsi belsejében vagy azon kívül, csak a csomagterben, mivel ez befolyásolja a pótkocsi stabilitását.
- Kerékpározás közben ne felejtse el levenni a babakocsi kereket

### Biztonság a kerékpáron

Mielőtt összekapcsolná a kerékpáros pótkocsit a kerékpárral, ellenőrizze, hogy a kerékpár gyártójának utasításai szerint a kerékpár alkalmas-e a pótkocsi vontatására, illetve hogy jól működnek-e a fékei. Azt javasoljuk, hogy a pótkocsi vontatására használt kerékpárt még a pótkocsi felszerelése előtt vizsgáltsa meg egy szakképzett kerékpárszerelővel. Az EPAC által húzott kerékpáros pótkocsikra törvényi korlátozások vonatkozhatnak.

### Kerékpározás közbeni viselkedés

pótkocsi vontatásakor a kerékpár nehezebben megy, és kevésbé érzékeny a plusz súly miatt. Ismerkedjen meg ezzel a viselkedéssel, tegyen rakományt a pótkocsiba egy nyugodt környéken, és gyakoroljon mielőtt utasokkal zsúfolt közutakra menne. Ne felelje, hogy a pótkocsi súlya miatt a kerékpárnak hosszabbodik a fékútja. Legyen óvatos, ha lefelé halad, mivel a kerékpár erőteljesebben felgyorsul.

Ne lépje túl a jelen kézikönyvben megadott maximális sebességet, és lassítson le forduláskor, illetve egyenetlen utakon. Kerülje a sziklákon, járdán vagy más olyan akadályokon való áthajtást, amelyek a pótkocsi felborulását okozhatják. A pótkocsi használata kedvezőtlen időjárású, út- vagy forgalmi viszonyok között nem biztonságos helyzeteket teremthet. Mindig legyen körültekintő, amikor eldönti, hogy a pótkocsi használatához biztonságosak-e a feltételek.

### Jó láthatóság

Az optimális láthatóság és a forgalom biztonsága érdekében a többfunkciós tartó elülső (fehér), hátsó (piros), illetve a kerékreфлекtorokkal (narancssárga) rendelkezik. A fényvisszaverő csövek a külső anyagba vannak beépítve. Ha a szállítót kerékpár-utánfutóként használja, akkor a még jobb láthatóság érdekében a narancssárga biztonsági zászlót is helyezze fel [8]. Használja a mellékelt hátsó lámpát, lásd [16]

### Rendeltetészerű használat

- A pótkocsi a gyermekek jelen útmutatóban meghatározottak szerinti szállítására szolgál, könnyű forgalmú, járdákkal ellátott és sima útfelületű közutakon. A Hamax pótkocsi bármilyen más használatát nem rendeltetészerű felhasználásnak tekintik, ideértve, de nem kizárólag:
  - a túlságosan gyors sebességet
  - az egyenetlen terepen történő kerékpározást
  - a pótkocsi kereskedelmi célú használatát
  - az állatok szállítását
  - a poggyász pótkocsi belsejében vagy a pótkocsi csomagterén kívüli helyeken történő tárolását
  - a pótkocsi motoros járművekkel történő vontatását
  - a kézikönyv utasításainak figyelmen kívül hagyása

## A KEZDETEK - ÜZEMBE HELYEZÉS

### [1] A csomag tartalma

- Pótkocsiváz (1x) [1a]
- Gyorskioldó kerék (2x) [1b]
- Kerékpárkar (1x) [1c]
- Biztonsági zászló (1x) [1d]
- Babakocsikerék (1x) [1e]
- Hamax Traveller felhasználói kézikönyv (1x)

### [2] Termékáttekintés

- Tolórúd [2a]
- Elülső védőfóliazseb [2b]
- Elülső védőfólia [2c]
- Üléspárnák [2d]
- Babakocsikerék rögzítése [2e]
- Rögzítőfék [2f]
- Kerékdob [2g]
- Kerékpárkar rögzítése [2h]
- Tolórúd kiengedendő fogantyú [2i]
- Hátsó üléshátamló [2j]
- Tárolási hely [2k]

### [3] Vonóhorog rögzítése a kerékpárra

- Távolítsa el a gyorskioldót vagy az anyát [3a] a kerékpár hátsó keréktengelyének bal oldaláról. Helyezze a kapcsolóelemet [3b] a gyorskioldó vagy az anya és a keret közé. Helyezze vissza a gyorskioldót vagy az anyát, és húzza meg a kerékpár gyártójának utasításai szerint.
- Hátrafelé irányítsa a horgot. A vonóhorog és a kerékpárkar közötti beállítást / szöveget a lehető legegyszerűbben kell tartani.

### [4] Szerelje fel a kerékdobokat

- Helyezze a két kerékdobot [4a] a keret oldalán lévő 2 lyukba. Rögzítse a csavart [4b] a keret alja felől. A mellékelt imbuszkulcsot használja a kerékdobhoz.

### [5] A pótkocsi kibontása

- Fogja meg a hátsó keretet [5a] a hátsó tárolórekesz belsejében [2k], és húzza hátrafelé. Eközben tolja előre a felső keretet [5b].

- Az összecsucskható reteszek [6a] automatikusan bezáródnak, ekkor kattánó hangot hall.
- A hátsó keret előre tolásával ellenőrizze, hogy a zárószervezet rögzítve van-e.
- Helyezze be a tolórudat [5c] a tolórúd csatlakozásába [12a], nyomja meg a nyomókar gombjait [12b], és tolja tovább a tolórudat, amíg be nem kattán. Helyezze a tolórudat a legmagasabb helyzetbe, ha kerékpározik [12c].

#### [6] A pótkocsi összecsucskása

- Távolítsa el a tolórudat, miközben nyomja a gombokat [12].
- Húzza meg mind a két összecsucskható reteszt [6a], és tolja előre a keretet, amíg össze nem csukódik.
- Finoman nyomja le a felső keretet az összehajtott helyzetbe, hajtja össze a szövetanyagokat, majd tegye a pótkocsiba.

#### [7] A gyorskioldó kerekek rögzítése

- Győződjön meg arról, hogy a rögzítőfék nincs behúzva [2f], és a keréktengely [7a] tiszta.
- Nyomja meg a nyomógombot [7b], és illessze a keréktengelyt a foglalatba. A kerék meghúzásával ellenőrizze, hogy a kerék megfelelően van-e rögzítve.

#### [8] A biztonsági zászló rögzítése

- Helyezze a zászlórudat [8a] a nyomórúd melletti [8b] lyukba. Szükség esetén nyissa ki a csomagtartót, hogy jobban meg tudja találni a zászlórúd nyílását. A zászlórudat a kerékpárpótkocsi azon oldalára helyezze, amely közelebb van az úthoz.

## HASZNÁLAT

#### [9] A babakocsikerék használata

- Felszerelés: Helyezze a babakocsi kerékcspaját [1e] a babakocsi elülső csatlakozásába [9a]. A biztonságos csatlakozást úgy tudja ellenőrizni, ha meghúzza a babakocsi kerekét.
- Az eltávolításhoz Nyomja meg a [9b] gombot a kioldáshoz, és húzza ki a babakocsi kerekét [1e] az elülső csatlakozásból [9a].
- Sétáláskor fordított pozícióban tárolhatja a kerékpárkart [1c] a kerékpárkar csatlakozásában [10a] [19]. A kerékpárkar gombot [10b] ne használja ebben a pozícióban.

#### [10] A kerékpárkar csatlakoztatása a pótkocsihoz

- Csúsztassa a kerékpárkart [1c] a kerékpárkar csatlakozásába [10a].
- Nyomja meg a kerékpárkar gombot [10b], és addig nyomja a kart, amíg be nem kattán a helyére.
- A biztonságos csatlakozás érdekében helyezze be a rögzítőcsapot [10c]. Forgassa hátrafelé a rögzítőcsapot [10c], és csúsztassa saját magára. Húzza meg a kerékpárkart, így ellenőrizze a jó csatlakozást.

#### [11] A kerékpárkar rögzítése a kerékpárhoz

- Használat előtt rögzítse a vonórudat és a biztonsági hevedert. Ügyeljen arra, hogy amikor a pótkocsit a kerékpárhoz csatlakoztatja, illetve lekapcsolja, akkor ne legyen belepakolva semmi.
- Csúsztassa el a kerékpárkart a vonóhorgon [11a]. Helyezze a rögzítőcsapot [11b] a kerékpárkar lyukába, és zárja le. A kerékpárkar meghúzásával ellenőrizze, hogy a kerékpárkar megfelelően van-e rögzítve. Tekerje körbe a biztonsági hevedert a kerékpár vázán, és rögzítse a kampót a háromszög alakú lemezhez [11c].
- Ügyeljen arra, hogy a biztonsági hevedert a kerékpárkeret lánc tartója [11d] vagy az üléstartó [11e] köré tegye.

**TIPP:** Ha nem használja a kerékpárkart, tárolja a pótkocsiban

**TIPP:** Ha a biztonsági heveder túl hosszú, tekerje kétszer a keretre, és bizonyosodjon meg róla, hogy a heveder nem lóg a hátsó kerék mozgó alkatrészei közé.

#### [12] A tolórúd beállítása [2a]

- Vegye ki a tolórudat [2a] úgy, hogy mindkét oldalon nyomja a reteszelt csapokat [12b], majd húzza ki a tolórudat.
- Állítsa a nyomókart 180 fokos szögben a kívánt alacsony [12d] vagy magas helyzetbe [12c].
- Helyezze be a tolórudat [5c] a tolórúd csatlakozásába [12a], nyomja meg a nyomókar gombjait [12b], és tolja tovább a tolórudat, amíg be nem kattán. Helyezze a tolórudat a legmagasabb helyzetbe, ha kerékpározik [12c].

#### [13] A rögzítőfék használata

- A fék behúzása: Nyomja lefelé a rögzítőfék karját [13a], amíg a gomb [13b] ki nem ugrik, és a kar rögzül. Lehet, hogy a pótkocsit kissé előre-hátra kell mozgatnia, hogy a kerék közelében lévő fékcsap beugorjon a lyukba. Mindig ellenőrizze a pótkocsi megtolásával, hogy a fék be van-e húzva.
- A kiengedéshez: Nyomja meg a kioldógombot [13b] a lába hegyével, amíg a kar [13a] felfelé nem fordult.

#### [14] Elülső védőfóliák és napellenző

- A Travellernek 3 elülső védőfóliája van: egy műanyag [14a], egy szövet [14b] védőfólia, és egy további napellenző [14d]. A műanyag és a hálós védőfólia alul rögzíthető, közvetlenül a keret föléltt lévő kampókkal [14c].
- A napellenző rögzítéséhez használjon tépőzárakat [14e]: 4 a rövidhez vagy 6 a teljes hosszhoz. A napellenzőt [14d] úgy tudja rövidebbre venni, ha összehajítja, ezután rögzítse az alsó és a felső tépőzárakkal [14f].
- Ha nem használja a védőfóliákat, tárolja őket a pótkocsi zsebében [14g]. A gombokkal zárja be a zsebet, így megakadályozza a védőfóliák útközbeni kiesését.

### [15] 5 pontos biztonsági hám

- Ültesse be a gyermekét, majd vezesse át a karjait a váll- [15a] és a deréköv [15b] közötti nyíláson. Ellenőrizze, hogy a vállszíjak igazodnak-e a gyermek vállához. Állítsa be a magasságot úgy, hogy a csatokat [15e] a fejtámla fölé vagy alá csúsztatja.
- Csatlakoztassa egymáshoz a két vállszíjcsatot, és helyezze őket a középső csatba [15c] az ágyékrészen [15d], amíg nem érzi, hogy bepattantak. Csökkentsen az ágyékrészénél lévő szíj és a vállszíj hosszát, hogy gyermeke biztonságosan legyen bekötve. Mindkét vállszíj meghúzásával ellenőrizze, hogy a biztonsági heveder rögzítve van-e.

### [16] A lámpák felszerelése

- A lámpákat a pótkocsi azon oldalára helyezze, amely közelebb van az úthoz.
- Hátsó: Rögzítse a piros lámpát a tolókarra [16]. Helyezze arra a oldalra, amely a leginkább ki van téve a forgalomnak.

## ÁPOLÁS ÉS KARBANTARTÁS

### A használat előtt ellenőrizze a pótkocsit

- A kerekek megfelelően vannak rögzítve a pótkocsihoz.
- A kerekek fel vannak-e fújva a megadott keréknyomásnak megfelelően
- A pótkocsi teljesen ki van-e hajtogatva, illetve a rendszer mindkét oldalon le van-e reteszelve. Ne felejtse el lezárni a tolórudat.
- Az ülés háttámla jól van-e rögzítve, illetve meg van-e húzva. Kérjük, olvassa el a karbantartási részt.
- Ha szükség van rá, a biztonsági zászló és a világítás mind a helyén van.

### Tárolás

- Erőteljesen ajánljuk, hogy kültéren, száraz és jól szellőztethető, napfénytől védett helyen tárolja a Traveller pótkocsit.

**TIPP:** A jobb védelem érdekében beszerezhető egy Hamax védőfólia a tároláshoz.

### Karbantartás

- [17] rögzítőfék [2f]: Ha a fék nem kapcsolódik zár mindkét keréken, vagy nem old ki teljesen (a kerék ekkor csipogó hangot ad), akkor a rögzítőfék kábeleit a koci alatti mindkét kerékalapon a [18a] anyocsavarokkal kell beállítani.
- A Traveller kerékpáros utánfutójának cserélhető előlapja van, amely tépőzárral van rögzítve az első nyílás feletti zsebben.
- Babakocsi kerékcsatlakozás [2e]: Ha szennyeződés van a babakocsi kerékcsatlakozásában [2e], öblítse le vízzel.
- Ülés háttámla [2j]: A kényelmes és biztonságos ülés érdekében rendszeresen húzza meg a hevedereket [18] az ülés háttámla hátulján. Győződjön meg róla, hogy felül kezd el meghúzni a hevedert, majd alul folytatja.
- Ne használjon tisztítószereket. Csak enyhe szappannal és vízzel tisztítsa.
- A [2d] üléspárnák tisztítás céljából eltávolíthatók a pótkocsiból. Az ülőhelyeket kézzel massa ki vagy hideg gépi mosással rövid centrifugálási ciklussal.
- Tárolás előtt hagyja, hogy a koci teljesen megszáradjon tárolás előtt, így megakadályozzák a penészesedést.
- Ha a koci balesetet szenvedett vagy megsérült, vegye fel a kapcsolatot a forgalmazóval, hogy ellenőrizze, vajon továbbra is használható-e.
- Minden olyan fontos alkatrész, mint: vonórúd, összekötő eszköz, keret, biztonsági övek, világítóberendezések, gumiabroncsok és kerekek stb. a biztonság érdekében rendszeresen ellenőrizze, hogy a csavarozott részegységek megfelelően vannak-e meghúzva.

## GARANCIA

A Hamax Traveller multifunkcionális gyermekkocsi a vásárlás napjától garanciával rendelkezik. A jótállási idő az adott ország törvényeitől függ. A garancia az anyag- vagy a gyártási hibákra vonatkozik, és nem terjed ki a nem rendeltetésszerű használatból, a karbantartás hiányából, a felhasználói kézikönyv be nem tartásából, az erőteljes használatból vagy a normál kopásból eredő károokra. A garancia csak az eredeti felhasználóra érvényes. Kérjük, figyelmesen olvassa el a használati és karbantartási ajánlásokat. A garancia nem terjed ki azokra a feltételekre, amelyek a koci korai kopását okozhatják. Ha a kocsi szervizelést igényel, vagy szavatossági igényt kíván benyújtani, vegye fel a kapcsolatot a helyi kereskedővel, ahol a kocsiját vásárolta.



## AZ ELEMEKKEL KAPCSOLATOS ÁLTALÁNOS UTASÍTÁSOK

- A nem tölthető elemeket tilos tölteni.
- A tölthető elemeket töltés előtt távolítsa el a termékből.
- Különböző típusú elemeket, valamint használt és új elemeket nem szabad együtt, ugyanabban a termékben használni.
- Csak a meghatározott típusnak megfelelő vagy azzal egyenértékű elemeket használjon.
- Ügyeljen arra, hogy megfelelő polaritással helyezze be az elemeket.
- Az áramellátó csatlakozókat nem szabad rövidre zárni.
- A lemerült elemeket távolítsa el a termékből.
- A lemerült elemeket tilos elégetni, mivel felrobbanhatnak vagy szivároghatnak.

### A lemerült elemek ártalmatlanításával kapcsolatos információk



Il simbolo riportato sul lato sinistro delle batterie, l'imballaggio o i documenti allegati significa che al  
Az elemek bal oldalán, a csomagoláson vagy a mellékelt dokumentumokon található szimbólum azt jelzi, hogy az elemeket élettartamuk végén nem szabad a háztartási hulladékba dobni. A szemetes alatt esetlegesen szereplő betűk azt jelzik, hogy az elem ólmat (Pb), kadmiumot (Cd) vagy higanyt (Hg) tartalmaz. Önnek mint fogyasztónak törvény által előírt kötelessége, hogy minden fajta elemet (az újratölthetőket és a nem tölthetőket is), beleértve a gombaelemeket is, helyi gyűjtőpontokon vagy kiskereskedelmi egységeken adjon le. Ez a leadás díjmentes. A helyes ártalmatlanítás lehetővé teszi az értékes erőforrások újrahasznosítását, és megelőzi az emberekre és a környezetre gyakorolt negatív hatásokat.

### A használt elektromos és elektronikai termékek ártalmatlanításával kapcsolatos információk



A terméken, a csomagoláson vagy a mellékelt dokumentumokon található szimbólum azt jelzi, hogy a terméket élettartama végén nem szabad a háztartási hulladékba dobni. Önnek mint fogyasztónak törvény által előírt kötelessége, hogy az elektromos és elektronikai termékeket leadja az elektronikai berendezések helyi gyűjtőpontján. Ez a leadás díjmentes. A hulladékként kezelés előtt vegye ki az elemeket a termékből. A helyes ártalmatlanítás lehetővé teszi az értékes erőforrások újrahasznosítását, és megelőzi az emberekre és a környezetre gyakorolt negatív hatásokat. További információkért forduljon a helyi hatóságokhoz vagy a termék eladójához.

# RO Mulțumim pentru că ați ales transportorul multifuncțional pentru copil Traveller de la Hamax

Remorcă multifuncțională de bicicletă pentru transport copil, inclusiv cuplajul de roată.

Felicități pentru achiziționarea transportorului multifuncțional pentru copii Traveller de la Hamax. Vă puteți transporta copilul într-un mod sigur și confortabil folosind Traveller de la Hamax pe post de remorcă pentru bicicletă și cărucior. Vă rugăm să citiți cu atenție instrucțiunile înainte de a asambla sau de a folosi Traveller de la Hamax. Vă dorim dumneavoastră și copilului dumneavoastră multe călătorii plăcute!

Păstrați aceste instrucțiuni într-un loc sigur, pentru a le folosi mai târziu.

## Specificații

- Consultați specificațiile din imaginea [A]
- Dimensiuni în stare pliată (incl. apărătoarele de roată): 100 x 74 x 30 cm
- Greutate remorcă (remorcă complet asamblată incl. braț bicicletă): 13 kg
- \*\*Pentru a verifica încărcătura tractabilă, măsurați greutatea la capătul brațului bicicletei în timp ce remorca este încărcată cu pasageri și încărcătură. Puteți măsura stând pe un cântar, păstrând în minte greutatea proprie. Stați pe un cântar cu brațul de bicicletă în mâini. Asigurați-vă că țineți brațul bicicletei la înălțimea corectă. Scădeți greutatea dumneavoastră proprie, iar rezultatul este încărcătura tractabilă.

A



### Viteza de tractare

Viteza recomandată: 16km/h / 10mph  
Viteza maximă: 24km/h / 15mph



### Încărcătura tractabilă\*\*

Min: 0kg / 0lb  
Max: 8kg / 17,5lb



### Cerințe fizice

Vârsta minimă: 6 luni. Max. 22kg / 48,5lb  
Înălțimea max a copilului: 117cm / 3,83ft



### Capacitate portantă

Încărcătura maximă: 47kg / 105lb  
Greutate max copil: 22kg / 48,5lb  
Greutate max incl. remorca: 60kg / 132lb



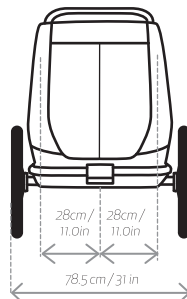
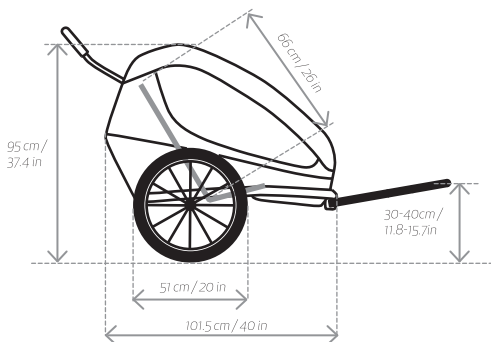
### Bagaje

Maximă: 5kg / 11lb



### Poziția de ședere

Pentru 1 sau 2 copii



## DIRECTIVE DE SIGURANȚĂ

# AVERTISMENTE

- **Important**– CITIȚI CU ATENȚIE ȘI PĂSTRAȚI ACEST DOCUMENT PENTRU CONSULTARE ULTERIOARĂ
- Acest produs este conform standardelor europene și americane pentru remorci de bicicletă pentru transport copii și cărucioare: EN 15918:2011+A2:2017, EN 1888-2:2018,
- Acest scaun de cărucior nu este adecvat pentru copii mai mici de 6 luni.
- Această unitate cu scaun nu este potrivită pentru copii care nu pot sta fără asistență sau care nu au suficientă forță în gât. Dacă aveți dubii, discutați cu un medic pediatru.
- A nu se utiliza cu copii care depășesc limitările de greutate.
- Nu lăsați niciodată copilul nesupraveheat.
- Evitați răniile grave provocate prin cădere sau alunecare. Utilizați întotdeauna sistemul de prindere.
- Pasagerii trebuie să poarte mereu o cască potrivită și aprobată.
- În SUA, consultați Standardul de Securitate CPSC pentru căștile de bicicletă.
- Tractarea unei remorci va afecta stabilitatea bicicletei și va mări distanța de frânare.
- Această remorcă este mai lată decât o bicicletă. Permiteți o distanță mai mare și fiți conștient de faptul că cercul de întoarcere este mai larg.
- Înainte de fiecare călătorie, asigurați-vă că remorca atașată nu afectează frânarea, pedalarea sau conducerea bicicletei.
- Nu permiteți corpului copilului sau vreunei piese de vestimentație, șireturi sau jucării să intre în contact cu părțile mobile.
- Nu instalați un scaun de mașină sau orice alt dispozitiv de ședere neaprobat de către producător.
- Nu aduceți modificări remorcii.
- Nu mergeți niciodată cu bicicleta pe timp de noapte fără un iluminat adecvat. Respectați toate cerințele locale privind iluminatul.
- Un reflector care respectă reglementările CPSC va fi vizibil în spatele remorcii.
- Verificați presiunea anvelopei înainte de utilizare. Umflați întotdeauna anvelopele până la nivelul specificat pe anvelopele externe.
- Nu utilizați detergenți cu conținut de solvenți. Curățați numai cu apă și săpun.
- Nerespectarea instrucțiunilor producătorului poate duce la vătămări grave sau la decesul pasagerului/biciclistului.
- Nu lăsați copilul să se joace cu acest produs.
- Asigurați-vă că toate dispozitivele de blocare sunt închise înainte de a utiliza produsul.
- Asigurați-vă că este activată frâna de parcare atunci când vă introduceți și când vă scoateți copiii.
- Pentru a evita rănirea copilului, asigurați-vă că acesta este la distanță atunci când pliați și depiați acest produs
- Acest produs nu este recomandat a fi utilizat în timp ce alergați sau vă plimbați pe role.
- Nu folosiți accesorii care nu sunt aprobate de către producător.
- Se vor utiliza numai piese de schimb furnizate sau recomandate de către producător/distribuitor.
- Fiți conștient de pericolele de expunere, cum ar fi răcoarea provocată de vânt și extenuarea cauzată de căldură, fie în cazul pasagerilor mai puțin activi expuși prelungit la temperaturi mai reci, sau perioadelor extinse de temperaturi mai ridicate, fără o ventilație sau hidratare corespunzătoare.
- Utilizarea neintenționată poate duce la situații periculoase. Hamax nu este responsabil pentru nicio daună cauzată de utilizarea neintenționată. Orice utilizare neintenționată se face pe riscul utilizatorului.
- Închideți capacul frontal atunci când folosiți remorca pentru bicicletă.
- Nu atașați nicio încărcătură barei de împingere, deoarece aceasta va afecta stabilitatea remorcii.

- Nu depozitați bagaje în zonele din interiorul sau exteriorul remorcii care nu sunt compartimente pentru bagaje, deoarece aceasta afectează stabilitatea remorcii.
- Nu uitați să îndepărtați cuplajul de roată când mergeți cu bicicleta

### Siguranța bicicletei

Înainte de a conecta remorca pentru bicicletă la bicicleta dumneavoastră, asigurați-vă că bicicleta este adecvată pentru tractarea unei remorci conform instrucțiunilor producătorului și că este echipată cu frâne care funcționează bine. Se recomandă ca bicicleta folosită pentru tractarea remorcii să se supună unui test efectuat de un mecanic pentru biciclete calificat, înainte de a se atașa remorca. Remorcile de biciclete trase de un EPAC pot fi restricționate prin lege.

### Comportamentul în deplasare

Atunci când tractați o remorcă, bicicleta dumneavoastră se comportă mai greu și răspunde mai greu datorită greutății adăugate. Familiarizați-vă cu acest comportament exersând cu o remorcă încărcată într-o zonă liniștită, înainte de a intra cu pasageri pe drumuri publice aglomerate.

Fiți conștienți de faptul că, datorită greutății remorcii, bicicleta dumneavoastră are o distanță de frânare mai mare. Fiți prudenți când coborâți pante, căci bicicleta dumneavoastră va prinde viteză mai mare.

Nu depășiți viteza maximă specificată în acest manual și încetiniți atunci când virați sau pe drumuri accidentate. Evitați deplasarea peste pietre, borduri sau alte obstacole care pot cauza răsturnarea remorcii. Folosirea remorcii pe vreme nefavorabilă și în condiții de drum și trafic nefavorabile poate genera situații de nesiguranță. Fiți întotdeauna rezonabil atunci când decideți dacă condițiile sunt sigure pentru folosirea remorcii.

### Vizibilitate ridicată

Pentru vizibilitate optimă și siguranță în trafic, transportorul multifuncțional are reflectoare frontale (albe), la spate (roșii) și la roți (portocalii). Tubulatură reflectorizantă este introdusă în țesătura exterioră. Atunci când folosiți transportorul pe post de remorcă pentru bicicletă, trebuie și să folosiți și stegulețul portocaliu de siguranță, pentru o vizibilitate și mai bună [8]. Utilizați lampa spate inclusă, consultați [16].

### Scopul utilizării

- Remorca este destinată transportării copiilor pe drumurile publice cu trafic redus, pe trotuare și poteci drepte, așa cum este specificat în acest manual. Hamax consideră că fiind utilizare neconformă folosirea remorcii în oricare dintre următoarele feluri, incluzând dar nelimitându-se la:
  - deplasarea cu viteză excesivă
  - deplasarea în condiții de străzi cu denivelări
  - folosirea remorcii în scopuri comerciale
  - transportarea animalelor
  - depozitarea bagajelor în zonele din interiorul și exteriorul remorcii, altele decât în compartimentul pentru bagaje al remorcii
  - tractarea remorcii de vehicule motorizate
  - nerespectarea instrucțiunilor din acest manual

## PORNIREA - INSTALAREA

### [1] Conținutul ambalajului

- Corpul remorcii (1x) [1a]
- Cuplaj rapid roată (2x) [1b]
- Braț bicicletă (1x) [1c]
- Steag de siguranță (1x) [1d]
- Roată cărucior (1x) [1e]
- Manualul utilizatorului Hamax Traveller (1x)

### [2] Vedere de ansamblu produs

- Bară de împingere [2a]
- Buzunar capac frontal [2b]
- Capac frontal [2c]
- Perne scaun [2d]
- Prindere roată cărucior [2e]
- Frână de parcare [2f]
- Apărătoare roată [2g]
- Prindere braț bicicletă [2h]
- Mâner de eliberare bară de împingere [2i]
- Spătar scaun spate [2j]
- Spațiu de depozitare [2k]

### [3] Atașarea dispozitivului de atașare la bicicleta dumneavoastră

- Îndepărtați cuplajul rapid sau bucușă [3a] de pe partea stângă a axei roții din spate a bicicletei dumneavoastră. Amplasați dispozitivul de atașare [3b] între cuplajul rapid sau bucușă și cadru. Puneți la loc cuplajul rapid sau bucușă și strângeți conform instrucțiunilor producătorului bicicletei.
- Orientați dispozitivul de atașare spre în spate. Mențineți aliniamentul / unghiul dintre dispozitivul de atașare și brațul bicicletei cât mai drept posibil.

### [4] Montați apărătoarele de roată

- Amplasați cele două apărătoare de roată [4a] în cele 2 orificii din laterala cadrului. Strângeți șurubul [4b] de jos, din interiorul cadrului. Folosiți șurubelnița pentru șuruburi cu hexagon interior livrată cu apărătoarele de roată.

### [5] Desfacerea remorcii

- Prindeți cadrul de spate [5a] din interiorul compartimentului de depozitare din spate [2k] și trageți-l în spate. În timp ce faceți asta, puteți împinge în față partea de sus a cadrului [5b].
- Blocajele de îndoire [6a] cuplează automat și auziți un clic.
- Verificați să fie blocat mecanismul de îndoire, încercând să împingeți în față cadrul din spate.
- Introduceți bara de împingere [5c] în elementul de conectare al barei de împingere [12a], apăsați butoanele barei de împingere [12b] și împingeți bara de împingere în continuare, până când se blochează. Amplasați bara de împingere în poziția cea mai ridicată atunci când mergeți cu bicicleta [12c].

### [6] Plierea remorcii

- Îndepărtați bara de împingere în timp ce apăsați butoanele [12].
- Trageți ambele blocaje de îndoire [6a] și împingeți spre în față cadrul, până când se pliază.
- Împingeți ușor cadrul de sus în jos, în poziție pliată, și pliați materialul textil în remorcă.

### [7] Montarea roților cu cuplaje rapide

- Asigurați-vă că nu este activată frâna de parcare [2f] și că axul de roată [7a] este curat.
- Apăsați butonul [7b] și inserați axul de roată în racord. Verificați că roata este fixată sigur, trăgând de roată.

### [8] Montarea stegulețului de siguranță

- Amplasați lancea stegulețului [8a] în orificiul [8b] de lângă bara de împingere. Dacă este necesar, deschideți compartimentul pentru bagaje pentru a găsi orificiul pentru lancea stegulețului. Amplasați lancea stegulețului pe laterale remorcii pentru bicicletă care este cel mai expus la șosea.

## UTILIZARE

### [9] Folosirea roții de cărucior

- Pentru atașare: Inserați fusul roții de cărucior [1e] în elementul de cuplare frontal pentru cărucior [9a]. Trageți de roata de cărucior, pentru a verifica dacă este securizată conexiunea.
- Pentru îndepărtare: Apăsați butonul [9b] pentru a debloca și a trage roata de cărucior [1e] afară din elementul de cuplare frontal [9a].
- Când mergeți cu căruciorul, puteți depozita brațul pentru bicicletă [1c] într-o poziție din spate, în elementul de fixare a brațului pentru bicicletă [10a] [19]. Nu folosiți butonul pentru brațul bicicletei [10b] în această poziție.

### [10] Atașarea brațului pentru bicicletă la remorcă

- Glisați brațul pentru bicicletă [1c] în elementul de fixare a brațului pentru bicicletă [10a].
- Apăsați butonul brațului pentru bicicletă [10b] și împingeți brațul înăuntru mai departe, până se blochează.
- Inserați fusul de blocare [10c], pentru a face o conexiune sigură. Rotiți cârligul fusului de blocare [10c] spre spate și îndoiți-l peste el însuși. Trageți de brațul pentru bicicletă pentru a verifica buna conectare.

### [11] Atașarea brațului pentru bicicletă la bicicletă

- Atașați în siguranță bara de tracțiune & chingile de siguranță înainte de utilizare. Asigurați-vă că remorca nu este încărcată atunci când o atașați & detașați la/de la bicicleta dumneavoastră.
- Glisați brațul pentru bicicletă în prindere [11a]. Inserați bolțul de fixare [11b] prin orificiul din brațul pentru bicicletă și închideți-l. Verificați să fie fixat în siguranță brațul pentru bicicletă, trăgând de brațul pentru bicicletă. Înfășurați chingă de siguranță în jurul cadrului bicicletei și fixați cârligul de placa triunghiulară [11c].
- Asigurați-vă că puneți chingă de siguranță în jurul suportului de lanț [11d] sau a suportului de scaun [11e] al cadrului bicicletei dumneavoastră.

**SFAT:** Când nu folosiți brațul pentru bicicletă îl puteți depozita în remorcă

**SFAT:** Dacă chinga de siguranță este prea lungă, o puteți înfășura de două ori în jurul cadrului, pentru a vă asigura că aceasta nu intervine asupra niciunei părți mobile a roții din spate.

### [12] Ajustarea barei de împingere [2a]

- Scoateți bara de împingere [2a] împingând fusurile de blocare ale barei de împingere [12b] de pe fiecare parte și trăgând afară bara de împingere.
- Ajustați bara de împingere 180 grade către poziția joasă [12d] sau ridicată [12c] dorită.
- Introduceți bara de împingere [5c] în elementul de conectare al barei de împingere [12a], apăsați butoanele barei de împingere [12b] și împingeți bara de împingere în continuare, până când se blochează. Amplasați bara de împingere în poziția cea mai ridicată atunci când mergeți cu bicicleta [12c].

### [13] Folosirea frânei de parcare

- Pentru activare: Împingeți pârghia frânei de parcare [13a] în jos, până când butonul [13b] iese afară și pârghia este blocată. Este posibil să trebuiască să mișcați puțin înainte și înapoi remorca, pentru ca bolțul frânei de lângă roată să-și găsească orificiul. Verificați mereu că este activată frâna, împingând remorca.
- Pentru decuplare: Apăsați butonul de decuplare [13b] cu vârful piciorului și pârghia [13a] se rotește în sus..

#### [14] Capace frontale și parasolar

- Traveller are 3 capace frontale: un capac din plastic [14a], un capac din plasă [14b] și un parasolar suplimentar [14d]. Capacul din plastic și din plasă se pot fixa la bază folosind cârligele de deasupra de cadru [14c].
- Pentru a fixa parasolarul, folosiți piesele cu scai [14e]: 4 pentru lungimi scurte sau 6 pentru lungimi mari. Pentru a scurta parasolarul [14d], împăturiți-l și fixați piesele cu scai de la bază de cele de la vârful [14f].
- Când nu se folosesc, capacele se vor depozita în buzunar [14g]. Închideți buzunarul folosind nasturii, pentru a evita căderea capacelor în timpul deplasării.

#### [15] Ham de siguranță cu 5 puncte

- Așezați-vă capilul și ghidați brațele acestuia prin deschiderea dintre centura de umăr [15a] și cea de la talie [15b]. Verificați să fie aliniată chingile la umerii capilului dumneavoastră. Ajustați înălțimea, glisând în sus sau în jos cataramele [15e] de deasupra tetierei.
- Conectați cele două catarami de centură de umăr una de cealaltă și inserați-le în catarama centrală [15c] de pe chinga pentru coapse [15d] până când simțiți că sunt prinse. Reduceți lungimea chingii pentru coapse și a centurilor de umăr, astfel încât capilul dumneavoastră să fie bine fixat. Verificați ca hamul de siguranță să fie blocat bine, trăgând de ambele centuri de umăr.

#### [16] Montarea lămpilor

- Amplasați lămpile pe lateralele remorcii care este cel mai expus la stradă.
- Spate: Atașați lumina roșie la bara de împingere [16]. Amplasați-o pe laterala care este cea mai expusă la trafic.

## ÎNGRIJIREA ȘI ÎNTREȚINEREA

### Înainte de folosirea remorcii, verificați

- Roțile sunt securizate adecvat la remorcă.
- Anvelopele sunt umflate conform presiunii din anvelopă specificate
- Remorca este complet desfăcută și mecanismul este blocat pe ambele părți. Nu uitați să blocați bara de împingere.
- Spătarul scaunului din spate este bine asigurat și fixat. Vă rugăm să consultați capitolul de întreținere.
- Stegulețul de siguranță și lămpile sunt la locul lor de fiecare dată când sunt necesare.

### Depozitarea

- Este recomandat să depozitați remorca Traveller în spații închise, într-o zonă uscată și bine ventilată, protejată de lumina solară directă.

**SFAT:** Pentru o mai bună protecție, este disponibil un capac de depozitare Hamax.

### Întreținere

- [17] Frâna de parcare [2f]: Dacă nu cuplează frâna asupra ambelor roți, sau dacă aceasta nu decuplează (atunci roata face un zgomot de scrâșnit), trebuie să ajustați cablurile frânei de parcare folosind elementele de ajustare [18a] de pe fiecare parte de roată, de sub remorcă.
- Remorca de biciclete Traveller dispune de un capac schimbabil, fixat cu scai în buzunarul de deasupra deschiderii din față.
- Cuplajul de roată buggy [2e]: Dacă este murdărie în interiorul cuplajului de roată [2e], spălați-l cu apă.
- Spătar scaune [2j]: Pentru o ședere confortabilă și sigură, strângeți în mod regulat chingile [18] de la spatele spătarului. Asigurați-vă că strângeți chingile mai întâi sus, apoi jos.
- Nu utilizați detergenți cu conținut de solvenți. Curățați numai cu apă și săpun.
- Pernele scaunelor [2d] se pot îndepărta din remorcă pentru a se curăța. Spălați scaunul cu mâna sau folosind o mașină de spălat la rece cu un ciclu de centrifugare scurt.
- Permiteți remorcii să se usuce complet înainte de a o depozita, pentru a evita formarea de mușci.
- În cazul în care remorca este implicată într-un accident sau este deteriorată, contactați distribuitorul pentru a verifica dacă mai poate fi folosită.
- Toate componentele importante pentru siguranță, precum: bara de ghidare, dispozitivul de conectare, cadrul, centurile de siguranță, echipamentul de iluminat, anvelopele și roțile etc.; verificare regulată dacă sunt bine strânse îmbinările cu șurub.

## GARANȚIA

Căruciorul multifuncțional pentru transport copii Hamax Traveller este garantat începând cu data achiziției. Perioada de garanție depinde de legislația țării în cauză. Garanția se aplică defectelor de materiale sau de fabricație și nu acoperă daunele cauzate de utilizarea neconformă, lipsa întreținerii, nerespectarea manualului utilizatorului, aplicarea forței sau uzura normală. Garanția este valabilă numai pentru utilizatorul original. Vă rugăm să citiți cu grijă recomandările de utilizare și de întreținere. Condițiile care duc la uzura prematură a căruciorului este posibil să nu fie acoperite de garanție. În cazul în care căruciorul va necesita service, sau dacă veți dori să solicitați garanția, contactați distribuitorul local de la care ați achiziționat căruciorul.

## INSTRUCȚIUNI GENERALE PENTRU BATERII

- Bateriile nereîncărcabile nu este voie să se reîncarce.
- Îndepărtați bateriile reîncărcabile din obiect înainte de a le reîncărca.
- A nu se utiliza împreună, pe același obiect, diferite tipuri de baterii sau baterii vechi și noi.
- Se vor folosi numai bateriile de același tip sau de tip similar cu cel specificat.
- Vă rugăm să vă asigurați că bateriile sunt inserate cu polaritatea corectă.
- Terminalele de alimentare nu este voie să se scurtcircuiteze.
- Îndepărtați bateriile goale din obiect.
- Nu este permis să se ardă bateriile goale, deoarece acesta ar putea exploda sau s-ar putea scurge.

### Informație referitoare la eliminarea ca deșeu a bateriilor descărcate



Simbolul reprezentat pe partea strângă a bateriilor, ambalarea documentelor atașate, semnifică faptul că bateriile nu trebuie să se elimine ca deșeu împreună cu deșeurile menajere, la sfârșitul ciclului lor de viață. Literele care poate sunt adăugate sub pubela de gunoi semnifică faptul că bateria conține plumb (Pb), cadmiu (Cd) sau mercur (Hg). Dumneavoastră, în calitate de consumator, sunteți obligat prin lege să predați toate tipurile de baterii (atât reîncărcabile, cât și nereîncărcabile), inclusiv bateriile tip buton, centrelor locale de colectare sau magazinelor de desfacere. Aceasta nu se face contra cost. Eliminarea corectă ca deșeu face posibilă reciclarea resurselor de valoare și evită efectele negative posibile asupra oamenilor și mediului înconjurător.

### Informație referitoare la eliminarea ca deșeu a produselor electrice și electronice vechi



Simbolul reprezentat pe produs, ambalarea documentelor atașate, semnifică faptul că produsul nu trebuie să se elimine ca deșeu împreună cu deșeurile menajere, la sfârșitul ciclului lui de viață. Dumneavoastră, în calitate de consumator, sunteți obligat prin lege să predați produsele electrice și electronice la centrul local de colectare de echipament electronic. Aceasta nu se face contra cost. Vă rugăm să scoateți bateriile înainte de a elimina ca deșeu produsul. Eliminarea corectă ca deșeu face posibilă reciclarea resurselor de valoare și evită efectele negative posibile asupra oamenilor și mediului înconjurător. Pentru informații suplimentare vă rugăm să contactați autoritatea locală sau vânzătorul produsului.

# LV Paldies, ka izvēlējāties Hamax Traveller daudzfunkcionālo bērnu pārvadātāju!

Apsveicam ar pirkumu — daudzfunkcionālo velosipēdu bērnu pārvadātāju Hamax Traveller. Izmantojot Hamax Traveller kā velosipēda piekabi un ratiņus, jūs varat droši un ērti transportēt bērnu. Pirms pārvadātāja Hamax Traveller samontēšanas vai izmantošanas uzmanīgi izlasiet norādījumus. Mēs novēlam jums un jūsu bērniem daudz patīkamu braucienu!

Glabājiet šos norādījumus drošā vietā, lai tos vēlāk izmantotu.

## Specifikācijas

- Skatiet specifikācijas [A] attēlā
- Izmēri salocītā veidā (ieskaitot riteņu aizsargus): 100 x 74 x 30 cm
- Svars piekabe (pilnībā samontēta piekabe ar velosipēda stieni): 13 kg
- \*\*\*Lai pārbaudītu jūgstieņa slodzi, izmēriet svaru velosipēda stieņa galā, kad piekabē atrodas pasažieri un krava. Jūs varat to izmērit, stāvot uz svariem; atcerieties savu svaru. Stāviet uz svariem ar velosipēda stieni rokās. Pārlicinieties, vai velosipēda stienis ir pareizajā augstumā. Atskaitiet savu svaru, un rezultāts ir jūgstieņa slodze.

A



**Vilkšanas ātrums**  
Ieteicamais ātrums: 16 km/h  
Maksimālais ātrums: 24 km/h



**Jūgstieņa slodze\*\***  
Min.: 0 kg  
Maks.: 8 kg



**Fiziskās prasības**  
Minimālais vecums: 6 mēneši. Max 22kg  
Maksimālais bērna augums: 117 cm



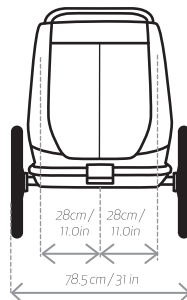
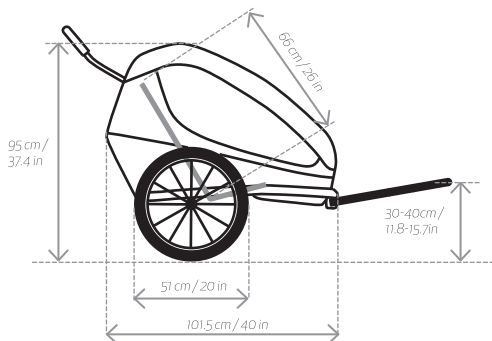
**Celtpēja**  
Maksimālā slodze: 47 kg  
Maksimālais bērna svars: 22 kg  
Maksimālais svars, ieskaitot piekabi: 60 kg



**Bagāža:**  
Maks. 5 kg



**Sēdvietas**  
1 vai 2 bērniem





## DROŠĪBAS VADLĪNIJAS

# BRĪDINĀJUMI

- **Svarīgi!** – Pirms lietošanas uzmanīgi izlasiet šo instrukciju, un vēlāk to turiet pa rokai, lai būtu kur ieskatīties.
- Svarīgi — saglabājiet šīs instrukcijas turpmākai atsaucei.
- Šis izstrādājums atbilst Eiropas un Amerikas standarta *piekabēm* ratiņiem: EN 15918:2011+A2:2017, EN 1888-2:2018, ASTM F 1975-15, ASTM F 833-15.
- Šis sēdekļis nav paredzēts bērnam līdz sešu mēnešu vecumam
- Šis sēdekļa bloks nav piemērots bērniem, kuri nevar sēdēt bez palīdzības vai kuriem nav pietiekami stiprs kakls. Lūdzu, konsultējieties ar pediatru, ja rodas šaubas.
- Nelietot kopā ar bērniem, kas pārsniedz svara ierobežojumus.
- Neatstājiet bērnu bez uzraudzības
- Izvairieties no nopietniem ievainojumiem, nokrītot vai izslidot. Vienmēr lietojiet aizsardzības sistēmu.
- Pasažieriem vienmēr jābūt pareizi uzvilktai un apstiprinātai ķiverai.
- ASV skat. CPSC drošības standartu velosipēdistu ķiverēm.
- Piekabes vilkšana ietekmē velosipēda stabilitāti un palielina bremsēšanas ceļu.
- Šī piekabe ir platāka nekā velosipēds. Ievērojiet lielāku distanci un ņemiet vērā, ka nepieciešams lielāks pagrieziena rādiuss.
- Pirms katra brauciena pārliedzieties, ka pievienotā piekabe netraucē bremsēt, griezt pedāļus vai vadīt velosipēdu.
- Neļaujiet bērna ķermenim vai apģērbam, apavu auklām vai rotaļlietām saskarties ar kustīgajām daļām.
- Neuzstādiat automašīnas sēdekli vai citus sēdekļus, kas nav ražotāja apstiprināti.
- Nepārveidojiet piekabi.
- Nekad nebrauciet ar velosipēdu naktī bez atbilstoša apgaismojuma. Ievērojiet visas vietējās likumdošanas prasības attiecībā uz apgaismojumu.
- Piekabes aizmugurē jābūt redzamam atstarotājam, kas atbilst CPSC noteikumiem.
- Pirms lietošanas pārbaudiet riepu spiedienu. Vienmēr piepumpējiet riepas līdz ārējām riepām noteiktajam gaisa spiedienam.
- Nelietojiet tīrīšanas šķīdinātājus. Notīriet tikai ar maigām ziepēm un ūdeni.
- Neievērojot ražotāja instrukcijas, pasažierim/braucējam var tikt izraisīti nopietni ievainojumi vai iestāties nāve.
- Neļaujiet bērnam spēlēties ar šo izstrādājumu..
- Pirms lietošanas noteikti jāiedarbina visas bloķējošās ierīces.
- Pārliedzieties, vai stāvbremze ir ieslēgta, ievietojot un izceļot bērnus.
- Lai nepieļautu traumu risku, atlokot un salokot šo izstrādājumu bērnam noteikti jāatrodas drošā atstatumā no tā.
- Šis izstrādājums nav piemērots skriešanai vai slidošanai..
- Nelietojiet piederumus, kurus ražotājs nav apstiprinājis.
- Jāizmanto tikai rezerves daļas, kuras piegādājis ražotājs vai izplatītājs.
- Ņemiet vērā iedarbības riskus, piemēram, vēja dzestrumu un pārkaršanu, vai nu ar mazāk aktīviem piekabes pasažieriem ilgstošā apstarošanā aukstākā temperatūrā, vai ar ilgāku periodu siltākās temperatūrās bez atbilstošas ventilācijas vai hidratācijas.
- Neparedzēta lietošana var izraisīt bīstamas situācijas. Hamax nav atbildīgs par neparedzētas lietošanas radītiem bojājumiem. Par jebkādu neparedzētu izmantošanu ir atbildīgs lietotājs.
- Izmantojot velosipēda piekabi, aizveriet priekšējo pārsegu.
- Nepievienojiet uz stūres stieņa kravas, jo tas ietekmēs piekabes stabilitāti.
- Neglabājiet bagāžu piekabes iekšpusē vai ārpusē, izņemot bagāžas nodalījumu, jo tas ietekmē piekabes stabilitāti.

- Braucot ar velosipēdu, neaizmirstiet noņemt ratiņu riteni

### Velosipēdu drošība

Pirms velosipēda piekabes pievienošanas velosipēdam pārliecinieties, ka velosipēds ir piemērots piekabes vilkšanai saskaņā ar velosipēda ražotāja norādījumiem un ka tas ir aprīkots ar labi funkcionējošām bremzēm. Pirms piekabes pievienošanas velosipēdam, kuram tiks pievienota piekabe, ieteicams veikt kvalificēta velosipēdu mehāniķa drošības pārbaudi. Velosipēdu piekabes, kuras veļ EPAC, var ierobežot ar likumu.

### Braukšana

Piekabes vilkšanas laikā velosipēds ir smagāks un mazāk reaģējošs pievienotā svara dēļ. Iepazīstieties ar šīm īpatnībām pirms došanās uz koplietošanas ceļiem ar pasažieriem, izmēģinot piekrautu piekabi mierīgākā vietā.

Nemiet vērā, ka piekabes svara dēļ jūsu velosipēdam ir lielāks bremzēšanas ceļš. Braucot lejup no kalna, esiet piesardzīgs, jo velosipēds strauji palielinās ātrumu.

Nepārsniedziet šajā rokasgrāmatā noteikto maksimālo ātrumu un pagrieziena laikā un uz nelīdzeniem ceļiem piebremzējiet.

Izvairieties braukt pāri akmeņiem, apmalēm vai citiem šķēršļiem, kas var izraisīt piekabes apgāšanos. Izmantojot piekabi nelabvēlīgos laika apstākļos, uz ceļa vai satiksmes apstākļos, var rasties nedrošas situācijas. Pieņemot lēmumu par piekabes lietošanas drošību, vienmēr izmantojiet labāko apdomu.

### Liela redzamība

Lai nodrošinātu optimālu redzamību un drošību satiksmē, daudzfunkcionālajam pārvadātājam ir priekšējie (balti), aizmugurējie (sarkani) un riteņu (oranži) atstarotāji. Atstarojošās caurules ir integrētas ārējā apvalkā. Izmantojot pārvadātāju kā velosipēda piekabi, vēl labākai redzamībai ir jāpiemēro arī oranžais drošības karodziņš [8]. Izmantojiet aizmugurējo lukturi, kas ir iekļauts komplektācijā, skat. [16].

### Paredzētā izmantošana

- Piekabe ir paredzēta bērnu pārvadāšanai, kā norādīts šajā rokasgrāmatā, pa koplietošanas ceļiem ar nelielu satiksmi, ietvēm un gludām takām. Hamax piekabes izmantošanu citā veidā uzskata par neparedzētu, ieskaitot, bet ne tikai:
- braukšana ar pārmērīgu ātrumu
- braukšana bezceļa apstākļos
- piekabes izmantošana komerciāliem mērķiem
- dzīvnieku pārvadāšana
- bagāžas novietošana piekabes iekšpusē vai ārpusē, izņemot piekabes bagāžas nodalījumu
- piekabes vilkšana ar motorizētiem transportlīdzekļiem
- šajā rokasgrāmatā sniegto norādījumu neievērošana

## SĀKŠANA — UZSTĀDĪŠANA

### [1] Iepakojuma saturs

- Piekabes korpuss (1x) [1a]
- Ātrās noņemšanas ritenis (2x) [1b]
- Velosipēda stienis (1x) [1c]
- Drošības karodziņš (1x) [1d]
- Bērnu ratiņi (1x) [1e]
- Lietotāja rokasgrāmata Hamax Traveller (1x)

### [2] Produktu pārskats

- Stumšanas stienis [2a]
- Priekšējā pārsega kabata [2b]
- Priekšējais pārsegs [2c]
- Sēdekļu polsterējumi [2d]
- Ratiņu riteņa stiprinājums [2e]
- Stāvbremze [2f]
- Riteņa aizsargs [2g]
- Velosipēda stieņa stiprinājums [2h]
- Stumšanas stieņa atbrīvošanas rokturis [2i]
- Sēdekļa atzveltnes aizmugure [2j]
- Bagāžas nodalījums [2k]

### [3] Sakabes piestiprināšana velosipēdam

- Noņemiet ātrās atlaišanas mehānismu vai uzgriezni [3a] no velosipēda aizmugurējā riteņa ass kreisās puses. Novietojiet sakabi [3b] starp ātrās atlaišanas mehānismu vai uzgriezni un rāmi. Atkal pievienojiet un pievelciet mehānismu vai uzgriezni saskaņā ar velosipēda ražotāja norādījumiem.
- Pavērsiet sakabi uz aizmuguri. Saglabājiet izlīdzinājumu/leņķi starp sakabi un velosipēda stieni iespējami taisni.

### [4] Riteņu aizsargu uzstādīšana

- Ievietojiet abus riteņu aizsargus [4a] 2 atverēs rāmja sānos. Piestipriniet skrūvi [4b] no apakšas rāmja iekšpusē. Izmantojiet kopā ar riteņu aizsargiem piegādāto L veida atslēgu.

### [5] Piekabes atlocīšana

- Satveriet aizmugurējo rāmi [5a] aizmugurējā bagāžas nodalījuma iekšpusē [2k] un velciet to atpakaļ. To darot, varat virzīt augšējo rāmi [5b] uz priekšu.
- Salocīšanas fiksatori [6a] fiksējas automātiski, un ir dzirdama klikšķa skaņa.
- Pārliecinieties, vai salokāmais mehānisms ir bloķēts, mēģinot virzīt aizmugurējo rāmi uz priekšu.
- Ievietojiet stumšanas stieni [5c] stumšanas stieņa savienojumā [12a], spiediet stumšanas stieņa pogas [12b] un virziet stieni

tālāk, līdz tas nofiksējas. Braucot ar velosipēdu, novietojiet stumšanas stieni tā augstākajā pozīcijā [12c].

#### [6] **Piekabes salocīšana**

- Noņemiet stumšanas stieni, vienlaikus spiežot pogas [12].
- Pavelciet abus salocīšanas fiksatorus [6a] un pabīdīet rāmi uz priekšu, līdz tas salokās.
- Viegli saspiediet augšējo rāmi uz leju tā salocītā stāvoklī un ielokiet audumus piekabē.

#### [7] **Ātrās atlaišanas riteņu uzstādīšana**

- Nodrošiniet, ka stāvbremze nav aktivizēta [2f] un riteņa ass [7a] ir tīra.
- Nospiediet spiedpogu [7b] un ievietojiet riteņa asi ligzdā. Velkot riteņi, pārliecinieties, ka riteņi ir droši nostiprināti.

#### [8] **Drošības karodziņa uzstādīšana**

- Ievietojiet karoga kātu [8a] caurumā [8b] pie stumšanas stieņa. Ja nepieciešams, atveriet bagāžas nodalījumu, lai atrastu karoga kāta caurumu. Ievietojiet karoga kātu tajā velosipēda piekabes pusē, kas atrodas ceļa pusē.

## **LIETOŠANA**

#### [9] **Bērnu ratiņu izmantošana**

- Lai piestiprinātu: ievietojiet ratiņu riteņa tapu [1e] ratiņu priekšējā savienojumā [9a]. Pavelciet ratiņu riteņi, lai pārliecinātos par drošu savienojumu.
- Lai noņemtu: nospiediet pogu [9b], lai atbloķētu, un izvelciet ratiņu riteņi [1e] no priekšējā savienojuma [9a].
- Izmantojot ratiņus, velosipēda stieni [1c] var uzglabāt atpakaļvērstā pozīcijā velosipēda stieņa stiprinājumā [10a] [19]. Neizmantojiet velosipēda stieņa pogu [10b] šajā pozīcijā.

#### [10] **Velosipēda stieņa pievienošana piekabī**

- Iebīdīet velosipēda stieni [1c] velosipēda stieņa stiprinājumā [10a].
- Nospiediet velosipēda stieņa pogu [10b] un turpiniet iebīdīt stieni, līdz tas nofiksējas.
- Ievietojiet bloķēšanas tapu [10c], lai izveidotu drošu savienojumu. Grieziet bloķēšanas tapas āķi [10c] uz aizmuguri un nofiksējiet to. Pavelciet velosipēda stieni, lai pārliecinātos par drošu savienojumu.

#### [11] **Velosipēda stieņa stiprināšana pie velosipēda**

- Pirms lietošanas droši piestipriniet piekares stieni un drošības siksnu. Pievienojot to velosipēdam un atvienojot, pārliecinieties, ka piekabe ir tukša.
- Uzbidīet velosipēda stieni uz sakabes [11a]. Caur velosipēda stieņa caurumu ievietojiet stiprinājuma tapu [11b] un aizveriet to. Velkot velosipēda stieni, pārliecinieties, ka tas ir droši nostiprināts. Aptiniet drošības siksnu ap velosipēda rāmi un piestipriniet āķi pie trīsstūrveida plāksnes [11c].
- Pārliecinieties, ka drošības siksnā ir ievietota ap velosipēda rāmja ķēdes balstiem [11d] vai sēdekļa balstiem [11e].

**PADOMS:** ja nelietojat velosipēda stieni, varat to uzglabāt piekabē

**PADOMS:** ja drošības siksnā ir pārāk gara, varat to divreiz apvilkt ap rāmi, lai pārliecinātos, ka siksnā netraucē nevienam aizmugures riteņa daļu.

#### [12] **Stumšanas stieņa [2a] noregulēšana**

- Izņemiet stumšanas stieni [2a], abās pusēs spiežot stumšanas stieņa bloķēšanas tapas [12b], un izvelciet stieni.
- Regulējiet stumšanas stieni 180 grādu diapazonā līdz vēlamajai zemākajai [12d] vai augstākajai pozīcijai [12c].
- Ievietojiet stumšanas stieni [5c] stumšanas stieņa savienojumā [12a], spiediet stumšanas stieņa pogas [12b] un virziet stieni tālāk, līdz tas nofiksējas. Braucot ar velosipēdu, novietojiet stumšanas stieni tā augstākajā pozīcijā [12c].

#### [13] **Stāvbremzes lietošana**

- Lai aktivizētu: nospiediet stāvbremzes sviru [13a] uz leju, līdz poga [13b] izlec un svira tiek nofiksēta. Iespējams, piekabi vajadzēs nedaudz pārvietot uz priekšu un atpakaļ, lai bremses tapa atrastu atveri pie riteņa. Vienmēr pārbaudiet, vai bremses ir aktivizētas, pabīdot piekabi.
- Lai deaktivizētu: nospiediet atlaišanas pogu [13b] ar pēdas purngalu, un svira [13a] griezīsies uz augšu.

#### [14] **Priekšējie pārsegi un saulesargs**

- Traveller piekabī ir 3 pārsegi: plastmasas pārsegs [14a], tikla pārsegs [14b] un papildu saulesargs [14d]. Plastmasas un tikla pārsegi var nostiprināt piekabes apakšā, izmantojot āķus, kas atrodas tieši virs rāmja [14c].
- Lai fiksētu saulesargu, izmantojiet velcro lentes elementus [14e]: 4, atlokot īsojā variantā, vai 6, atlokot pilnā garumā. Lai saīsinātu saulesargu [14d], salokiet to un piestipriniet apakšējos velcro lentes elementus augšējiem velcro lentes gabaliem [14f].
- Kad pārsegi netiek izmantoti, tos var uzglabāt kabatā [14g]. Aizveriet kabatu, izmantojot pogas, lai pārsegi brauciena laikā neizkristu.

#### [15] **5 punktu drošības jostas**

- Apsēdiniet bērnu un izvadiet rokas caur atveri starp plecu [15a] un jostasvietu [15b]. Pārbaudiet, vai plecu siksnas ir izlīdzinātas ar bērna pleciem. Pielāgojiet augstumu, bīdot sprādzes [15e] virs galvas balsta uz augšu vai uz leju.

- Savienojiet abas plecu siksnas sprādzes kopā un ievietojiet tās vidējā sprādzē [15c] uz kājstarpes siksnas [15d], līdz jūtat, ka tā nofiksējas. Samaziniet kājstarpes siksnas garumu un plecu jostas, lai bērns būtu droši piestiprināts. Pārlicinieties, vai drošības jostas ir nofiksētas, velkot abas plecu jostas.

#### [16] Lukturu uzstādīšana

- Novietojiet lukturus tajā piekabes pusē, kas atrodas ceļa pusē.
- Aizmugurē: pievienojiet sarkano lukturi pie stumšanas stieņa [16]. Novietojiet to tajā pusē, kas atrodas ceļa pusē.

## APKOPE UN UZTURĒŠANA

### Pirms piekabes izmantošanas pārbaudiet

- Riteņi ir pienācīgi nostiprināti pie piekabes.
- Riepas ir piepūstas atbilstoši noteiktajam spiedienam riepās
- Piekabe ir pilnībā atlocīta, un mehānisms ir bloķēts abās pusēs. Neaizmirstiet nobloķēt stumšanas stieni.
- Sēdekļa atzveltnē ir labi nostiprināta un pievilkta. Lūdzu, skatiet apkopes sadaļu.
- Kad vien nepieciešams, drošības karodziņš un gaismas ir uzstādīti.
- Regulāri pārbaudiet, vai svarīgās drošības daļas, piemēram, velosipēda bukses, stumšanas stienis, drošības jostas, ratiņu ritenis un pārējie riteņi, joprojām ir droši nostiprinātas. Regulāri pārbaudiet, vai visas skrūves joprojām ir cieši pieskrūvētas.

### Uzglabāšana

- Traveller piekabi ir ļoti ieteicams uzglabāt telpās, sausā un labi vēdinātā vietā, kur nav tiešu saules staru.

**PADOMS** Iabākai aizsardzībai ir pieejams Hamax uzglabāšanas pārsegs.

### Apkope

- [17] Stāvbremze [2f]: ja bremze netiek aktivizēta abiem riteņiem vai pilnībā netiek deaktivizēta (no riteņa atskan tikšķoša skaņa), ir jāneregulē stāvbremzes troses abās riteņu pusēs zem piekabes, izmantojot uzgriežņu regulētājus [18a].
- Sēdekļa atzveltnē piekabei Traveller ir noņemams priekšējais pārsegs, kas ir piestiprināts ar velcro lenti kabatā virs priekšējās atveres.
- Ratiņu riteņa savienojums [2e]: ja ratiņu riteņa savienojumā [2e] ir netīrumi, skalojiet to ar ūdeni.
- Sēdekļa pamatnes atzveltnē [2j]: lai nodrošinātu ērtu un drošu sēdekli, regulāri pievelciet siksnas [18] sēdekļa atzveltnes aizmugurē. Pārlicinieties, ka sākat to stiprināt augšpusē, pēc tam pievelkot to apakšā.
- Nelietojiet tīrīšanas šķīdinātājus. Notīriet tikai ar maigām ziepēm un ūdeni.
- Tīrīšanas nolūkos sēdekļa polsterējumu [2d] var noņemt no piekabes. Sēdekļus mazgājiet ar rokām vai ar aukstu veļas mazgāšanu ar īsu griešanās ciklu.
- Pirms uzglabāšanas ļaujiet piekabei pilnībā nožūt, lai tā nesāktu pelēt.
- Ja piekabe ir iekļuvusi negadījumā vai ir sabojāta, sazinieties ar tās izplatītāju, lai pārbaudītu, vai to vēl var lietot.
- Visu svarīgo daļu, piemēram: jūgstieņa, savienojošās ierīces, rāmja, drošības jostu, apgaismes ierīču, riepu un riteņu utt. lietošanai droša stāvokļa pārbaude; skrūvju montāžu pievilkuma regulāra pārbaude.

## GARANTĪJA

Hamax Traveller daudzfunkcionālajam bērnu pārvadātājam tiek garantēta garantija no tā iegādes datuma. Garantijas laiks ir atkarīgs no attiecīgās valsts likumiem. Garantija attiecas uz materiālu vai ražošanas defektiem, un tā neattiecas uz bojājumiem nepareizas lietošanas, apkopes trūkuma dēļ, lietotāja rokasgrāmatas neievērošanas, spēka vai normāla lietošanas nodiluma dēļ. Garantija ir spēkā tikai sākotnējam lietotājam. Lūdzu, uzmanīgi izlasiet lietošanas un apkopes ieteikumus. Garantija nevar ietvert nosacījumus, kas var izraisīt priekšlaicīgu pārvadātāja nodilumu. Ja pārvadātājam ir nepieciešama apkope vai vēlaties iesniegt garantijas prasību, lūdzu, sazinieties ar vietējo izplatītāju, no kura iegādājāties savu pārvadātāju.

## VIŠPĀRĪGI NORĀDĪJUMI PAR BATERIJU IZMANTOŠANU

- Nedrīkst uzlādēt baterijas, kas nav paredzētas atkārtotai uzlādēšanai.
- Pirms uzlādes izņemt baterijas no priekšmeta, kurā tās izmantotas.
- Vienā priekšmetā vienlaikus neizmantojot dažādu veidu baterijas, kā arī vecas un jaunas baterijas.
- Jāizmanto tikai baterijas, kas ir tādas pašas vai ekvivalentas norādītajam veidam.
- Ievietojot baterijas, ievērot pareizu polaritāti.
- Starp barošanas spailēm nedrīkst veidot īsslēgumu.
- Izņemt tukšās baterijas no priekšmeta.
- Tukšās baterijas nedrīkst dedzināt, jo tās var eksplodēt, kā arī var noplūst tajās esošās vielas.

### Informācija par izlietoto bateriju utilizēšanu



Simbols bateriju kreisajā pusē, uz iepakojuma vai pievienotajos dokumentos norāda, ka baterijas to darbībā beigās nedrīkst utilizēt kopā ar sadzīves atkritumiem. Ja zem atkritumu tvertnes redzami burti, tie norāda, ka baterija satur svina (Pb), kadmiju (Cd) vai dzīvsudrabu (Hg). Saskaņā ar likumu patērētājam ir pienākums visu veidu baterijas (gan atkārtoti uzlādējamās, gan neuzlādējamās), tostarp pogveida baterijas, nodot vietējās savākšanas vietās vai mazumtirzniecības vietās. Tas iespējams bez maksas. Pareiza utilizēšana ļauj atkārtoti izmantot vērtīgus resursus un izvairīties no nelabvēlīgas ietekmes uz cilvēkiem un vidi.

### Informācija par veco elektrisko un elektronisko ierīču utilizēšanu



Simbols uz preces, uz iepakojuma vai pievienotajos dokumentos norāda, ka ierīci tās darbībā beigās nedrīkst utilizēt kopā ar sadzīves atkritumiem. Saskaņā ar likumu patērētājam ir pienākums nodot elektriskās un elektroniskās ierīces vietējā elektronisko iekārtu savākšanas vietā. Tas iespējams bez maksas. Pirms ierīces utilizēšanas izņemiet no tās baterijas. Pareiza utilizēšana ļauj atkārtoti izmantot vērtīgus resursus un izvairīties no nelabvēlīgas ietekmes uz cilvēkiem un vidi. Lai iegūtu plašāku informāciju, sazinieties ar vietējos atbildīgo iestādi vai ierīces piegādātāju.



Hamax ID:  
H1801 Rev. 017, User Manual Traveller

**Hamax AS**  
Vålerveien 159  
N-1599 Moss  
Norway

Tel.: +47 69 23 38 38  
email: [info@hamax.no](mailto:info@hamax.no)  
[www.hamax.com](http://www.hamax.com)